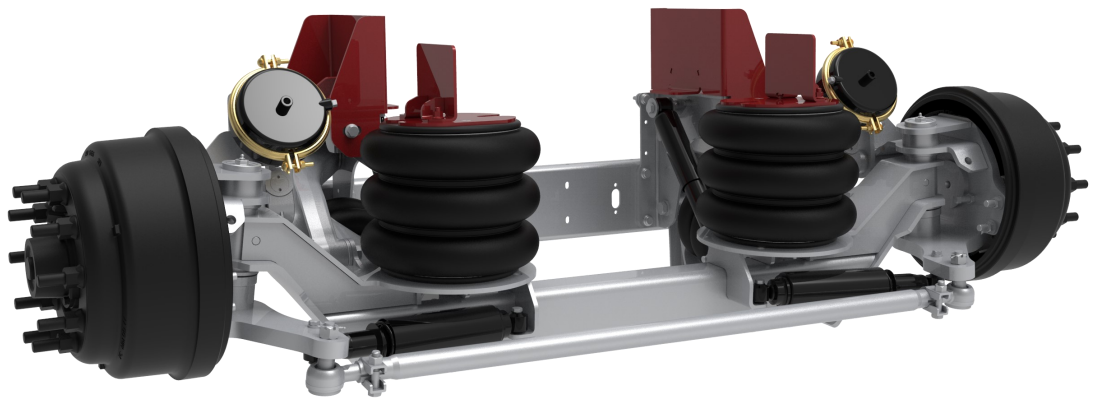




SPECIFICATIONS ORDER GUIDE SERVICE KITS AND PARTS

20K Auxiliary Suspension



The Link 20K Auxiliary Suspension is a lightweight, 20,000 pound capacity, self-steering lift axle that incorporates several unique features. The patented, interchangeable ride height brackets allow the installer to manage inventory dollars and still have a lift axle available for almost any truck. The improved lift spring geometry of the Link 20K Auxiliary Suspension assures longer life of the lift springs and less downtime for the owner. The compact mounting envelope (22.5") combined with the integrated air control system (optional) saves valuable frame rail space. The separate ride height brackets and pre-plumbed integrated air control kit can save up to 3-5 hours of installation time.

Link Mfg. Ltd.
223 15th St. N.E.
Sioux Center, IA USA
51250-2120
www.linkmfg.com

**QUESTIONS?
CALL CUSTOMER
SERVICE
1-800-222-6283**

SUSPENSION-AXLE, UNITIZED (BASE UNIT)

- 8A000850 AUXILIARY SUSPENSION, 20K
- 8A000852 AUXILIARY SUSPENSION, 20K INTEGRATED AIR

FRAME BRACKET KITS, (CHOOSE ONE)

STANDARD FRAME BRACKETS

- 8A000420 8 - 10 1/2" RIDE HEIGHT (NO SPACER)
- 8A000421 10 - 12 1/2" RIDE HEIGHT (2" SPACER)
- 8A000422 12 - 14 1/2" RIDE HEIGHT (4" SPACER)

TALL FRAME BRACKETS

- 8A000424 8 - 10 1/2" RIDE HEIGHT
- 8A000425 10 - 12 1/2" RIDE HEIGHT
- 8A000426 12 - 14 1/2" RIDE HEIGHT

AIR CONTROL KITS FOR INTEGRATED SUSPENSIONS (CHOOSE ONE)

- 13501023 CONTROL-INTEGRATED-STANDARD
- 13501024 CONTROL-INTEGRATED-SEALED

OPTIONAL AIR CONTROL KITS FOR NON-INTEGRATED SUSPENSION (CHOOSE ONE)

- 13501025 CONTROL-NON-INTEGRATED-STANDARD
- 13501026 CONTROL-NON-INTEGRATED-SEALED

OPTIONAL KITS

- 800A0032 FASTENER KIT 2" FASTENERS
- 800A0305 FASTENER KIT 2 1/2" FASTENERS"
- 13501016 RATIO RELAY VALVE KIT
- 13501029 KIT-AIR TANK

To order your Link 20K Auxiliary Suspension, use the order form on page 2 of this document to assist with your specific selections.

1. Order the Base Unit.
2. Order the Ride Height Bracket Kit.
 - a) Determine the Loaded Tire Radius on the chart.
 - b) Subtract Loaded Tire Radius from Loaded Frame Height to find correct ride height.
3. Greyed out area of table not typically used for 20K applications

$$\text{Loaded Frame Height} - \text{Loaded Tire Radius} = \text{Ride Height}$$

- c) Select the correct Ride Height Bracket part number from the chart from page 5 or 6 depending on your application.
4. Choose the desired Air Control Kit.
5. Select any additional Optional Equipment.
6. Call your Link Manufacturing Sales representative at the number below to place your order.

TUBE TYPE	TUBELESS	ISO (METRIC)	LOADED TIRE RADIUS	DIAMETER
8.25R20	9R22.5	255/80R22.5	18	38.4
		265/75R22.5	18	38.2
		295/70R22.5	18.2	38.7
9.00R20	10R22.5	295/75R22.5	18.5	40.2
		275/80R22.5	19	40.4
	11R22.5	295/80R22.5	19.5	41.9
10.00R20		445/65R19.5	19.5	42.6
		285/75R24.5	19.5	42.7
		315/80R22.5	19.9	42.8
		385/65R22.5	19.5	42.3
11.00R20		275/80R24.5	19.5	41.3
10.00R22	12R22.5		20	42.8
12.00R20	13R22.5	425/65R22.5	20.5	44.5
11.00R22	11R24.5		20.5	44
12.00R22	12R24.5	445/65R22.5	21	45
13.00R20			21.5	46
11.00R24	13R24.5		21.5	46.3
12.00R24			22	47.6

QUICK SPECS

MODEL: 20K

TYPE: SELF-STEER

WEIGHT: 1,300 LBS

CAPACITY: 20,000 LBS

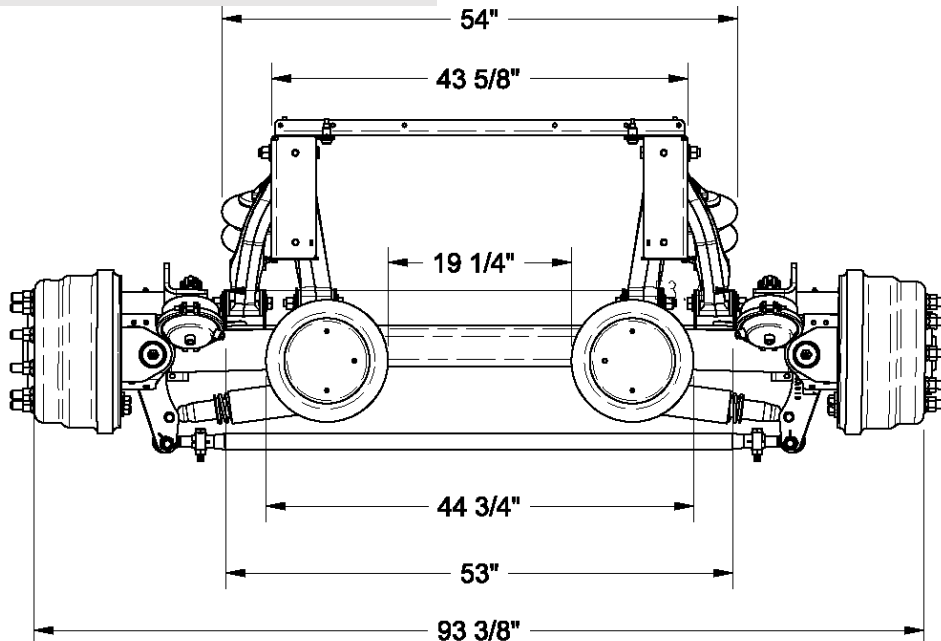
TRAVEL: 12"

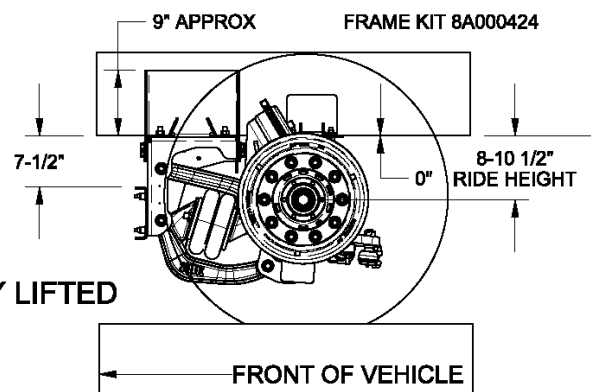
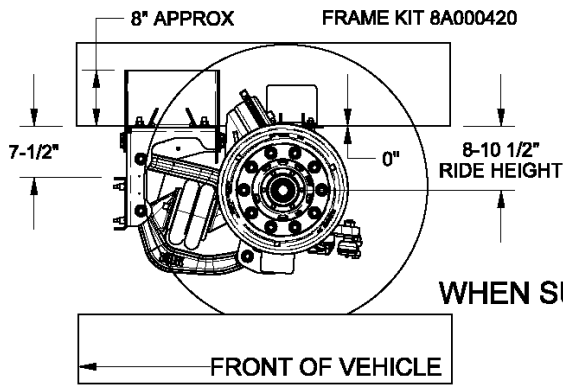
LIFT: 7 - 9 1/2"

RIDE HEIGHT: 8 - 14 1/2"

ENVELOPE: 22 1/2"

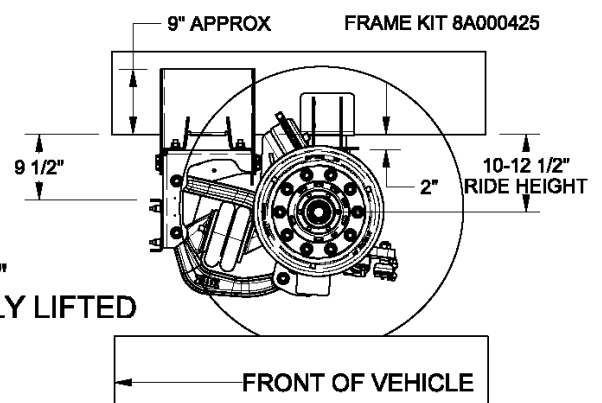
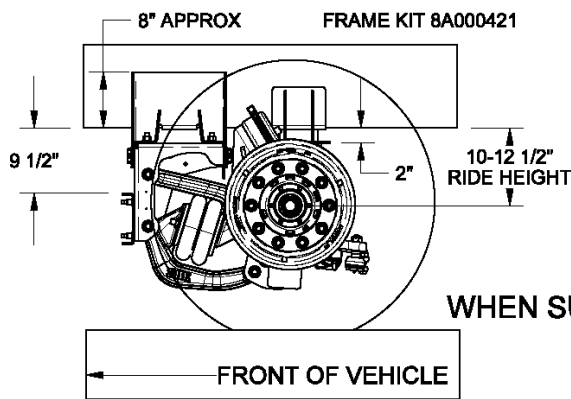
FRAME WIDTH: 33 3/8 - 35"





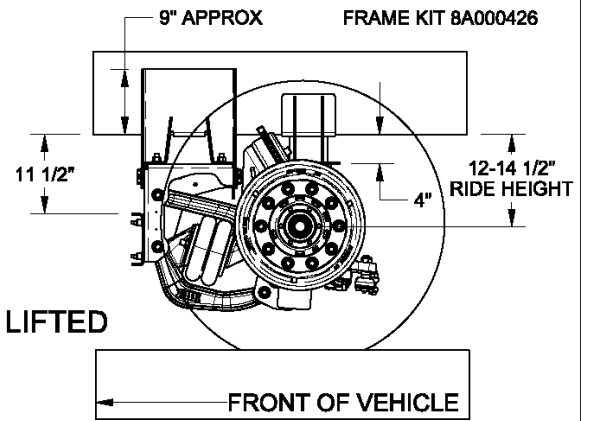
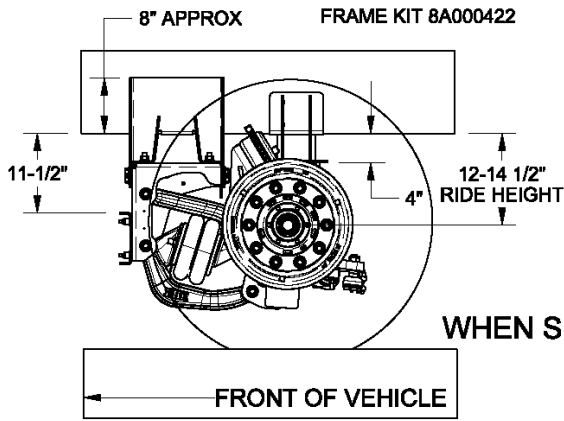
**AXLE DRIVE LINE
CLEARANCE - 6 1/2"
WHEN SUSPENSION IS FULLY LIFTED**

20K LIFT CHART	RIDE HEIGHT 203mm-267mm / 8.0in - 10.5in (FRAME MOUNT KIT 8A000420 OR 8A000424)													
LOADED FRAME HEIGHT	660mm 26.0in	673mm 26.5in	686mm 27.0in	699mm 27.5in	711mm 28.0in	724mm 28.5in	737mm 29.0in	749mm 29.5in	762mm 30.0in	775mm 30.5in	787mm 31.0in	800mm 31.5in	813mm 32.0in	826mm 32.5in
TIRE RADIUS														
18 (LOADED)	178mm 7.0in	191mm 7.5in	203mm 8.0in	216mm 8.5in	229mm 9.0in	241mm 9.5in								
19 (LOADED)			178mm 7.0in	191mm 7.5in	203mm 8.0in	216mm 8.5in	229mm 9.0in	241mm 9.5in						
20 (LOADED)					178mm 7.0in	191mm 7.5in	203mm 8.0in	216mm 8.5in	229mm 9.0in	241mm 9.5in				
21 (LOADED)							178mm 7.0in	191mm 7.5in	203mm 8.0in	216mm 8.5in	229mm 9.0in	241mm 9.5in		
22 (LOADED)									178mm 7.0in	191mm 7.5in	203mm 8.0in	216mm 8.5in	229mm 9.0in	241mm 9.5in



**AXLE DRIVE LINE
CLEARANCE - 8 1/2"
WHEN SUSPENSION IS FULLY LIFTED**

20K LIFT CHART	RIDE HEIGHT 254mm-318mm / 10.0in - 12.5in (FRAME MOUNT KIT 8A000421 OR 8A000425)													
LOADED FRAME HEIGHT	711mm 28.0in	724mm 28.5in	737mm 29.0in	749mm 29.5in	762mm 30.0in	775mm 30.5in	787mm 31.0in	800mm 31.5in	813mm 32.0in	826mm 32.5in	838mm 33.0in	851mm 33.5in	813mm 32.0in	826mm 32.5in
TIRE RADIUS														
18 (LOADED)	178mm 7.0in	191mm 7.5in	203mm 8.0in	216mm 8.5in	229mm 9.0in	241mm 9.5in								
19 (LOADED)			178mm 7.0in	191mm 7.5in	203mm 8.0in	216mm 8.5in	229mm 9.0in	241mm 9.5in						
20 (LOADED)					178mm 7.0in	191mm 7.5in	203mm 8.0in	216mm 8.5in	229mm 9.0in	241mm 9.5in				
21 (LOADED)							178mm 7.0in	191mm 7.5in	203mm 8.0in	216mm 8.5in	229mm 9.0in	241mm 9.5in		
22 (LOADED)									178mm 7.0in	191mm 7.5in	203mm 8.0in	216mm 8.5in	229mm 9.0in	241mm 9.5in

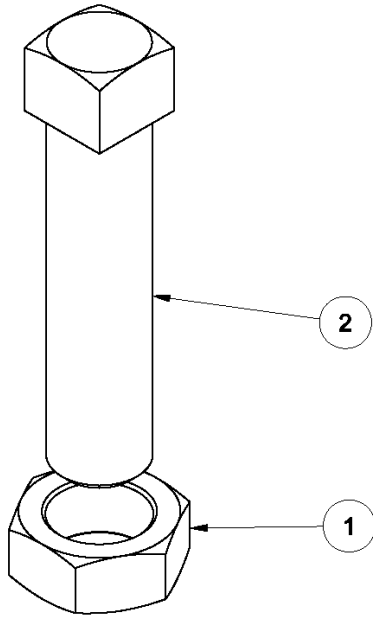


**AXLE DRIVE LINE
CLEARANCE - 10 1/2"
WHEN SUSPENSION IS FULLY LIFTED**

20K LIFT CHART	RIDE HEIGHT 305mm-368mm / 12.0in - 14.5in (FRAME MOUNT KIT 8A000422 OR 8A000426)													
LOADED FRAME HEIGHT	762mm 30.0in	775mm 30.5in	787mm 31.0in	800mm 31.5in	813mm 32.0in	826mm 32.5in	838mm 33.0in	851mm 33.5in	864mm 34.0in	876mm 34.5in	889mm 35.0in	902mm 35.5in	813mm 32.0in	826mm 32.5in
TIRE RADIUS														
18 (LOADED)	178mm 7.0in	191mm 7.5in	203mm 8.0in	216mm 8.5in	229mm 9.0in	241mm 9.5in								
19 (LOADED)			178mm 7.0in	191mm 7.5in	203mm 8.0in	216mm 8.5in	229mm 9.0in	241mm 9.5in						
20 (LOADED)					178mm 7.0in	191mm 7.5in	203mm 8.0in	216mm 8.5in	229mm 9.0in	241mm 9.5in				
21 (LOADED)							178mm 7.0in	191mm 7.5in	203mm 8.0in	216mm 8.5in	229mm 9.0in	241mm 9.5in		
22 (LOADED)									178mm 7.0in	191mm 7.5in	203mm 8.0in	216mm 8.5in	229mm 9.0in	241mm 9.5in

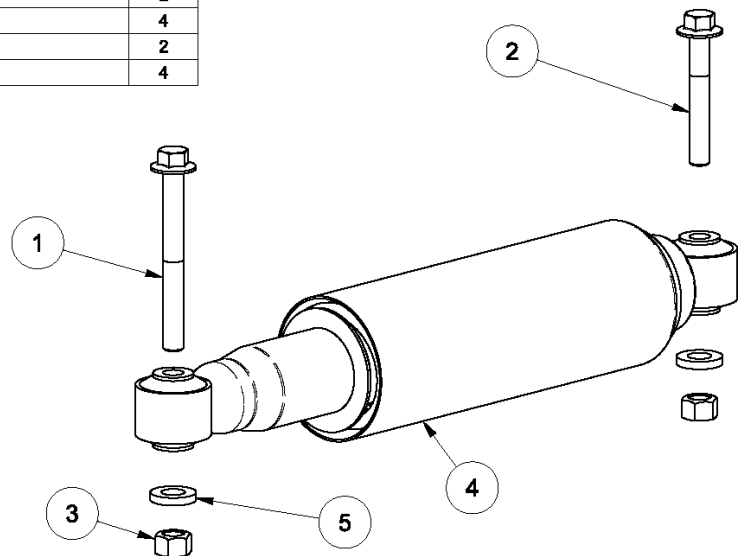
SERVICE ITEMS FOR 20K AUXILIARY SUSPENSION

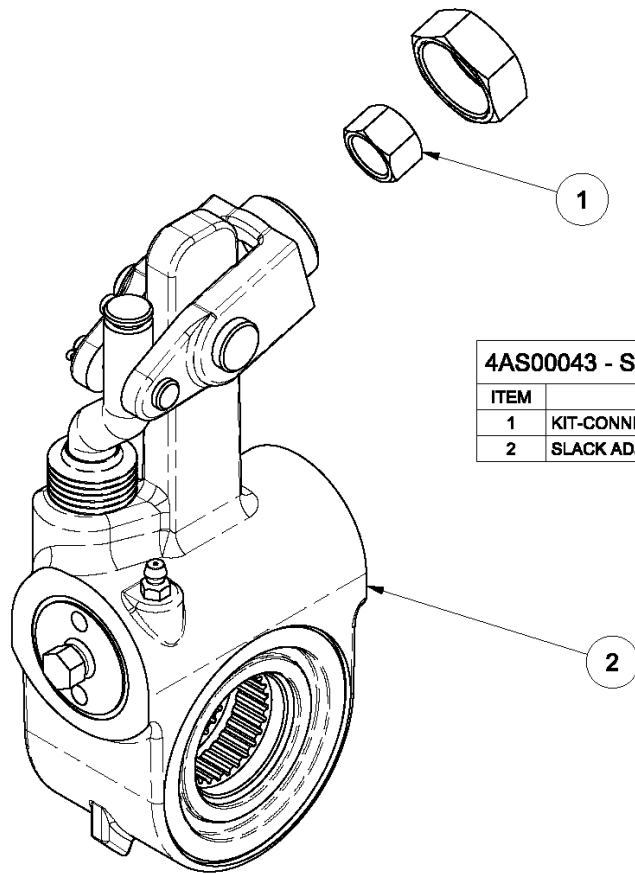
ITEM NUMBER	DESCRIPTION
4AS00022	SERVICE KIT - STEERING STOP BOLT
4AS00023	SERVICE KIT - COMPLETE STEERING STABILIZER
4AS00043	SERVICE KIT - SLACK ADJUSTER
4AS00053	SERVICE KIT - CAMSHAFT-LH
4AS00054	SERVICE KIT - CAMSHAFT-RH
4AS00055	SERVICE KIT - CHAMBER-BRAKE
4AS00056	SERVICE KIT - ASSEMBLY-ROD, TIE
4AS00057	SERVICE KIT - ASSEMBLY HANGER
4AS00058	SERVICE ASSEMBLY - AXLE-FABRICATED
4AS00059	SERVICE ASSEMBLY - KNUCKLE-MACHINED-LH
4AS00060	SERVICE ASSEMBLY - KNUCKLE-MACHINED-RH
4AS00061	SERVICE KIT - TIE ROD END (LH THREAD)
4AS00062	SERVICE KIT - TIE ROD END (RH THREAD)
4AS00063	SERVICE KIT - ASSEMBLY TUBE-TIE ROD
4AS00064	SERVICE KIT - COMPLETE BUSHING
4AS00065	SERVICE KIT - UPPER ARM-LH
4AS00066	SERVICE KIT - UPPER ARM-RH
4AS00067	SERVICE KIT - LOWER ARM-LH
4AS00068	SERVICE KIT - LOWER ARM-RH
4AS00069	SERVICE KIT - LIFT SPRING
4AS00070	SERVICE KIT - LOAD SPRING
4AS00071	SERVICE KIT - COMPLETE KINGPIN
4AS00073	SERVICE KIT - COMPLETE CAM BUSHING AND SEAL
4AS00074	SERVICE KIT - COMPLETE BRAKE
4AS00080	SERVICE KIT - WHEEL NUT
4AS00081	SERVICE KIT - BEARINGS AND SEALS
4AS00082	SERVICE KIT - HUB CAP ASSEMBLY
4AS00083	SERVICE KIT - NUT-PRO-TORQ. 1.75-12
4AS00084	SERVICE KIT - COMPLETE RIDE SHOCK



4AS00022 - SERVICE KIT - STEERING STOP BOLT		
ITEM	DESCRIPTION	QTY
1	5/8 UNC HEX JAM NUT, GR 5	1
2	BOLT-STOP, STEERING, GEOMET	1

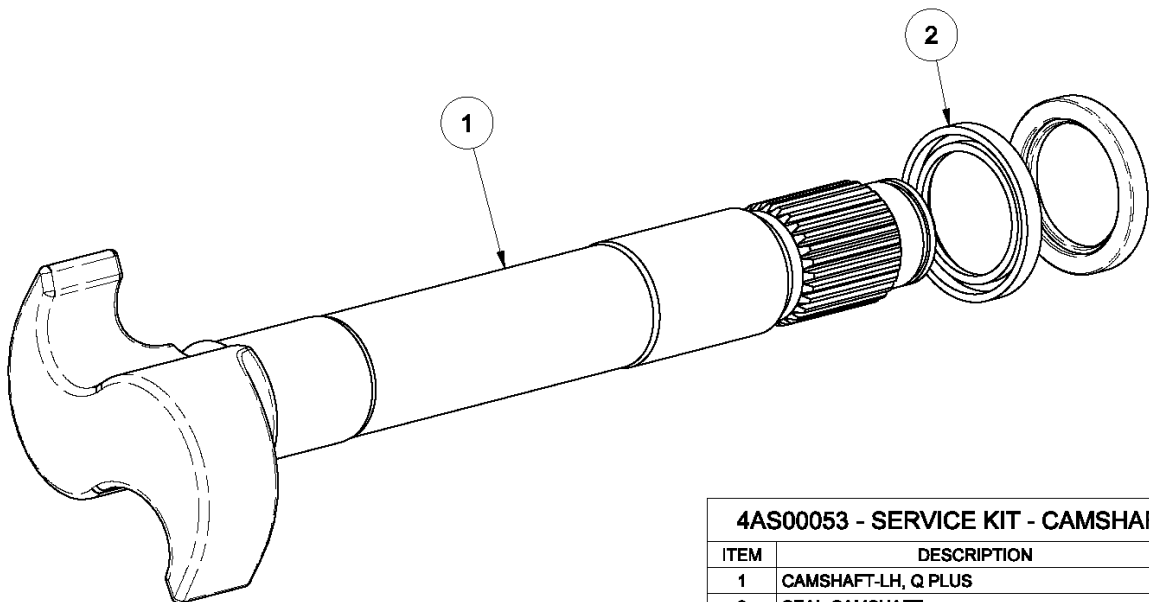
4AS00023 - SERVICE KIT - COMPLETE STEERING STABILIZER		
ITEM	DESCRIPTION	QTY
1	HEX HEAD FLANGE SCREW, M12 X 1.75 X 110, CLASS 10.9	2
2	HEX HEAD FLANGE SCREW, M12 X 1.75 X 80, CLASS 10.9	2
3	HEX TOP LOCK NUT, M12 X 1.75, 10	4
4	SHOCK ABSORBER, WIDE BODY	2
5	WASHER-HARDENED, 12MM	4





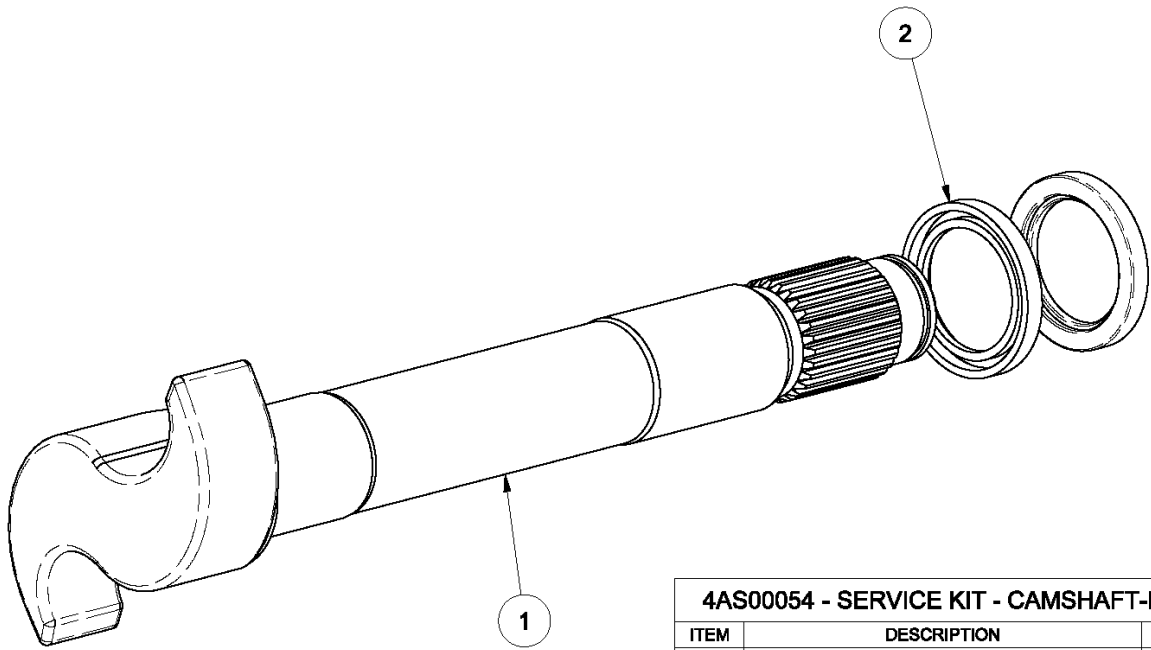
4AS00043 - SERVICE KIT - SLACK ADJUSTER

ITEM	DESCRIPTION	QTY
1	KIT-CONNECTING, SLACK ADJUSTER	1
2	SLACK ADJUSTER-6.50	1



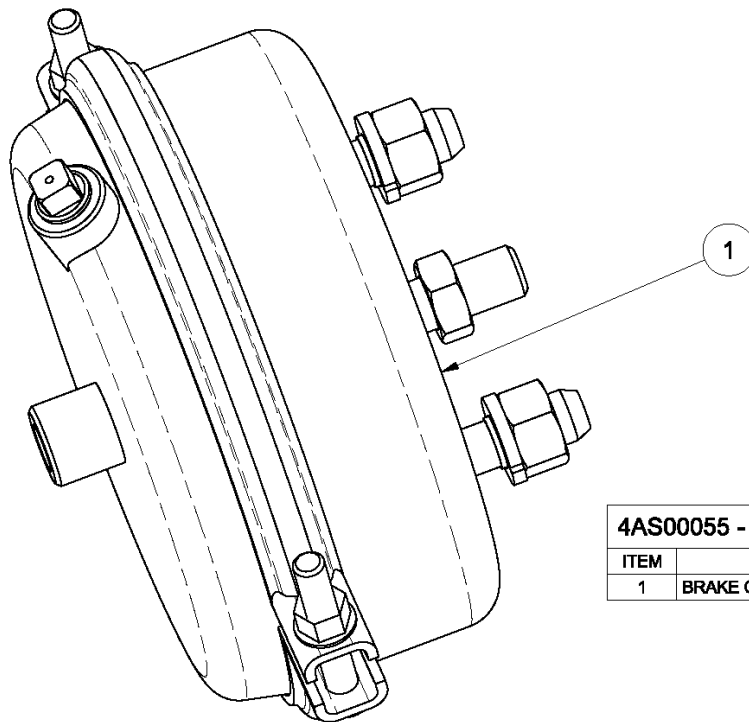
4AS00053 - SERVICE KIT - CAMSHAFT-LH

ITEM	DESCRIPTION	QTY
1	CAMSHAFT-LH, Q PLUS	1
2	SEAL-CAMSHAFT	2



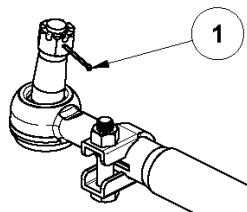
4AS00054 - SERVICE KIT - CAMSHAFT-RH

ITEM	DESCRIPTION	QTY
1	CAMSHAFT-RH, Q PLUS	1
2	SEAL-CAMSHAFT	2



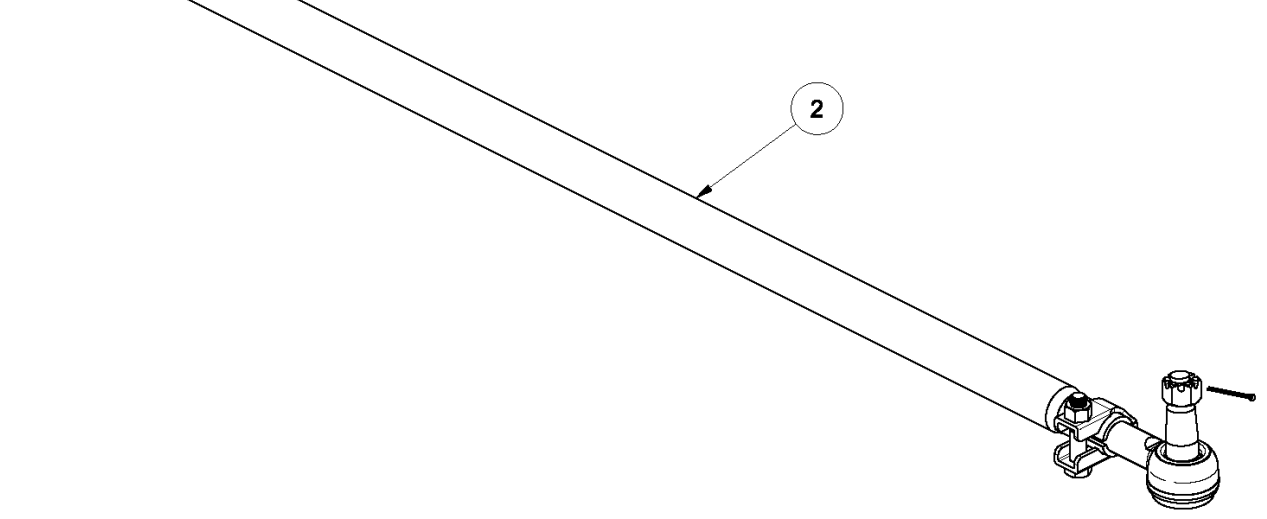
4AS00055 - SERVICE KIT - CHAMBER-BRAKE

ITEM	DESCRIPTION	QTY
1	BRAKE CHAMBER, TYPE 30	1



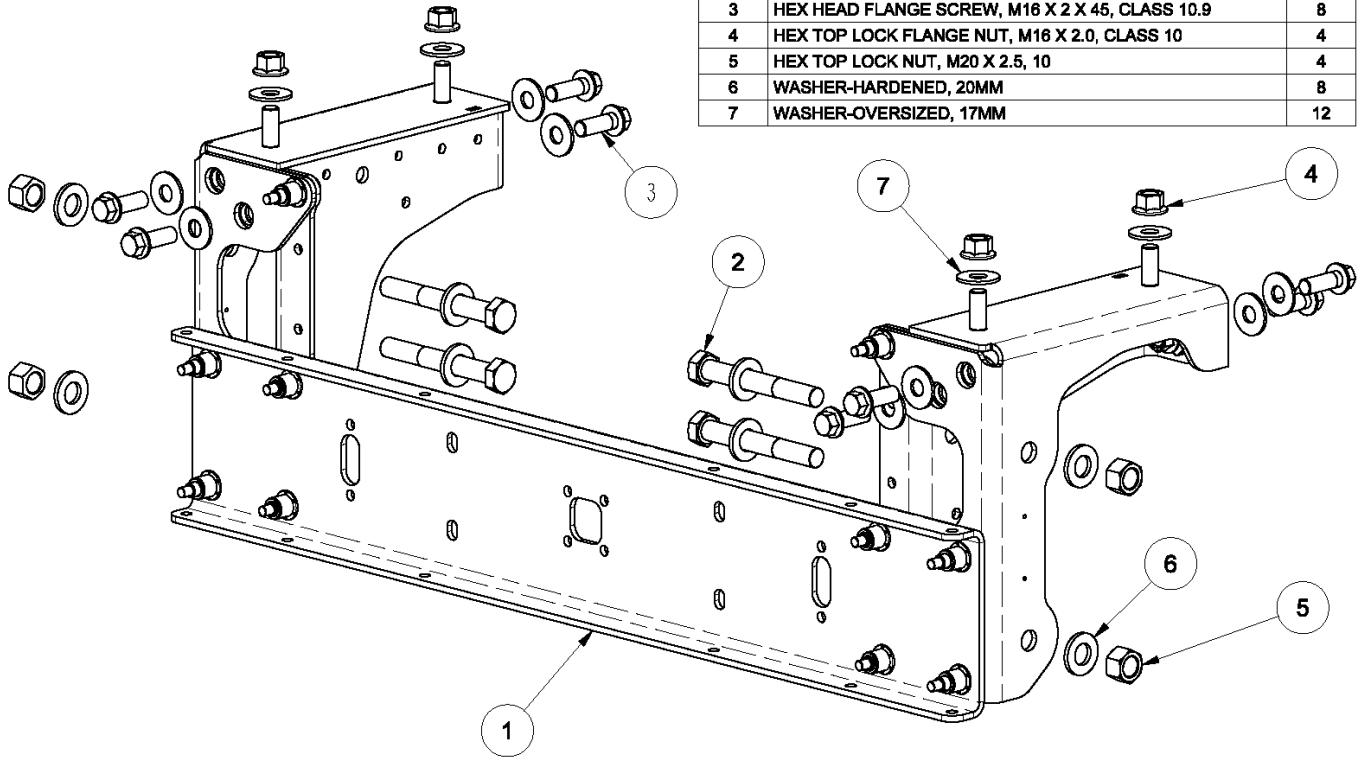
4AS00056 - SERVICE KIT - ASSEMBLY-TIE ROD

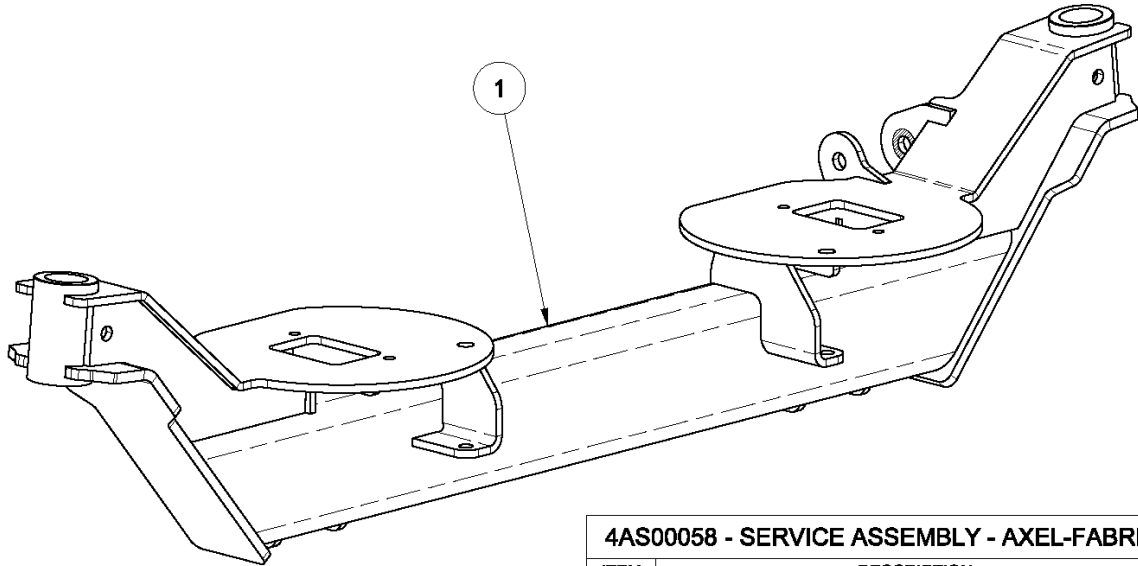
ITEM	DESCRIPTION	QTY
1	PIN-COTTER, .125 X 1.75	2
2	TIE-ROD ASSEMBLY, 20K	1



4AS00057 - SERVICE KIT - ASSEMBLY HANGER

ITEM	DESCRIPTION	QTY
1	HANGER-ASSEMBLY	1
2	HEX CAP SCREW, M20 X 2.5 X 150, CLASS 10.9	4
3	HEX HEAD FLANGE SCREW, M16 X 2 X 45, CLASS 10.9	8
4	HEX TOP LOCK FLANGE NUT, M16 X 2.0, CLASS 10	4
5	HEX TOP LOCK NUT, M20 X 2.5, 10	4
6	WASHER-HARDENED, 20MM	8
7	WASHER-OVERSIZED, 17MM	12



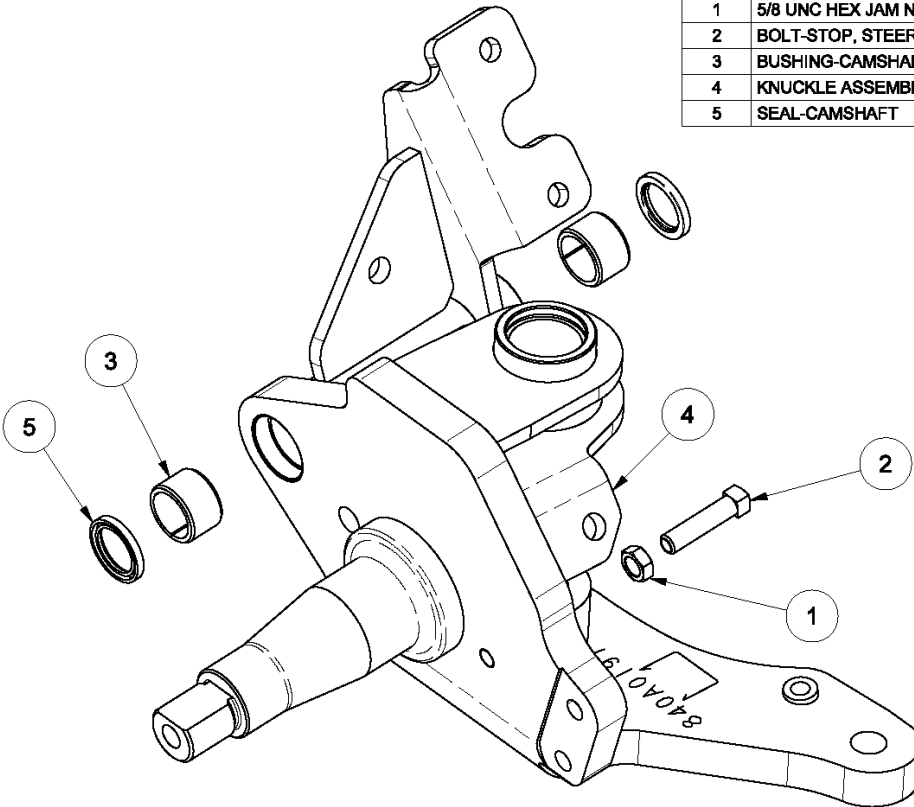


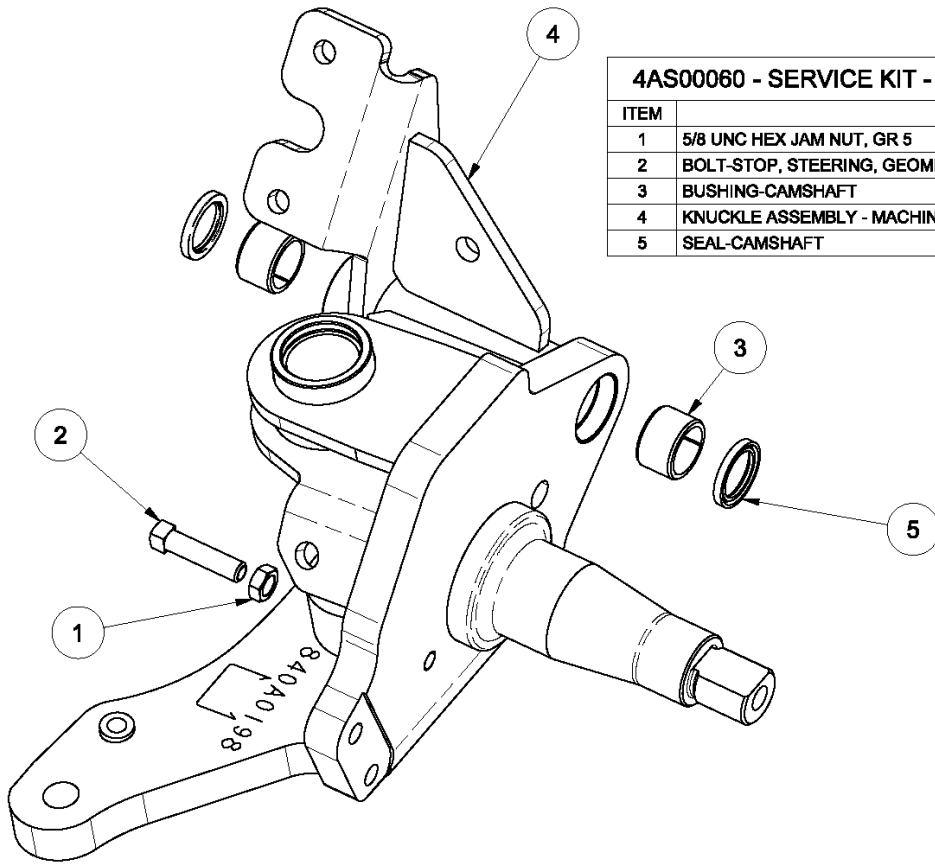
4AS00058 - SERVICE ASSEMBLY - AXEL-FABRICATED

ITEM	DESCRIPTION	QTY
1	AXLE-FABRICATED, 20K	1

4AS00059 - SERVICE KIT - ASSEMBLY KNUCKLE-MACHINED-LH

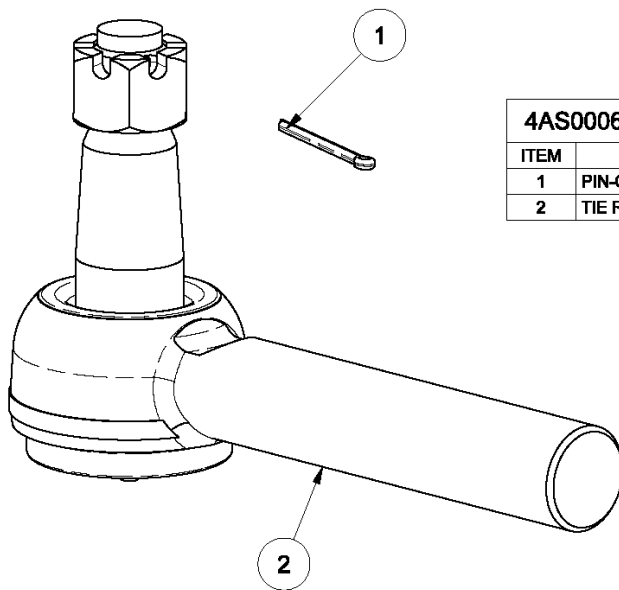
ITEM	DESCRIPTION	QTY
1	5/8 UNC HEX JAM NUT, GR 5	1
2	BOLT-STOP, STEERING, GEOMET	1
3	BUSHING-CAMSHAFT	2
4	KNUCKLE ASSEMBLY - MACHINED, 20K, LH	1
5	SEAL-CAMSHAFT	2





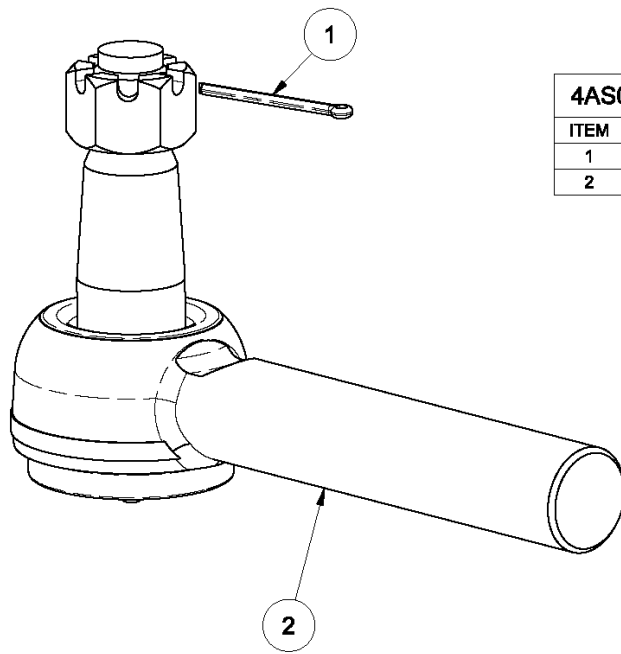
4AS00060 - SERVICE KIT - ASSEMBLY KNUCKLE-MACHINED-RH

ITEM	DESCRIPTION	QTY
1	5/8 UNC HEX JAM NUT, GR 5	1
2	BOLT-STOP, STEERING, GEOMET	1
3	BUSHING-CAMSHAFT	2
4	KNUCKLE ASSEMBLY - MACHINED, 20K, RH	1
5	SEAL-CAMSHAFT	2



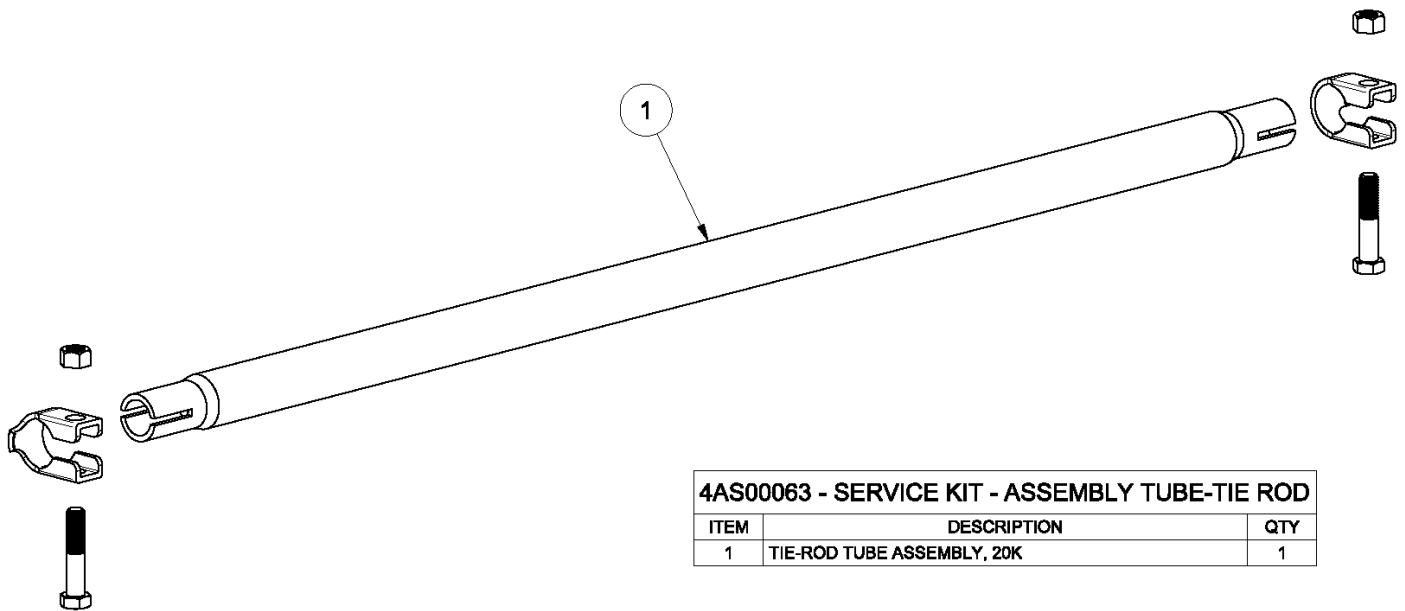
4AS00061 - SERVICE KIT - TIE ROD END (LH THREAD)

ITEM	DESCRIPTION	QTY
1	PIN-COTTER, .125 X 1.75	1
2	TIE ROD END ASSEMBLY-LH WITH CASTLE NUT	1



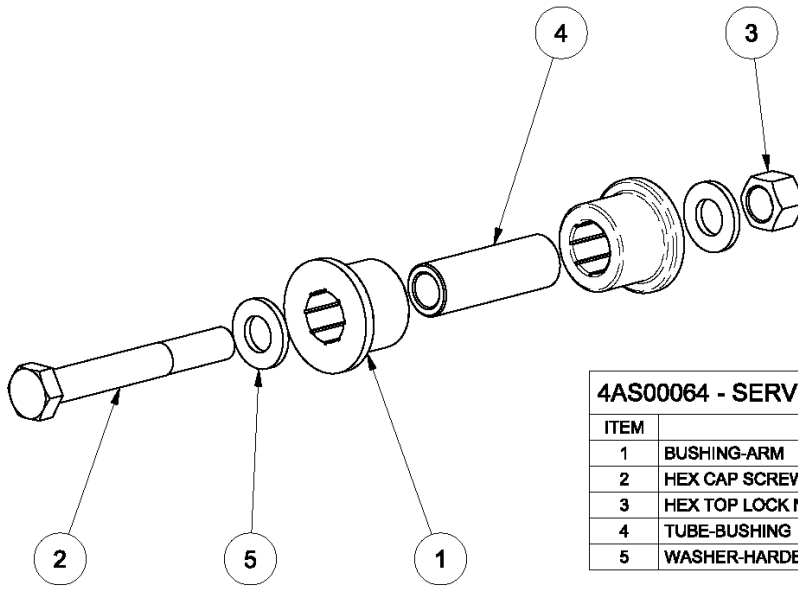
4AS00062 - SERVICE KIT - TIE ROD END (RH THREAD)

ITEM	DESCRIPTION	QTY
1	PIN-COTTER, .125 X 1.75	1
2	TIE ROD END ASSEMBLY-RH WITH CASTLE NUT	1



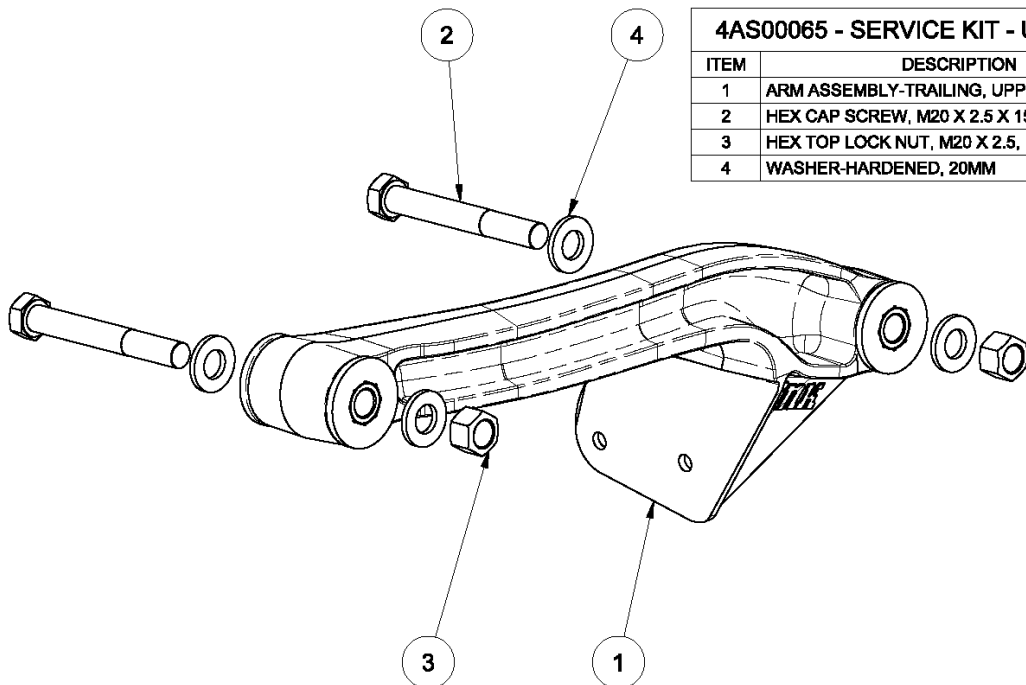
4AS00063 - SERVICE KIT - ASSEMBLY TUBE-TIE ROD

ITEM	DESCRIPTION	QTY
1	TIE-ROD TUBE ASSEMBLY, 20K	1



4AS00064 - SERVICE KIT - COMPLETE BUSHING

ITEM	DESCRIPTION	QTY
1	BUSHING-ARM	16
2	HEX CAP SCREW, M20 X 2.5 X 150, CLASS 10.9	8
3	HEX TOP LOCK NUT, M20 X 2.5, 10	8
4	TUBE-BUSHING	8
5	WASHER-HARDENED, 20MM	16

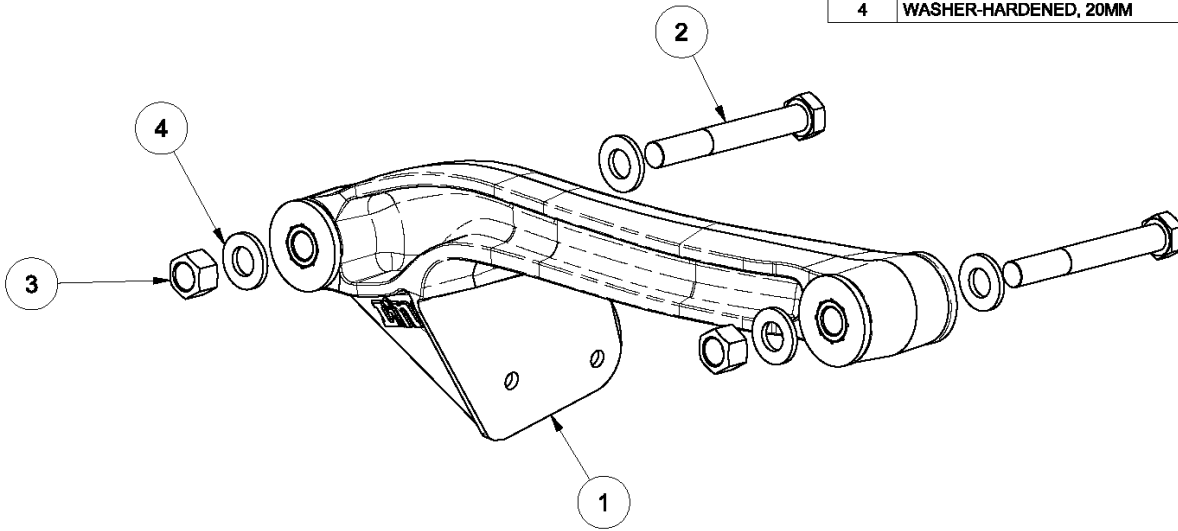


4AS00065 - SERVICE KIT - UPPER ARM-LH

ITEM	DESCRIPTION	QTY
1	ARM ASSEMBLY-TRAILING, UPPER LH	1
2	HEX CAP SCREW, M20 X 2.5 X 150, CLASS 10.9	2
3	HEX TOP LOCK NUT, M20 X 2.5, 10	2
4	WASHER-HARDENED, 20MM	4

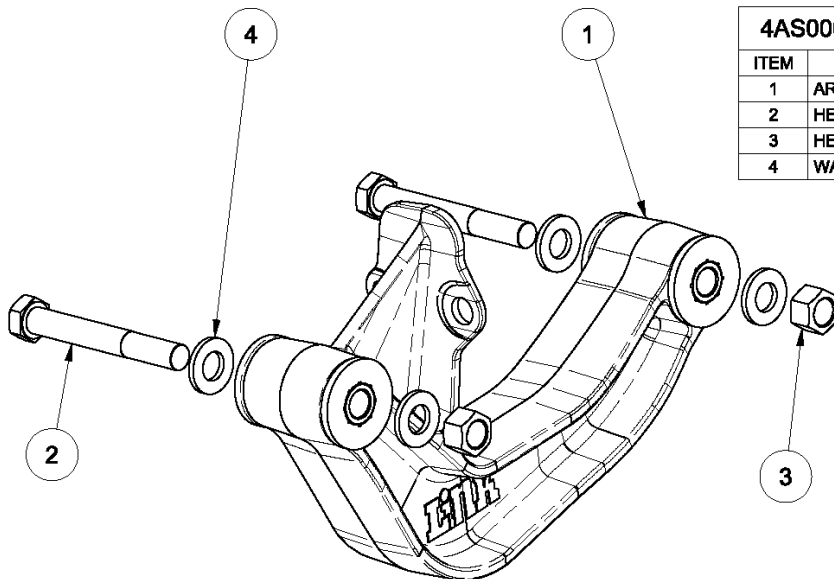
4AS00066 - SERVICE KIT - UPPER ARM-RH

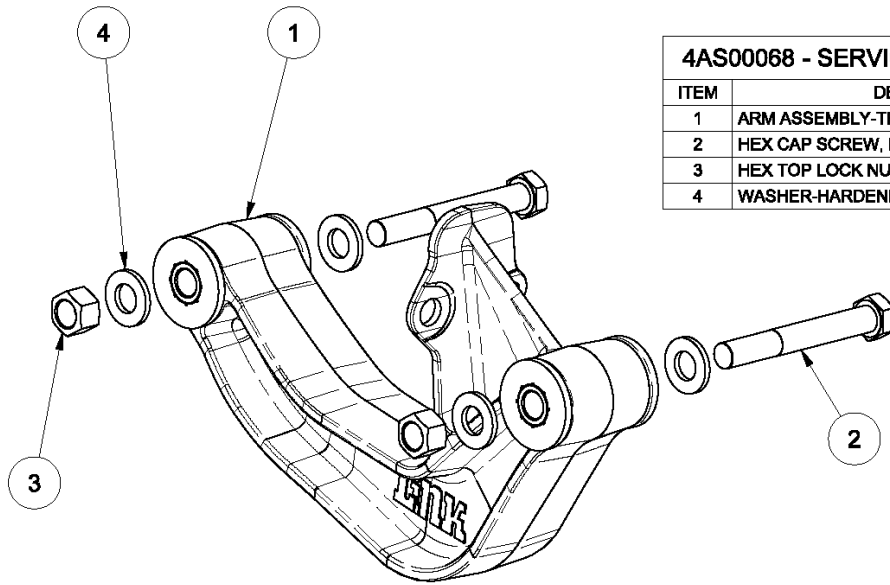
ITEM	DESCRIPTION	QTY
1	ARM ASSEMBLY-TRAILING, UPPER RH	1
2	HEX CAP SCREW, M20 X 2.5 X 150, CLASS 10.9	2
3	HEX TOP LOCK NUT, M20 X 2.5, 10	2
4	WASHER-HARDENED, 20MM	4



4AS00067 - SERVICE KIT - LOWER ARM-LH

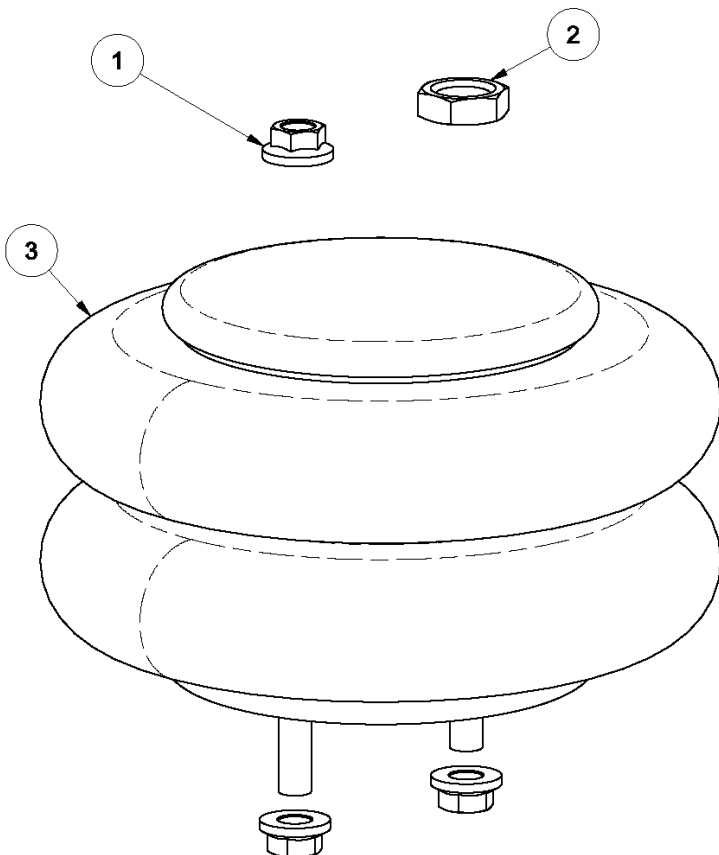
ITEM	DESCRIPTION	QTY
1	ARM ASSEMBLY-TRAILING, LOWER LH	1
2	HEX CAP SCREW, M20 X 2.5 X 150, CLASS 10.9	2
3	HEX TOP LOCK NUT, M20 X 2.5, 10	2
4	WASHER-HARDENED, 20MM	4





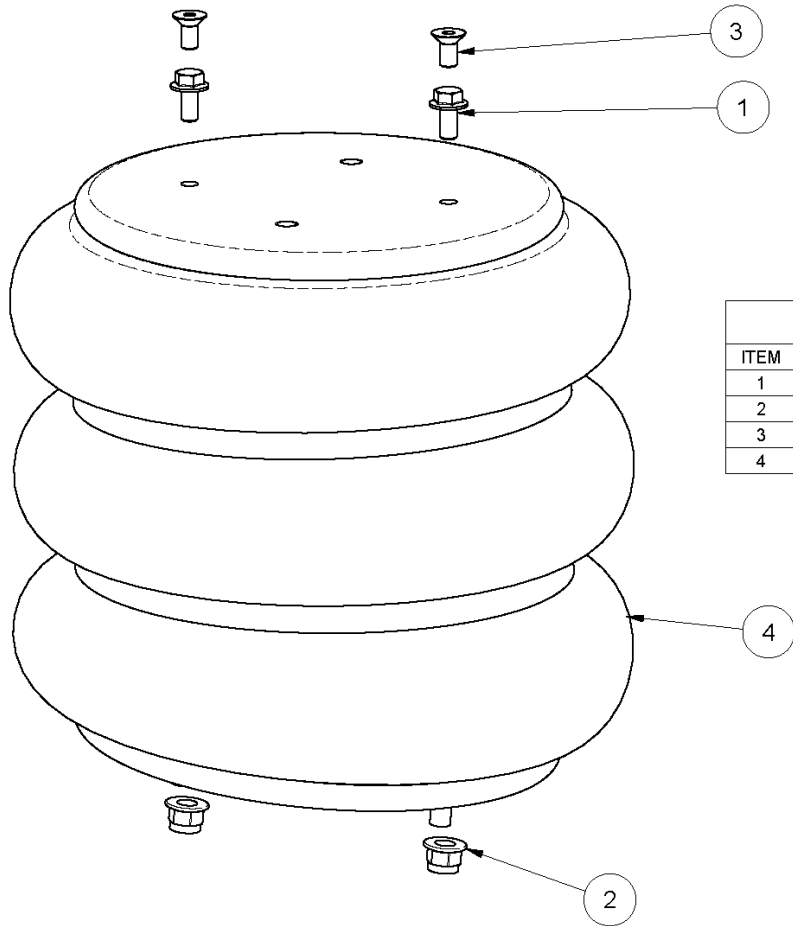
4AS00068 - SERVICE KIT - LOWER ARM-RH

ITEM	DESCRIPTION	QTY
1	ARM ASSEMBLY-TRAILING, LOWER RH	1
2	HEX CAP SCREW, M20 X 2.5 X 150, CLASS 10.9	2
3	HEX TOP LOCK NUT, M20 X 2.5, 10	2
4	WASHER-HARDENED, 20MM	4

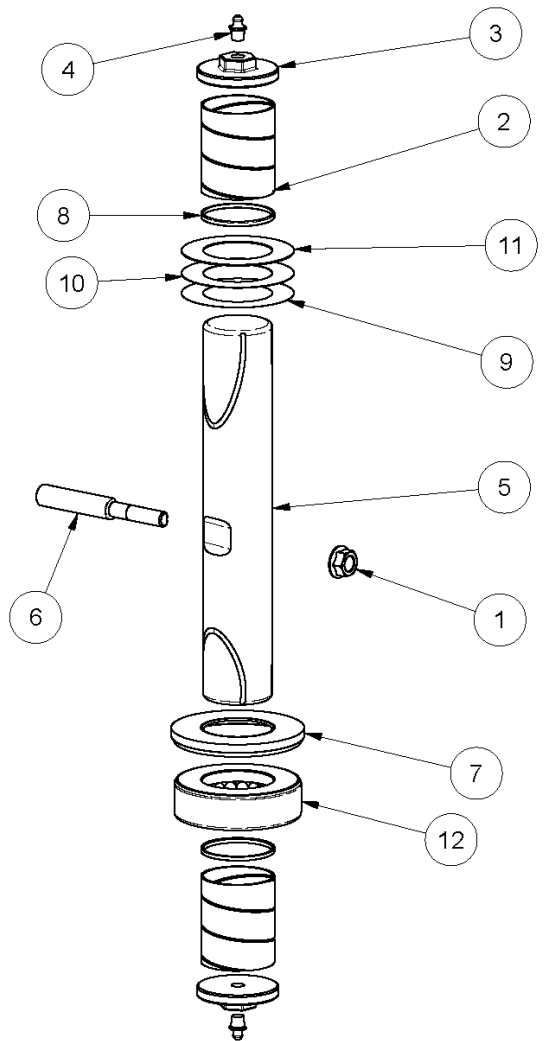


4AS00069 - SERVICE KIT - LIFT SPRING

ITEM	DESCRIPTION	QTY
1	M12 X 1.75 SERRATED FLANGE NUT	3
2	M20 X 1.5 JAM NUT	1
3	SPRING-AIR	1



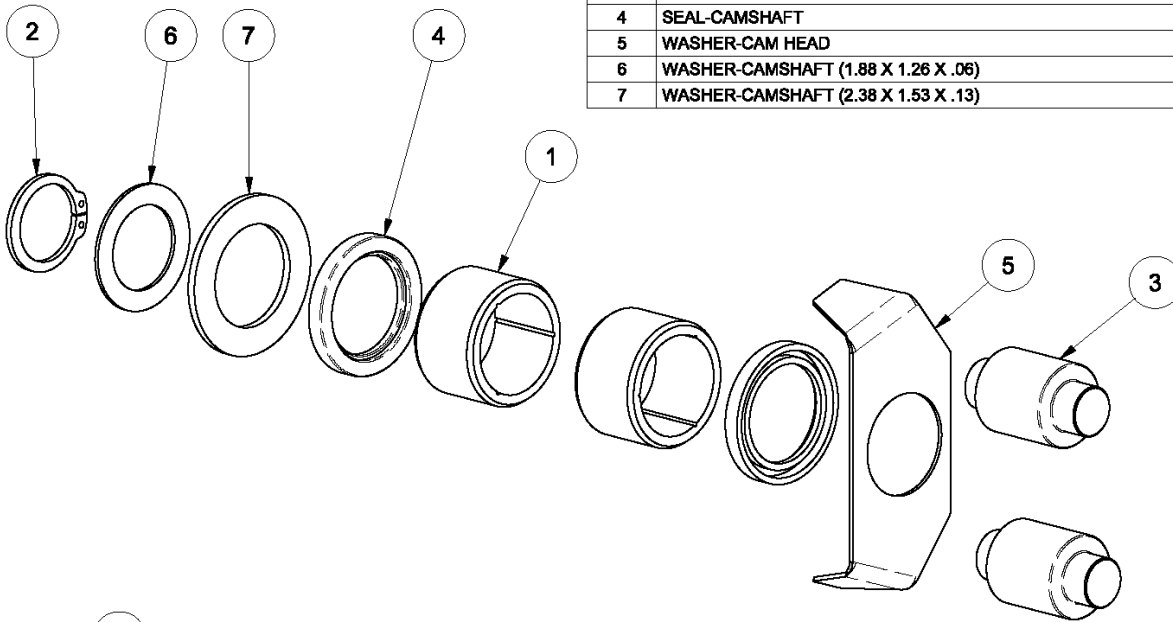
4AS00070 - SERVICE KIT - LOAD SPRING		
ITEM	DESCRIPTION	QTY
1	HEX HEAD FLANGE SCREW, M10 X 1.50 X 20, CLASS 10.9	2
2	M12 X 1.75 HEX FLANGE NYLOCK NUT (CLASS 8)	2
3	METRIC FLAT HEAD CAP SCREW, M10 X 1.50, CLASS 10.9	2
4	SPRING-AIR	1



4AS00071 - SERVICE KIT - COMPLETE KINGPIN		
ITEM	DESCRIPTION	QTY
1	7/16 UNC TOP LOCK FL NUT (GR G) O&P	2
2	BUSHING-KINGPIN	4
3	CAP-KING PIN	4
4	FITTING-GREASE	4
5	KING PIN-20K	2
6	PIN-DRAW, LOCKING	2
7	RETAINER-THRUST BEARING, 20K	2
8	SEAL-KNUCKLE	4
9	SHIM (.005)	2
10	SHIM (.015)	2
11	SHIM (.030)	2
12	THRUST BEARING-KNUCKLE, 20K	2

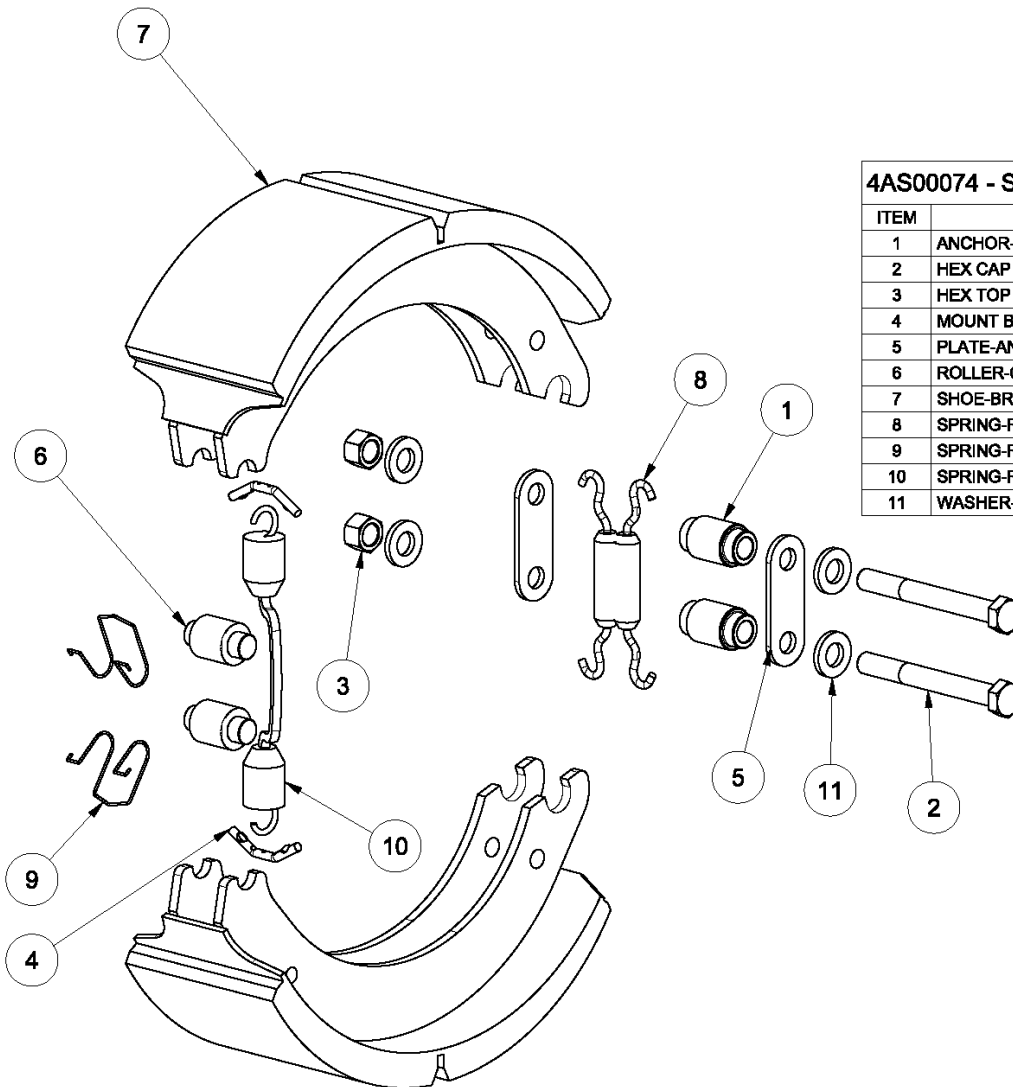
4AS00073 - SERVICE KIT - COMPLETE CAM BUSHING AND SEAL

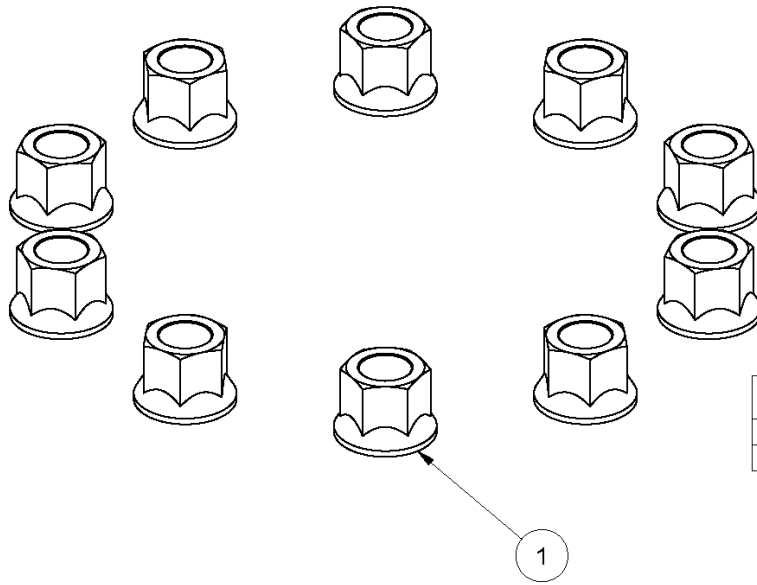
ITEM	DESCRIPTION	QTY
1	BUSHING-CAMSHAFT	4
2	RETAINING RING-CAMSHAFT	2
3	ROLLER-CAM	4
4	SEAL-CAMSHAFT	4
5	WASHER-CAM HEAD	2
6	WASHER-CAMSHAFT (1.88 X 1.26 X .06)	2
7	WASHER-CAMSHAFT (2.38 X 1.53 X .13)	2



4AS00074 - SERVICE KIT - COMPLETE BRAKE

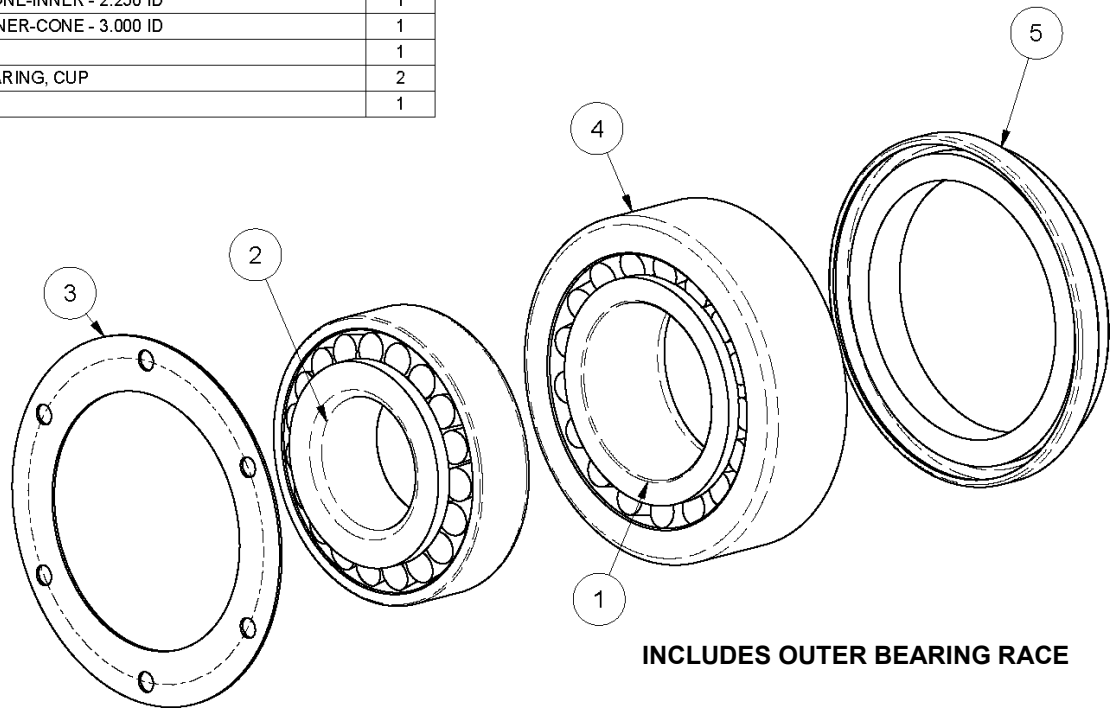
ITEM	DESCRIPTION	QTY
1	ANCHOR-BRAKE SHOE	4
2	HEX CAP SCREW, M16 X 2.0 X 140, 10.9	4
3	HEX TOP LOCK NUT, M16 X 2.0, 10	4
4	MOUNT BAR-SPRING	4
5	PLATE-ANCHOR	4
6	ROLLER-CAM	4
7	SHOE-BRAKE, Q PLUS	4
8	SPRING-RETAINER, SHOE	4
9	SPRING-RETAINING, CAM ROLLER	4
10	SPRING-RETURN, SHOE	2
11	WASHER-HARDENED, 16MM	8



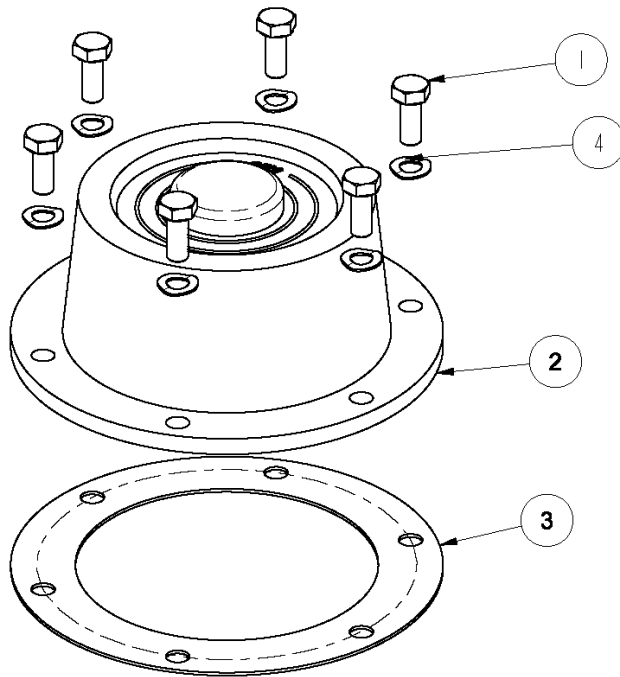


4AS00080 - SERVICE KIT - WHEEL NUT		
ITEM	DESCRIPTION	QTY
1	NUT-FLANGE, M22 X 1.5	10

4AS00081 - SERVICE KIT - BEARINGS AND SEALS		
ITEM	DESCRIPTION	QTY
1	BEARING-CONE-INNER - 2.250 ID	1
2	BEARING-INNER-CONE - 3.000 ID	1
3	GASKET	1
4	ROLLER BEARING, CUP	2
5	SEAL-OIL	1

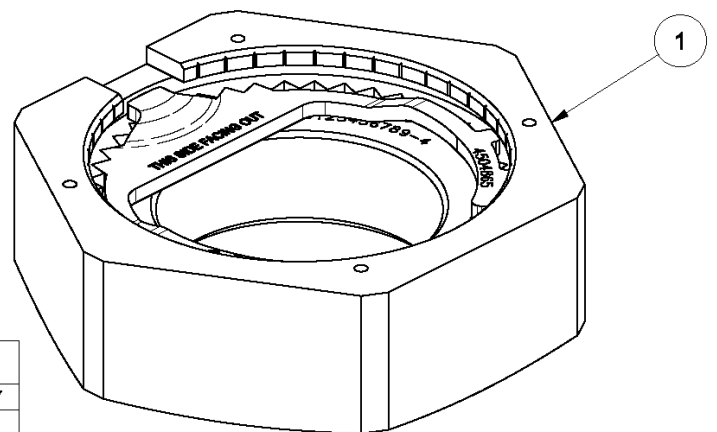


INCLUDES OUTER BEARING RACE



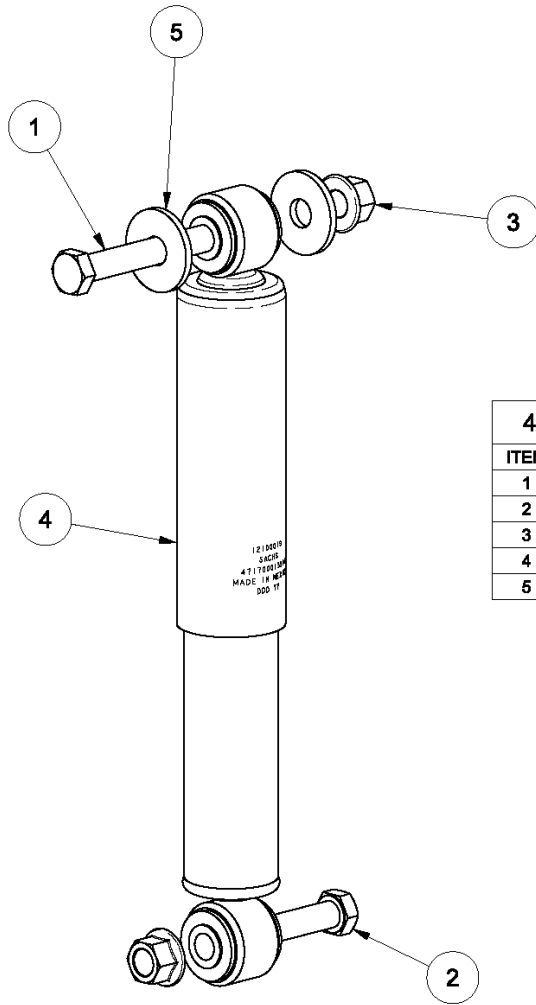
4AS00082 - SERVICE KIT - HUB CAP ASSEMBLY

ITEM	DESCRIPTION	QTY
1	5/16 X 7/8 UNC HEX CAP SCREW, GR 5	6
2	CAP, HUB	1
3	GASKET	1
4	WASHER-SPRING	6



4AS00083 - SERVICE KIT - NUT-PRO-TORQ 1.75-12

ITEM	DESCRIPTION	QTY
1	SPINDLE NUT-PRO TORQ	1



4AS00084 - SERVICE KIT - COMPLETE RIDE SHOCK		
ITEM	DESCRIPTION	QTY
1	HEX CAP SCREW, M16 X 2.0 X 110, 10.9	2
2	HEX CAP SCREW, M16 X 2.0 X 90, 10.9	2
3	HEX TOP LOCK FLANGE NUT, M16 X 2.0, CLASS 10	4
4	SHOCK ABSORBER	2
5	WASHER-OVERSIZED, 16MM	4



LINK MANUFACTURING, LTD.
223 15TH ST. NE, SIOUX CENTER, IA 51250
1-800-222-6283 www.linkmfg.com