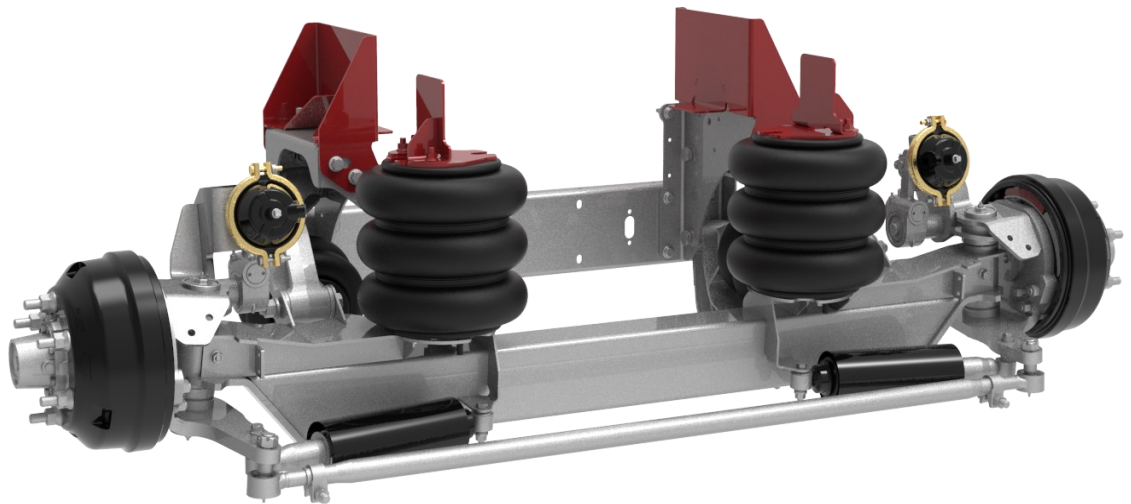


LINK Auxiliary Suspensions

SPECIFICATIONS ORDER GUIDE SERVICE KITS AND PARTS

8K Auxiliary Suspension 8,000 LBS. CAPACITY



The Link 8K Auxiliary Suspension is a lightweight, 8,000 pound capacity, self-steering lift axle that incorporates several unique features. The patented, interchangeable ride height brackets allow the installer to manage inventory dollars and still have a lift axle available for almost any truck. The improved lift spring geometry of the Link 8K Auxiliary Suspension assures longer life of the lift springs and less downtime for the owner. The compact mounting envelope (22") combined with the integrated air control system (optional) saves valuable frame rail space. The separate ride height brackets and pre-plumbed integrated air control kit can save up to 3-5 hours of installation time.

Link Mfg. Ltd.
223 15th St. N.E.
Sioux Center, IA USA
51250-2120
www.linkmfg.com

QUESTIONS?
CALL CUSTOMER
SERVICE
1-800-222-6283

SUSPENSION-AXLE, UNITIZED (BASE UNIT)

- 8A000744 AUXILIARY SUSPENSION, 8K
- 8A000745 AUXILIARY SUSPENSION, 8K INTEGRATED AIR

FRAME BRACKET KITS, (CHOOSE ONE)**STANDARD FRAME BRACKETS**

- 8A000410 11 - 13 1/2" RIDE HEIGHT (NO SPACER)
- 8A000411 13 - 15 1/2" RIDE HEIGHT (2" SPACER)
- 8A000412 15 - 17 1/2" RIDE HEIGHT (4" SPACER)
- 8A000413 17 - 19 1/2" RIDE HEIGHT (6" SPACER)

TALL FRAME BRACKETS

- 8A000414 11 - 13 1/2" RIDE HEIGHT
- 8A000415 13 - 15 1/2" RIDE HEIGHT
- 8A000416 15 - 17 1/2" RIDE HEIGHT
- 8A000417 17 - 19 1/2" RIDE HEIGHT

AIR CONTROL KITS FOR INTEGRATED SUSPENSIONS (CHOOSE ONE)

- 13501023 CONTROL-INTEGRATED-STANDARD
- 13501024 CONTROL-INTEGRATED-SEALED

OPTIONAL AIR CONTROL KITS FOR NON-INTEGRATED SUSPENSION (CHOOSE ONE)

- 13501025 CONTROL-NON-INTEGRATED-STANDARD
- 13501026 CONTROL-NON-INTEGRATED-SEALED

OPTIONAL KITS

- 800A0210 KIT-MOUNT, SHOCK ABSORBER
- 800A0032 FASTENER KIT 2" FASTENERS
- 800A0305 FASTENER KIT 2 1/2" FASTENERS"
- 13501016 RATIO RELAY VALVE KIT
- 800A0202 REVERSE LOCK KIT (CUSTOMER / UPFITTER INSTALLED)
- 13501027 KIT-AIR TANK

OPTIONAL FENDER KITS (CHOOSE ONE)

- 800A0201 KIT-FENDER MOUNT, 8K/10K AXLE
- 80002605 FENDER-PAIR, POLY, 12" WIDE, LOW PROFILE
- 80002609 FENDER-PAIR, ALUM, 10" WIDE
- 80002610 FENDER-PAIR, SS, 10" WIDE

OPTIONAL ALUMINUM RIMS (ORDER A QTY OF 2 FOR A COMPLETE AXLE)

- 84002025 WHEEL-6 HOLE, HUB PILOT, POLISHED
- 84002026 WHEEL-6 HOLE, HUB PILOT, SATIN

To order your Link 10K Auxiliary Suspension, use the order form on page 2 of this document to assist with your specific selections.

1. Order the Base Unit.
2. Order the Ride Height Bracket Kit.
 - a) Determine the Loaded Tire Radius on the chart below.
 - b) Subtract Loaded Tire Radius from Loaded Frame Height to find correct ride height.

Loaded Frame Height - Loaded Tire Radius = Ride Height

- c) Select the correct Ride Height Bracket part number from the chart from page 5 or 6 depending on your application.
4. Choose the desired Air Control Kit.
5. Select any additional Optional Equipment.
6. Call your Link Manufacturing Sales representative at the number below to place your order.

QUICK SPECS

MODEL: 8K

TYPE: SELF-STEER

WEIGHT: 776 LBS

CAPACITY: 8,000 LBS

TRAVEL: 12"

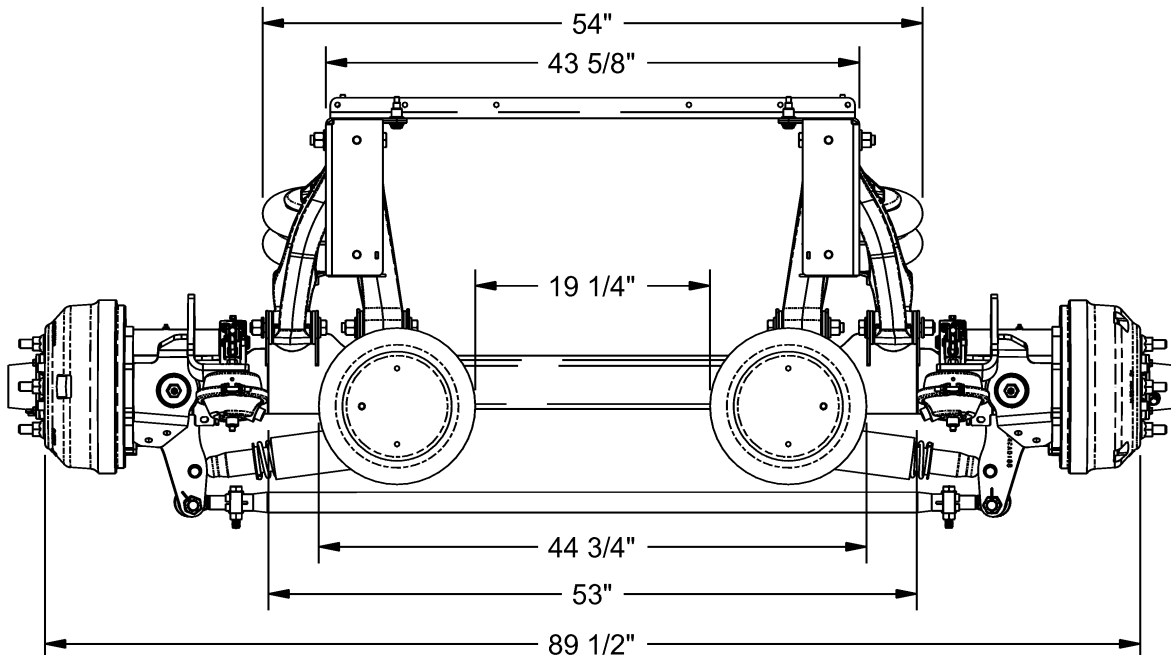
LIFT: 7 - 9 1/2"

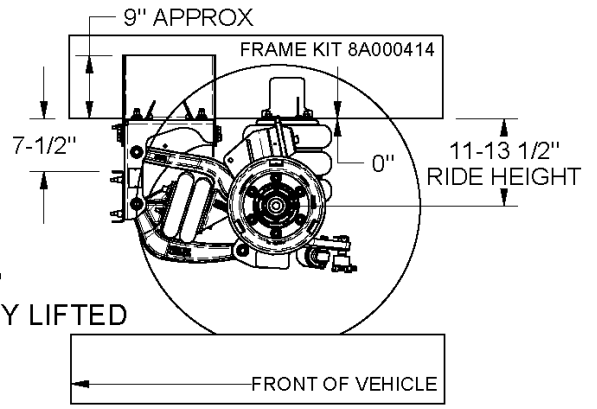
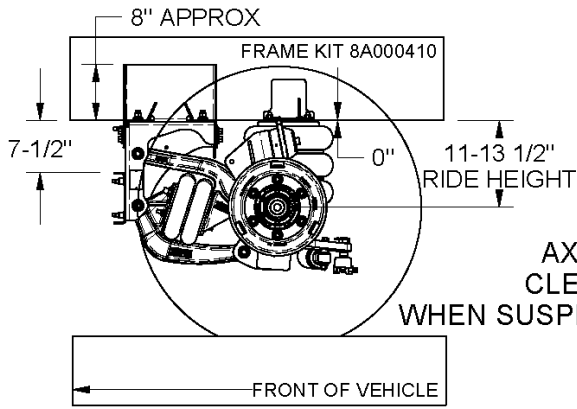
RIDE HEIGHT: 11 - 19 1/2"

ENVELOPE: 22"

FRAME WIDTH: 33 1/2 - 35"

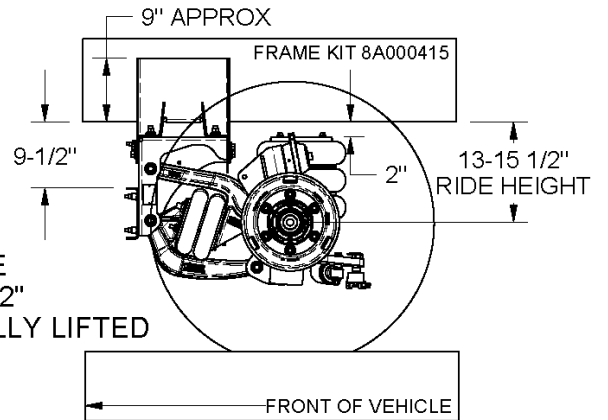
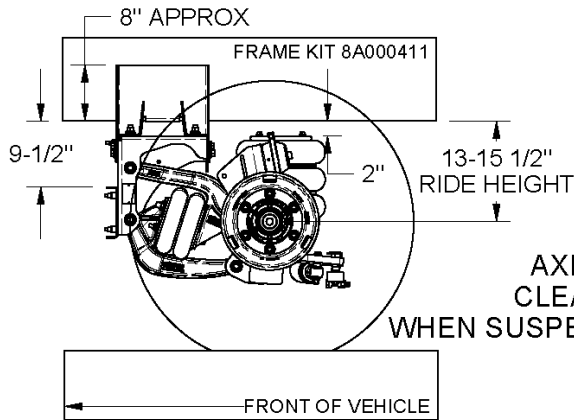
TUBE TYPE	TUBELESS	ISO (METRIC)	LOADED TIRE RADIUS	DIAMETER
7.50R15		215/75R17.5	14	30.2
8.25R15	8.5R17.5	225/70R19.5	15	32.9
	9R17.5	245/70R19.5	15.5	33.1
	10R17.5		15.5	33.9
	8R19.5		16	34
10.00R15			16.5	35.8
7.50R20	8R22.5	255/70R22.5	17	36.5
	11R17.5	245/75R22.5	17	36.6
8.25R20	9R22.5	235/80R22.5	17.5	37.8
		255/75R22.5	17.5	37.7





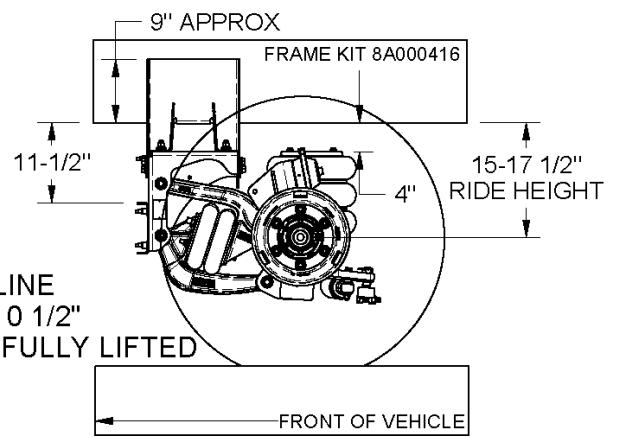
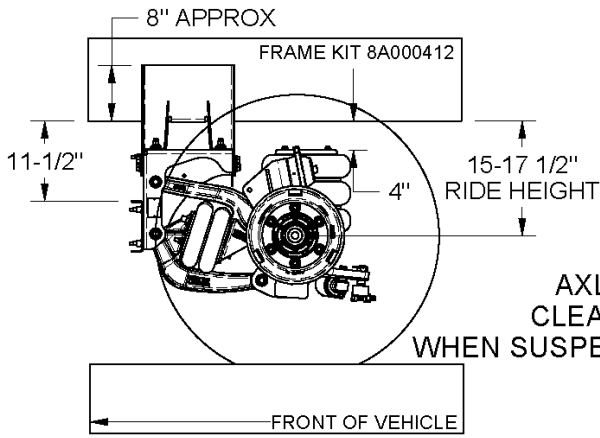
AXLE DRIVE LINE
CLEARANCE - 6 1/2"
WHEN SUSPENSION IS FULLY LIFTED

8K LIFT CHART	RIDE HEIGHT 11-13 1/2" (FRAME MOUNT KIT 8A000410 OR 8A000414)											
LOADED FRAME HEIGHT	25"	25 1/2"	26"	26 1/2"	27"	27 1/2"	28"	28 1/2"	29"	29 1/2"	30"	30 1/2"
TIRE RADIUS												
14" (LOADED)	7"	7 1/2"	8"	8 1/2"	9"	9 1/2"						
15" (LOADED)			7"	7 1/2"	8"	8 1/2"	9"	9 1/2"				
16" (LOADED)					7"	7 1/2"	8"	8 1/2"	9"	9 1/2"		
17" (LOADED)							7"	7 1/2"	8"	8 1/2"	9"	9 1/2"



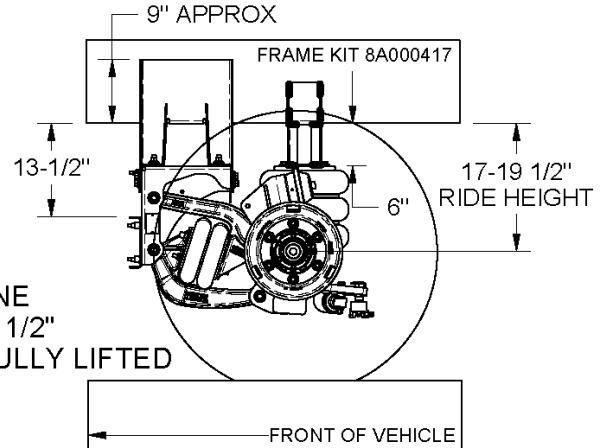
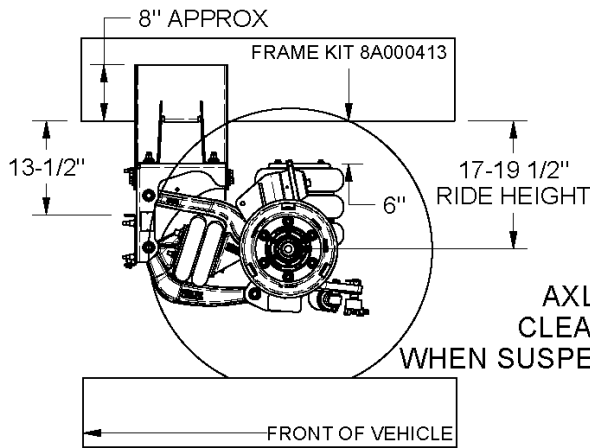
AXLE DRIVE LINE
CLEARANCE - 8 1/2"
WHEN SUSPENSION IS FULLY LIFTED

8K LIFT CHART	RIDE HEIGHT 13-15 1/2" (FRAME MOUNT KIT 8A000411 OR 8A000415)											
LOADED FRAME HEIGHT	27"	27 1/2"	28"	28 1/2"	29"	29 1/2"	30"	30 1/2"	31"	31 1/2"	32"	32 1/2"
TIRE RADIUS												
14" (LOADED)	7"	7 1/2"	8"	8 1/2"	9"	9 1/2"						
15" (LOADED)			7"	7 1/2"	8"	8 1/2"	9"	9 1/2"				
16" (LOADED)					7"	7 1/2"	8"	8 1/2"	9"	9 1/2"		
17" (LOADED)							7"	7 1/2"	8"	8 1/2"	9"	9 1/2"



AXLE DRIVE LINE
CLEARANCE - 10 1/2"
WHEN SUSPENSION IS FULLY LIFTED

8K LIFT CHART	RIDE HEIGHT 15-17 1/2" (FRAME MOUNT KIT 8A000412 OR 8A000416)											
LOADED FRAME HEIGHT	29"	29 1/2"	30"	30 1/2"	31"	31 1/2"	32"	32 1/2"	33"	33 1/2"	34"	34 1/2"
TIRE RADIUS												
14" (LOADED)	7"	7 1/2"	8"	8 1/2"	9"	9 1/2"						
15" (LOADED)			7"	7 1/2"	8"	8 1/2"	9"	9 1/2"				
16" (LOADED)					7"	7 1/2"	8"	8 1/2"	9"	9 1/2"		
17" (LOADED)							7"	7 1/2"	8"	8 1/2"	9"	9 1/2"

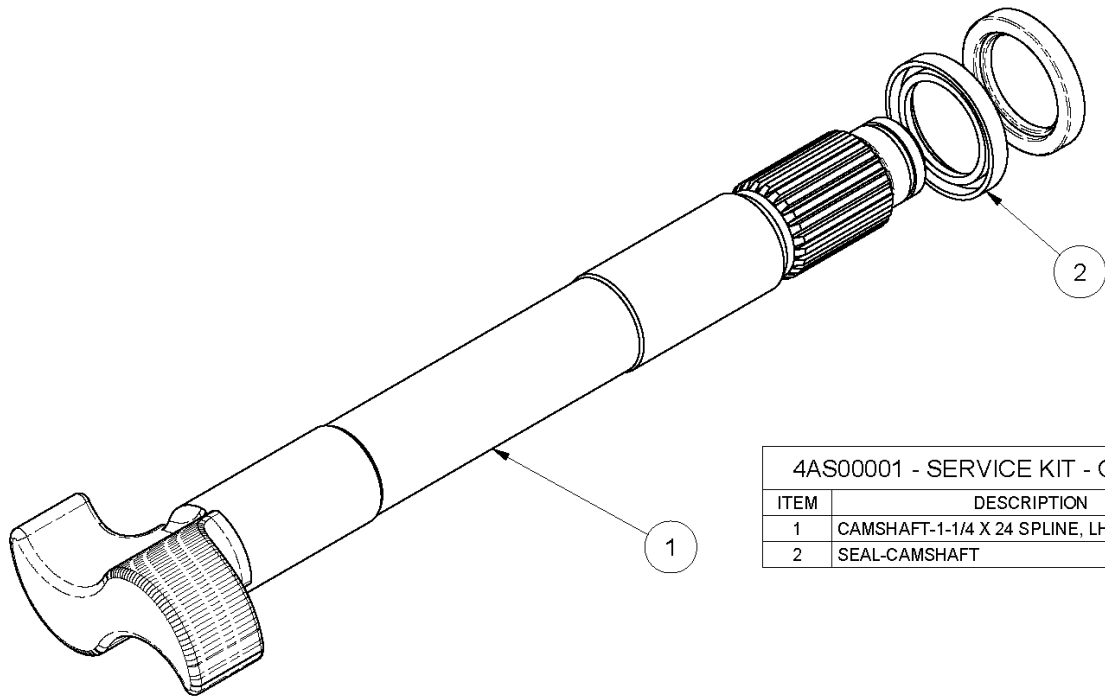


AXLE DRIVE LINE
CLEARANCE - 12 1/2"
WHEN SUSPENSION IS FULLY LIFTED

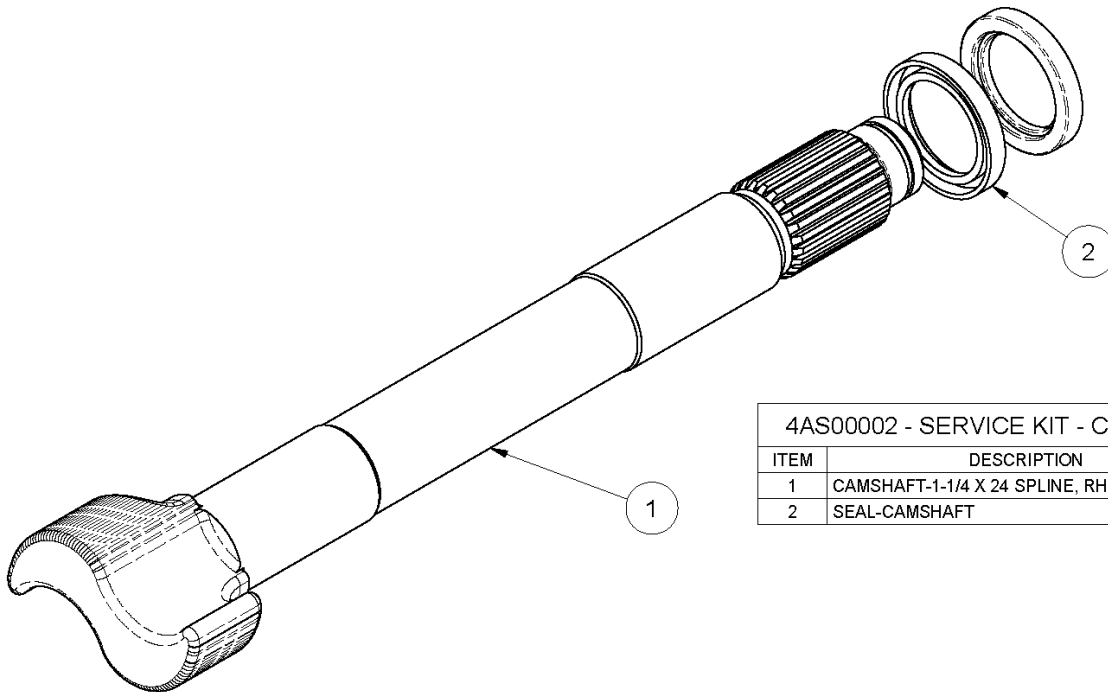
8K LIFT CHART	RIDE HEIGHT 17-19 1/2" (FRAME MOUNT KIT 8A000413 OR 8A000418)											
LOADED FRAME HEIGHT	31"	31 1/2"	32"	32 1/2"	33"	33 1/2"	34"	34 1/2"	35"	35 1/2"	36"	36 1/2"
TIRE RADIUS												
14" (LOADED)	7"	7 1/2"	8"	8 1/2"	9"	9 1/2"						
15" (LOADED)			7"	7 1/2"	8"	8 1/2"	9"	9 1/2"				
16" (LOADED)					7"	7 1/2"	8"	8 1/2"	9"	9 1/2"		
17" (LOADED)							7"	7 1/2"	8"	8 1/2"	9"	9 1/2"

SERVICE ITEMS FOR 8K AUXILIARY SUSPENSION

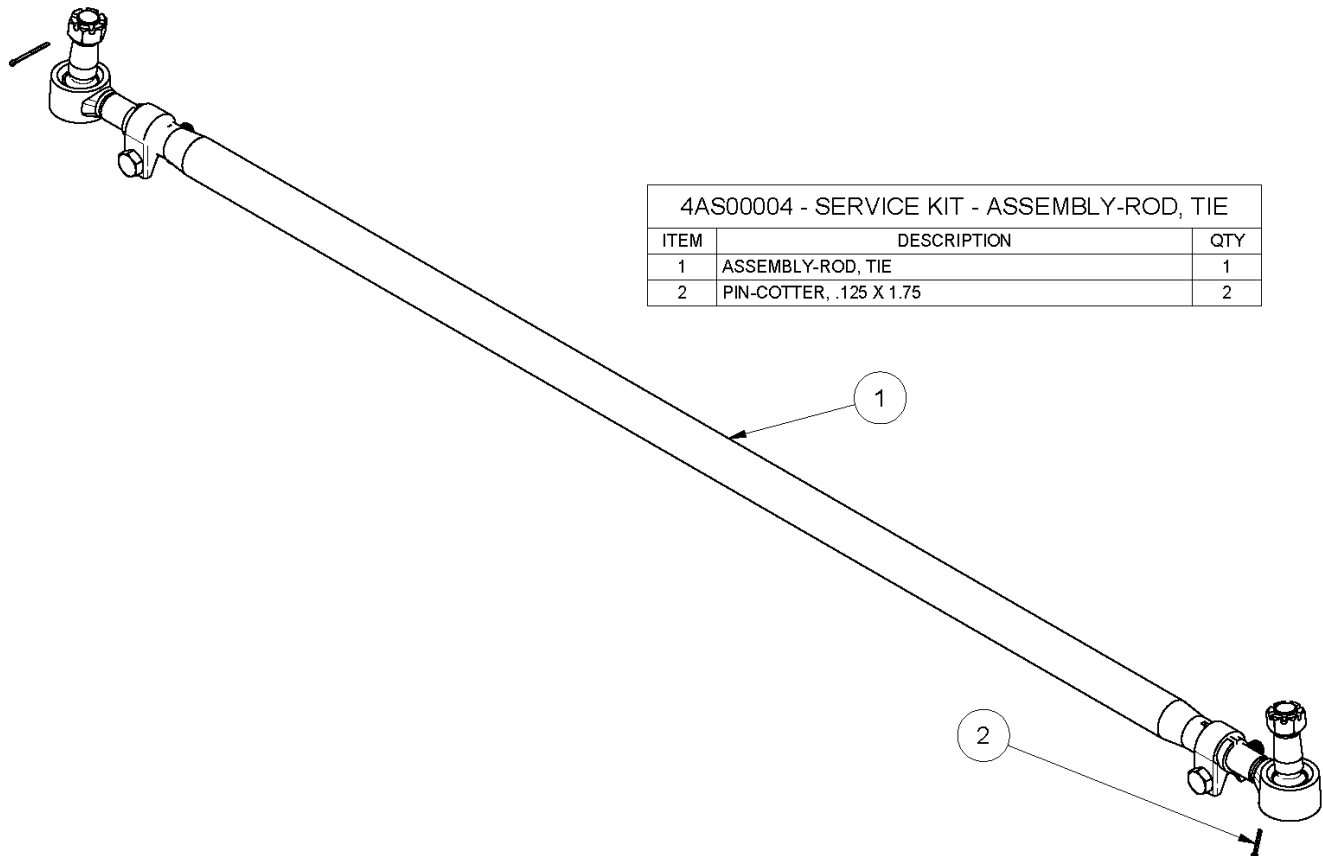
ITEM NUMBER	DESCRIPTION
4AS00001	SERVICE KIT - CAMSHAFT-LH
4AS00002	SERVICE KIT - CAMSHAFT-RH
4AS00004	SERVICE KIT - ASSEMBLY-ROD, TIE
4AS00005	SERVICE ASSEMBLY - HANGER
4AS00006	SERVICE ASSEMBLY - AXLE-FABRICATED
4AS00007	SERVICE ASSEMBLY - KNUCKLE-MACHINED-LH
4AS00008	SERVICE ASSEMBLY - KNUCKLE-MACHINED-RH
4AS00009	SERVICE KIT - TIE ROD END (LH THREAD)
4AS00010	SERVICE KIT - TIE ROD END (RH THREAD)
4AS00011	SERVICE KIT - ASSEMBLY TUBE-TIE ROD
4AS00012	SERVICE KIT - COMPLETE BUSHING
4AS00013	SERVICE KIT - UPPER ARM-LH
4AS00014	SERVICE KIT - UPPER ARM-RH
4AS00015	SERVICE KIT - LOWER ARM-LH
4AS00016	SERVICE KIT - LOWER ARM-RH
4AS00017	SERVICE KIT - COMPLETE KINGPIN
4AS00019	SERVICE KIT - COMPLETE CAM BUSHING AND SEAL
4AS00020	SERVICE KIT - COMPLETE BRAKE
4AS00021	SERVICE KIT - SLACK ADJUSTER
4AS00022	SERVICE KIT - STEERING STOP BOLT
4AS00023	SERVICE KIT - COMPLETE STEERING STABILIZER
4AS00028	SERVICE KIT - BEARINGS AND SEALS
4AS00029	SERVICE KIT - HUB CAP ASSEMBLY
4AS00030	SERVICE KIT - CHAMBER-BRAKE
4AS00031	SERVICE KIT - HUB PILOTED HUB
4AS00032	SERVICE KIT - LIFT SPRING
4AS00033	SERVICE KIT - LOAD SPRING
4AS00034	SERVICE KIT - NUT-ZIP-TORQ. 1.50-12
4AS00046	SERVICE KIT - DRUM
4AS00048	SERVICE KIT - WHEEL NUT



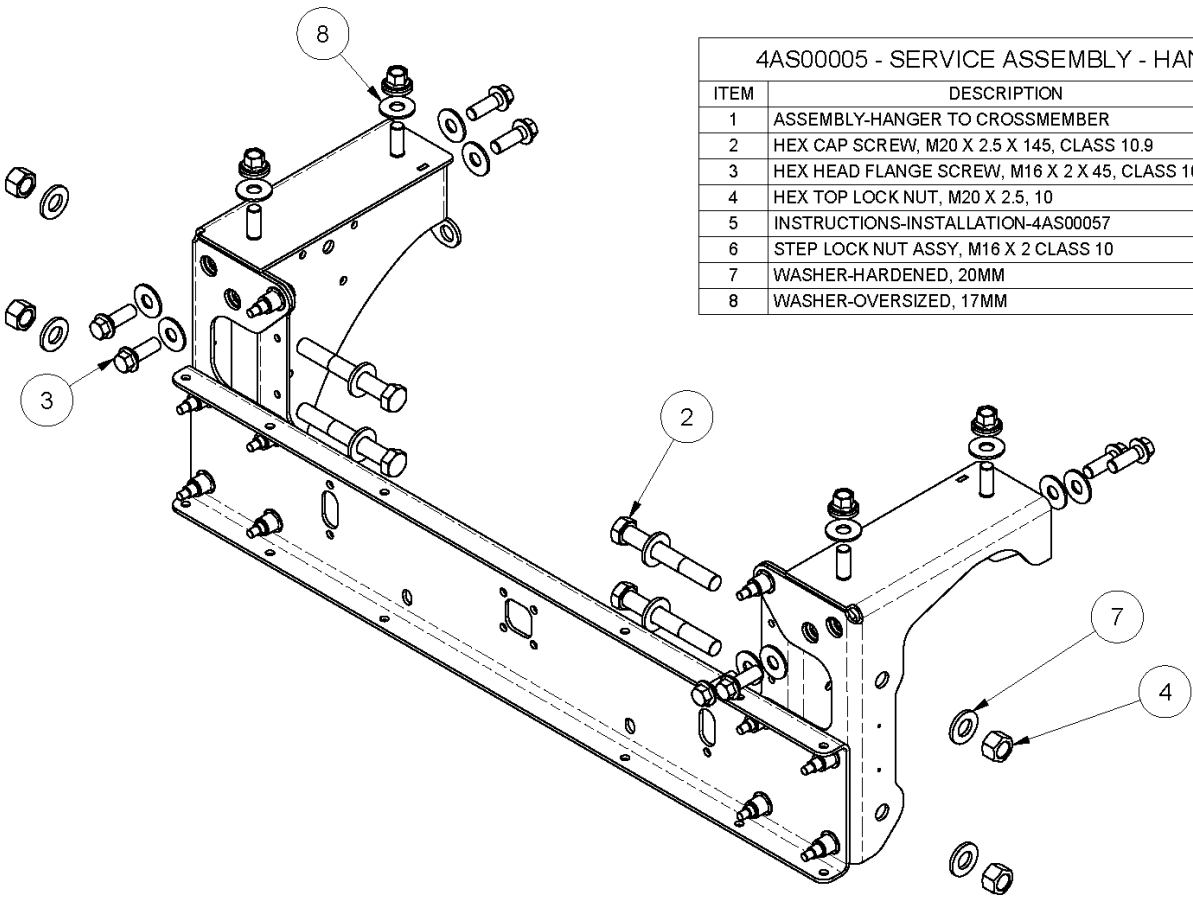
4AS00001 - SERVICE KIT - CAMSHAFT-LH		
ITEM	DESCRIPTION	QTY
1	CAMSHAFT-1-1/4 X 24 SPLINE, LH	1
2	SEAL-CAMSHAFT	2



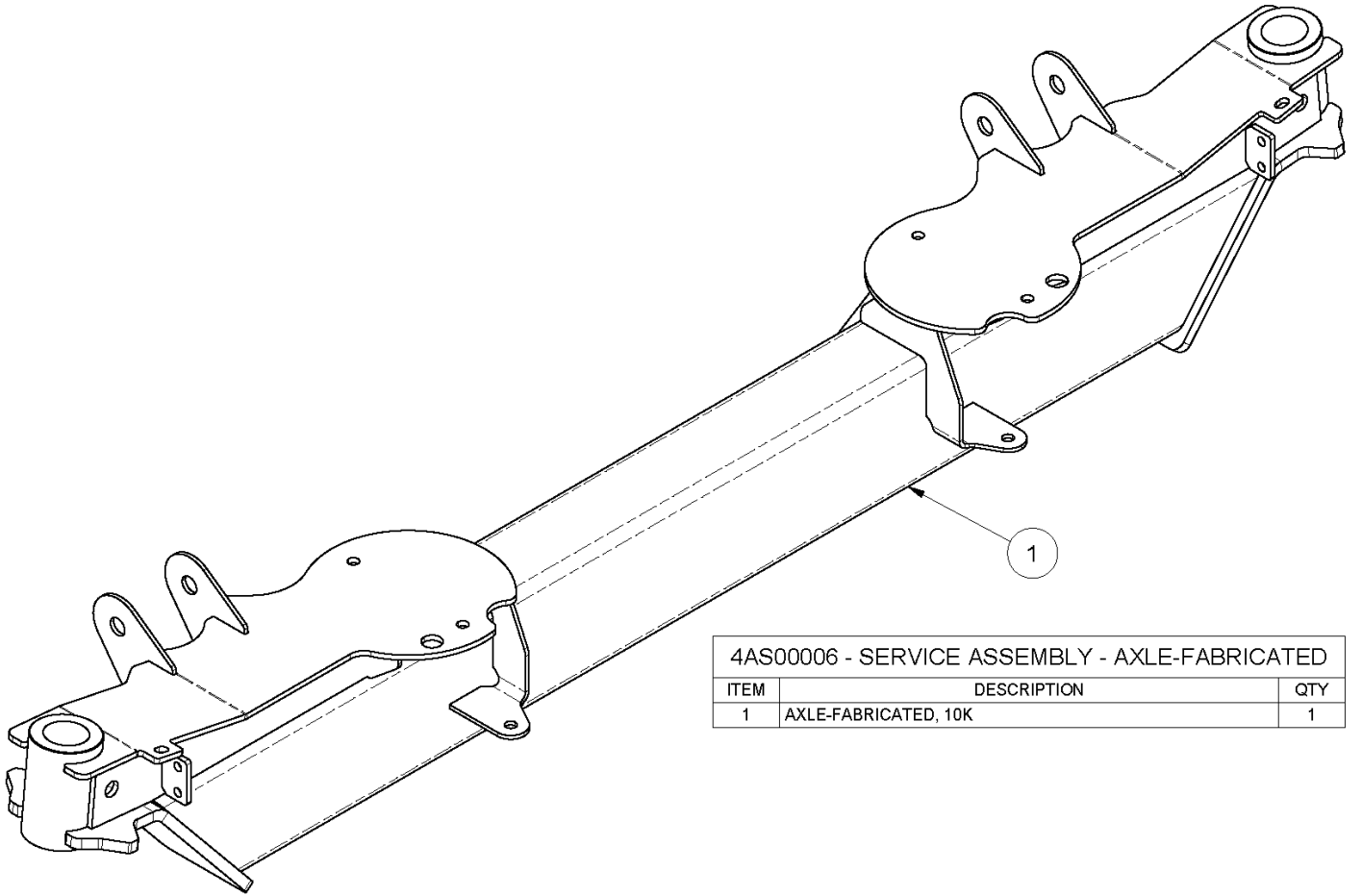
4AS00002 - SERVICE KIT - CAMSHAFT-RH		
ITEM	DESCRIPTION	QTY
1	CAMSHAFT-1-1/4 X 24 SPLINE, RH	1
2	SEAL-CAMSHAFT	2



4AS00004 - SERVICE KIT - ASSEMBLY-ROD, TIE		
ITEM	DESCRIPTION	QTY
1	ASSEMBLY-ROD, TIE	1
2	PIN-COTTER, .125 X 1.75	2

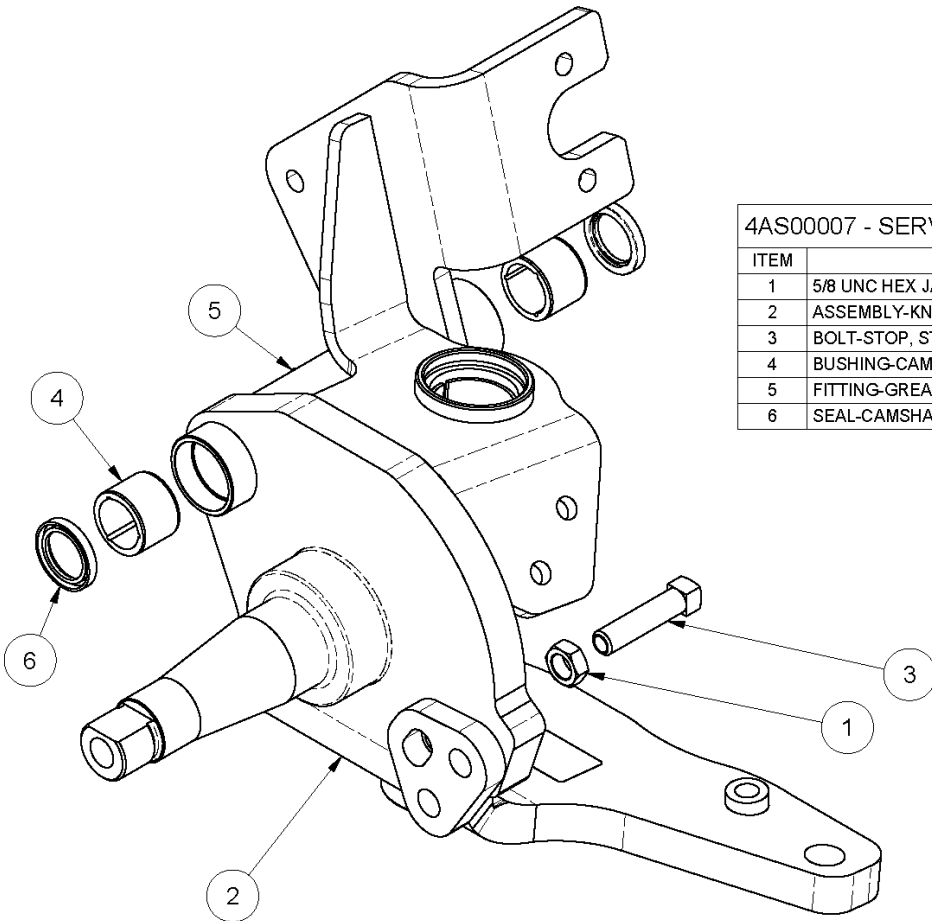


4AS00005 - SERVICE ASSEMBLY - HANGER		
ITEM	DESCRIPTION	QTY
1	ASSEMBLY-HANGER TO CROSSMEMBER	1
2	HEX CAP SCREW, M20 X 2.5 X 145, CLASS 10.9	4
3	HEX HEAD FLANGE SCREW, M16 X 2 X 45, CLASS 10.9	8
4	HEX TOP LOCK NUT, M20 X 2.5, 10	4
5	INSTRUCTIONS-INSTALLATION-4AS00057	1
6	STEP LOCK NUT ASSY, M16 X 2 CLASS 10	4
7	WASHER-HARDENED, 20MM	8
8	WASHER-OVERSIZED, 17MM	12



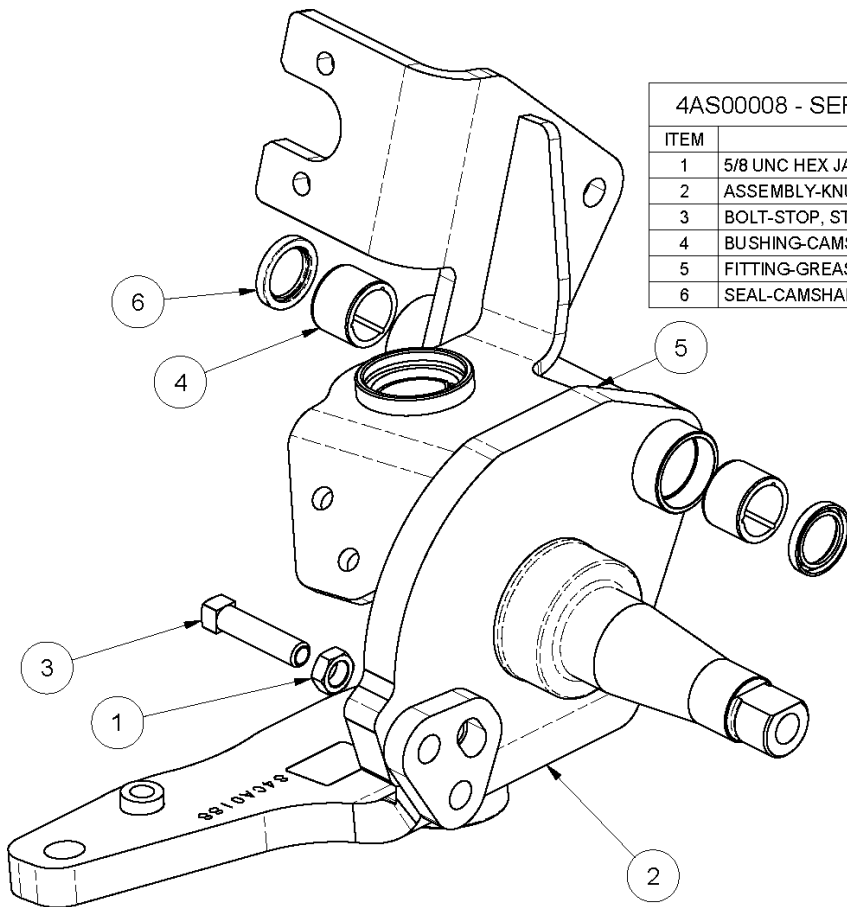
4AS00006 - SERVICE ASSEMBLY - AXLE-FABRICATED

ITEM	DESCRIPTION	QTY
1	AXLE-FABRICATED, 10K	1

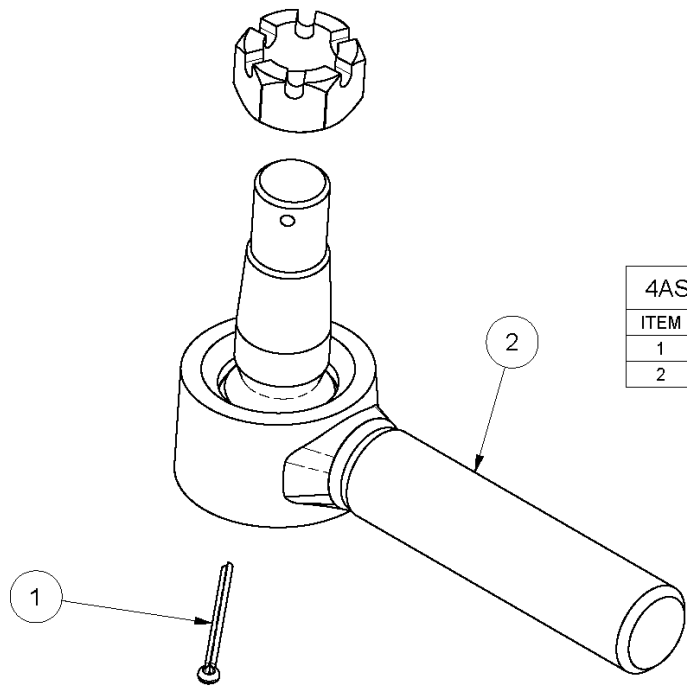


4AS00007 - SERVICE ASSEMBLY - KNUCKLE-MACHINED-LH

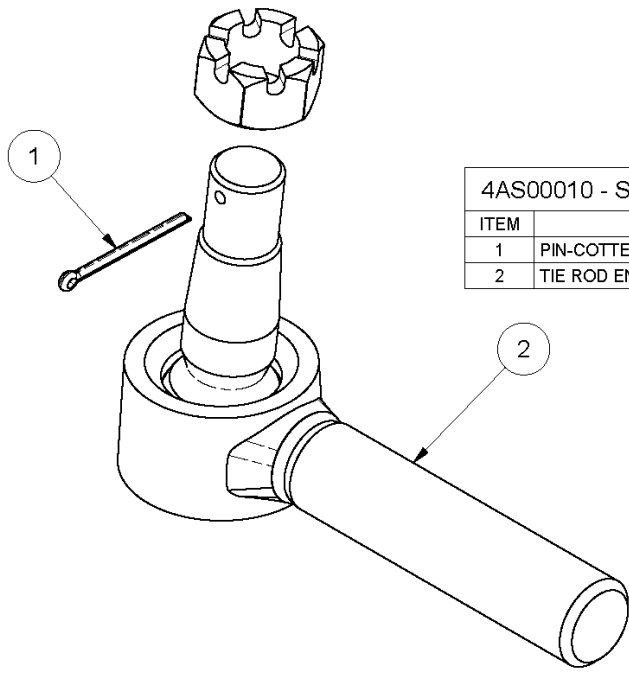
ITEM	DESCRIPTION	QTY
1	5/8 UNC HEX JAM NUT, GR 5	1
2	ASSEMBLY-KNUCKLE, LH	1
3	BOLT-STOP, STEERING, GEOMET	1
4	BUSHING-CAMSHAFT	2
5	FITTING-GREASE, 1/8-27STR THD FORM	1
6	SEAL-CAMSHAFT	2



4AS00008 - SERVICE ASSEMBLY - KNUCKLE-MACHINED-RH		
ITEM	DESCRIPTION	QTY
1	5/8 UNC HEX JAM NUT, GR 5	1
2	ASSEMBLY-KNUCKLE, RH	1
3	BOLT-STOP, STEERING, GEOMET	1
4	BUSHING-CAMSHAFT	2
5	FITTING-GREASE, 1/8-27STR THD FORM	1
6	SEAL-CAMSHAFT	2

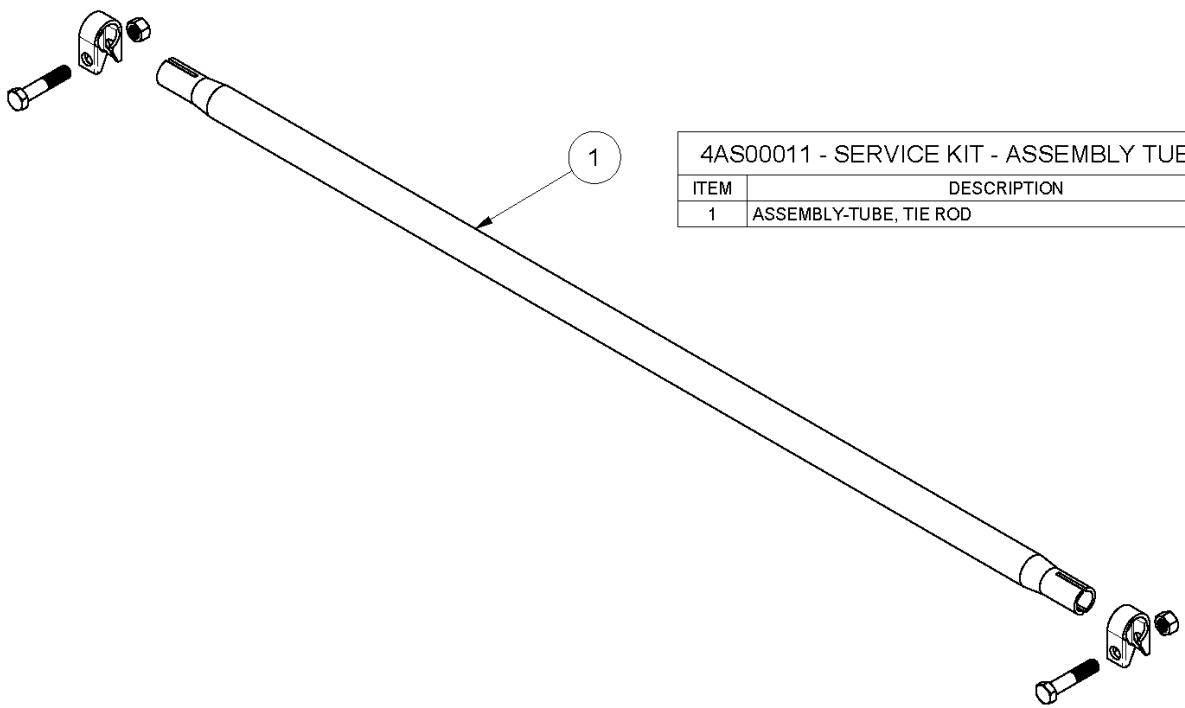


4AS00009 - SERVICE KIT - TIE ROD END (LH THREAD)		
ITEM	DESCRIPTION	QTY
1	PIN-COTTER, .125 X 1.75	1
2	TIE ROD END ASSM. (LH)	1



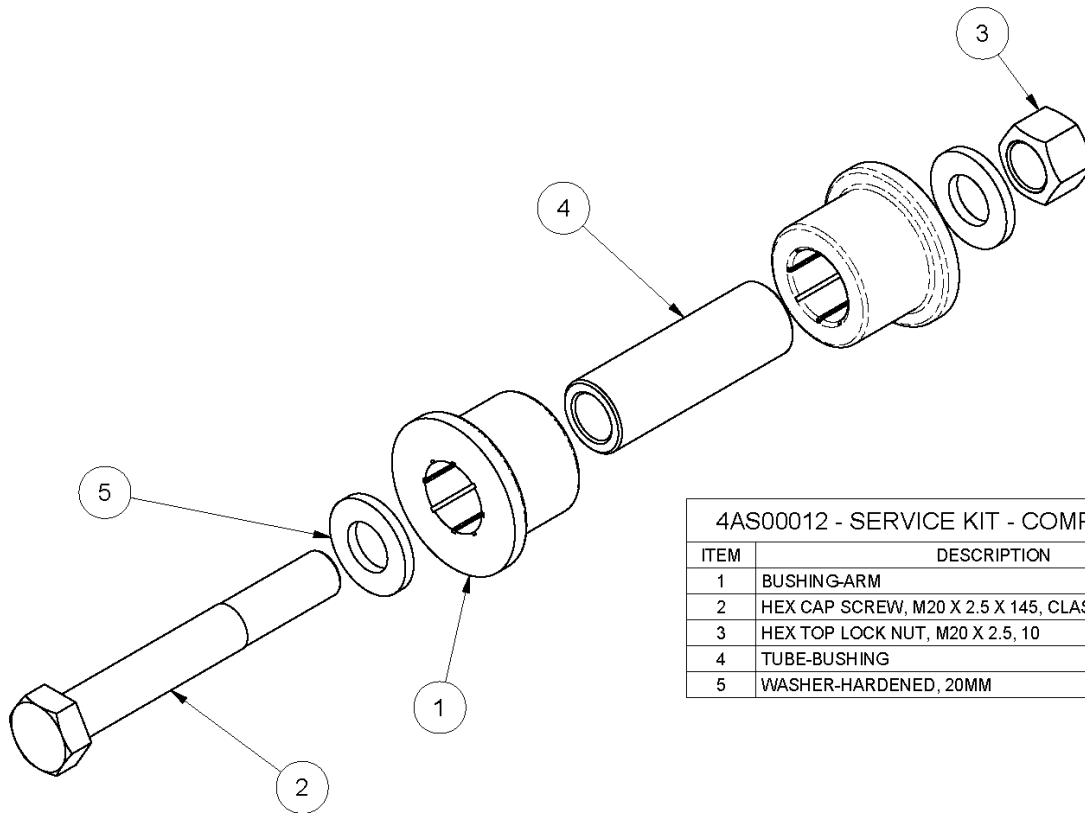
4AS00010 - SERVICE KIT - TIE ROD END (RH THREAD)

ITEM	DESCRIPTION	QTY
1	PIN-COTTER, .125 X 1.75	1
2	TIE ROD END ASSM. (RH)	1

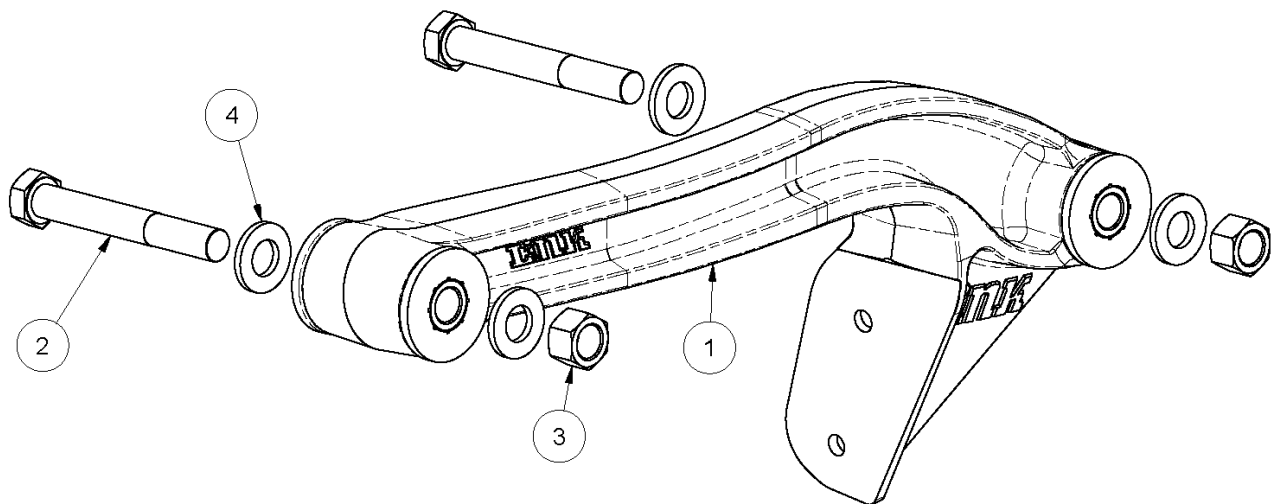


4AS00011 - SERVICE KIT - ASSEMBLY TUBE-TIE ROD

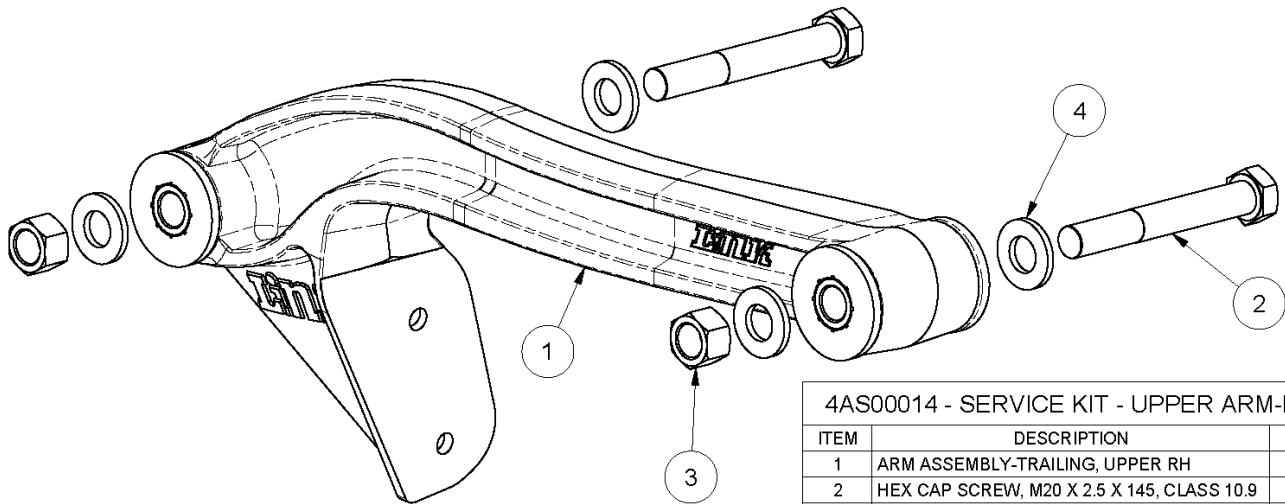
ITEM	DESCRIPTION	QTY
1	ASSEMBLY-TUBE, TIE ROD	1



4AS00012 - SERVICE KIT - COMPLETE BUSHING		
ITEM	DESCRIPTION	QTY
1	BUSHING-ARM	16
2	HEX CAP SCREW, M20 X 2.5 X 145, CLASS 10.9	8
3	HEX TOP LOCK NUT, M20 X 2.5, 10	8
4	TUBE-BUSHING	8
5	WASHER-HARDENED, 20MM	16

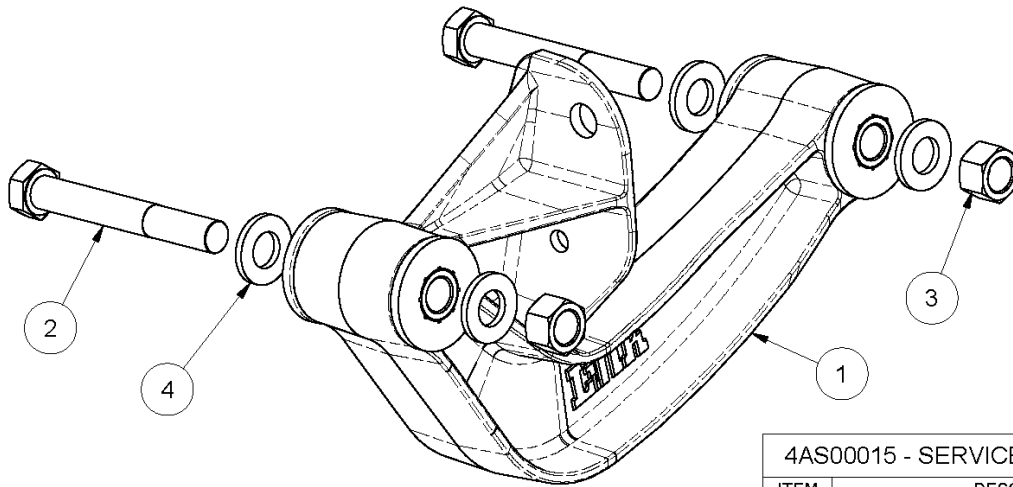


4AS00013 - SERVICE KIT - UPPER ARM-LH		
ITEM	DESCRIPTION	QTY
1	ARM ASSEMBLY-TRAILING, UPPER LH	1
2	HEX CAP SCREW, M20 X 2.5 X 145, CLASS 10.9	2
3	HEX TOP LOCK NUT, M20 X 2.5, 10	2
4	WASHER-HARDENED, 20MM	4



4AS00014 - SERVICE KIT - UPPER ARM-RH

ITEM	DESCRIPTION	QTY
1	ARM ASSEMBLY-TRAILING, UPPER RH	1
2	HEX CAP SCREW, M20 X 2.5 X 145, CLASS 10.9	2
3	HEX TOP LOCK NUT, M20 X 2.5, 10	2
4	WASHER-HARDENED, 20MM	4

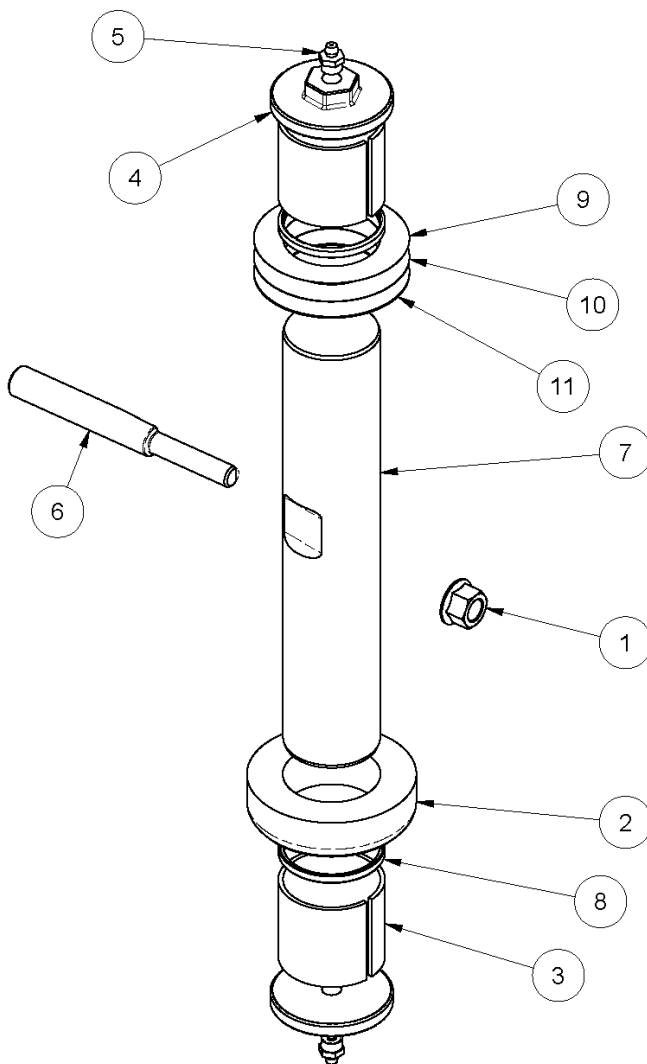
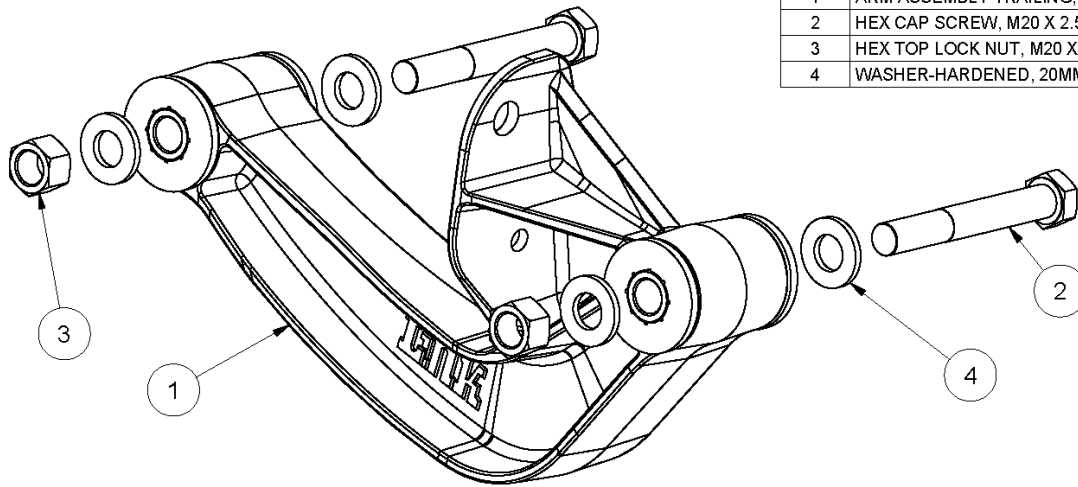


4AS00015 - SERVICE KIT - LOWER ARM-LH

ITEM	DESCRIPTION	QTY
1	ARM ASSEMBLY-TRAILING, LOWER LH	1
2	HEX CAP SCREW, M20 X 2.5 X 145, CLASS 10.9	2
3	HEX TOP LOCK NUT, M20 X 2.5, 10	2
4	WASHER-HARDENED, 20MM	4

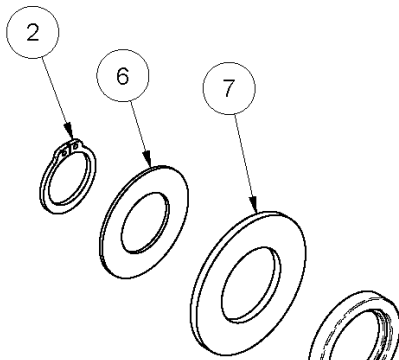
4AS00016 - SERVICE KIT - LOWER ARM-RH

ITEM	DESCRIPTION	QTY
1	ARM ASSEMBLY-TRAILING, LOWER RH	1
2	HEX CAP SCREW, M20 X 2.5 X 145, CLASS 10.9	2
3	HEX TOP LOCK NUT, M20 X 2.5, 10	2
4	WASHER-HARDENED, 20MM	4



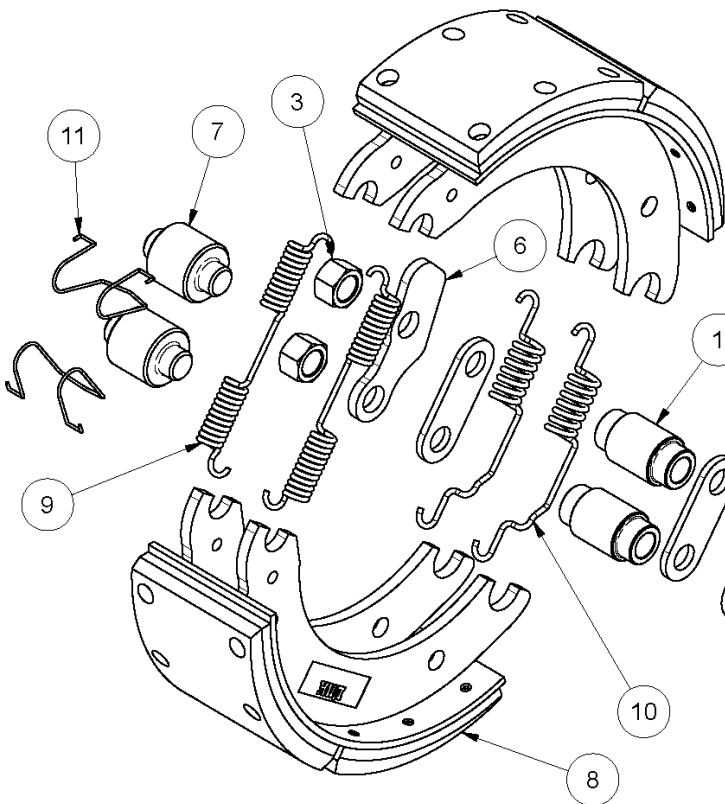
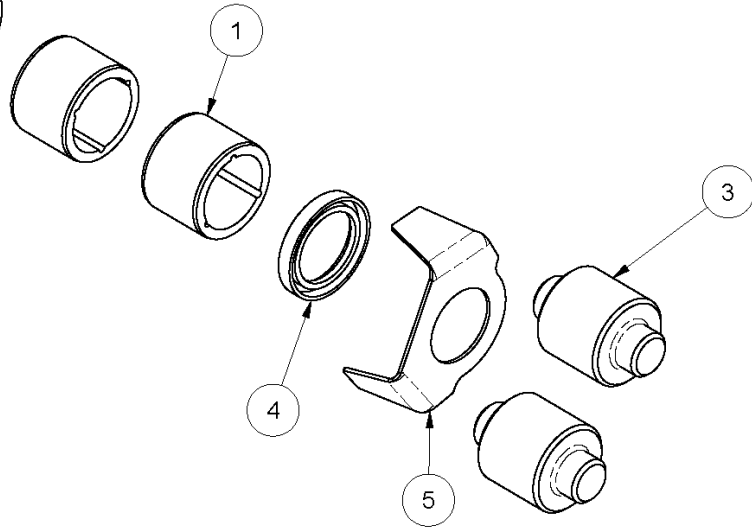
4AS00017 - SERVICE KIT - COMPLETE KINGPIN

ITEM	DESCRIPTION	QTY
1	7/16 UNC HEX TOP LOCK FLANGE NUT, GRADE G	2
2	BEARING-THRUST	2
3	BUSHING-KNUCKLE, DX10	4
4	CAP-KING PIN	4
5	FITTING-GREASE, 1/8-27STR THD FORM	4
6	PIN-DRAW, LOCKING	2
7	PIN-KING, 13.5K (1.88)	2
8	SEAL-KNUCKLE	4
9	SHIM (.005)	2
10	SHIM (.010)	2
11	SHIM (.030)	2



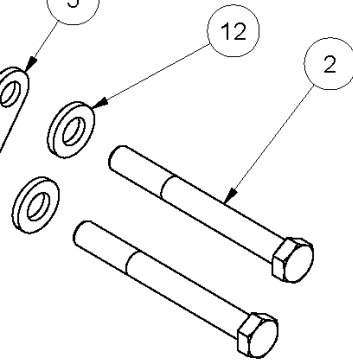
4AS00019 - SERVICE KIT - COMPLETE CAM BUSHING AND SEAL

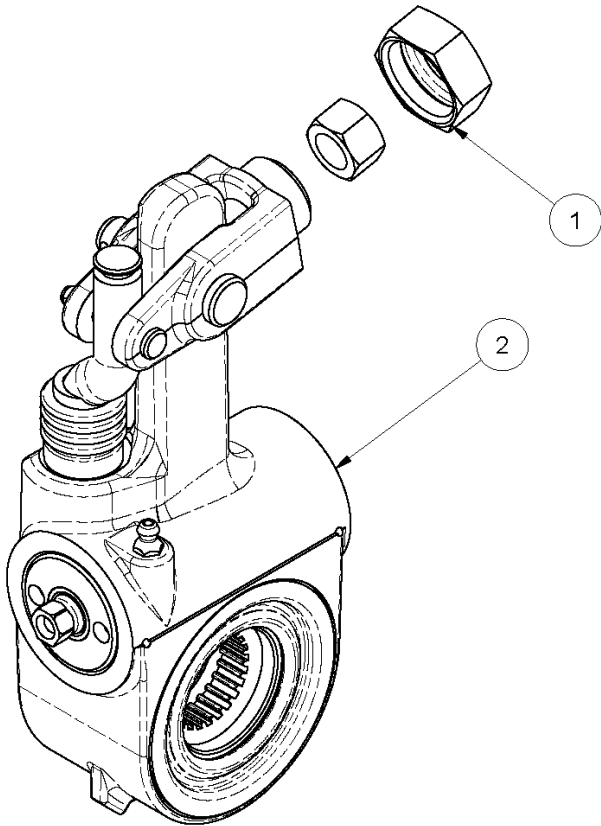
ITEM	DESCRIPTION	QTY
1	BUSHING-CAMSHAFT	4
2	RETAINING RING-CAMSHAFT	2
3	ROLLER-CAM	4
4	SEAL-CAMSHAFT	4
5	WASHER-CAM HEAD	2
6	WASHER-CAMSHAFT (1.88 X 1.03 X .06)	2
7	WASHER-CAMSHAFT (2.38 X 1.28 X .13)	2



4AS00020 - SERVICE KIT - COMPLETE BRAKE

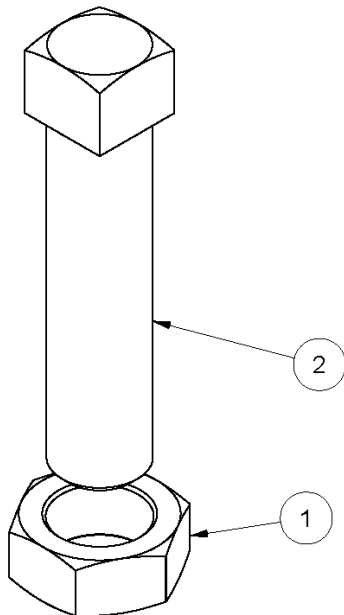
ITEM	DESCRIPTION	QTY
1	ANCHOR-BRAKE SHOE, 10K	4
2	HEX CAP SCREW, M16 X 2.0 X 140, 10.9	4
3	HEX TOP LOCK NUT, M16 X 2.0, 10	4
4	INSTRUCTION-INSTALLATION-4AS00020	1
5	PLATE-ANCHOR	4
6	PLATE-PUSH, STEERING LOCK	2
7	ROLLER-CAM	4
8	SHOE-BRAKE, 12.25 X 4.00 LINED	4
9	SPRING-10K RETURN	4
10	SPRING-BRAKE RETAIN, 10K	4
11	SPRING-RETAINING, CAM ROLLER	4
12	WASHER-HARDENED, 16MM	4





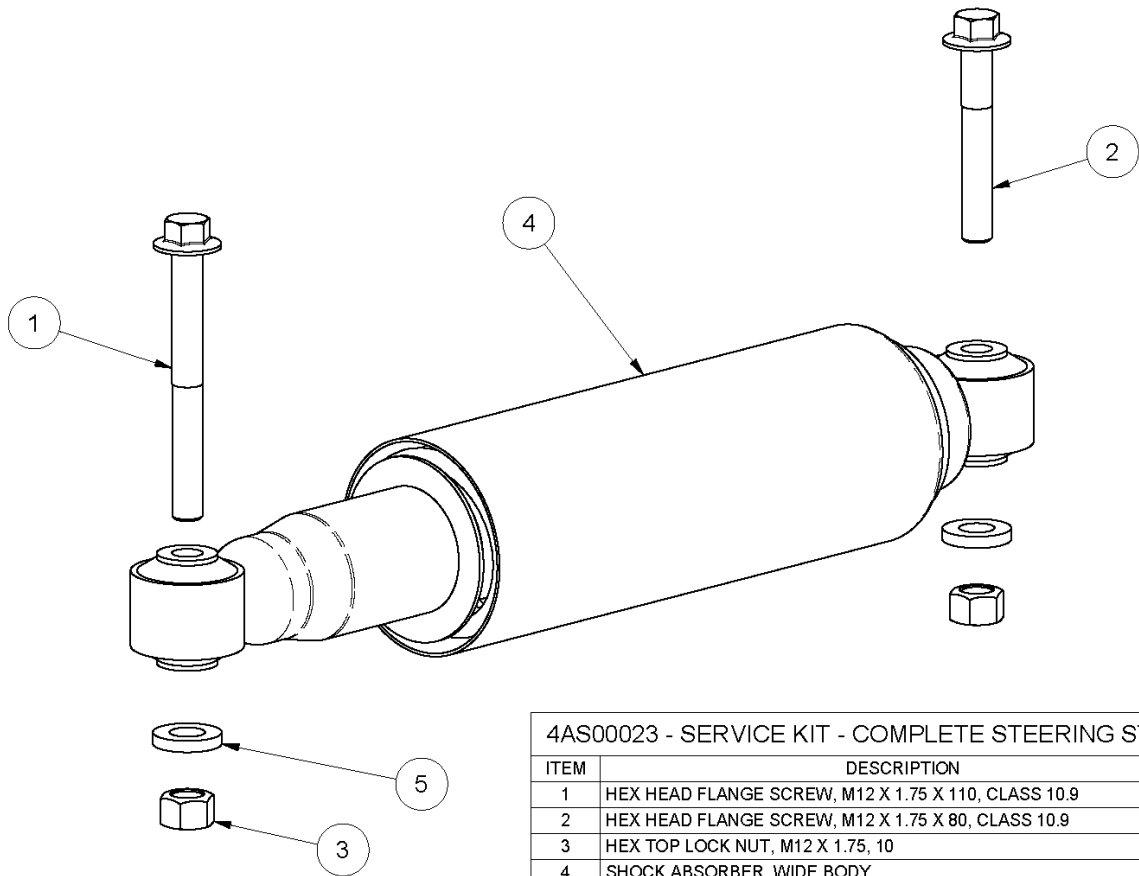
4AS00021 - SERVICE KIT - SLACK ADJUSTER

ITEM	DESCRIPTION	QTY
1	KIT-CONNECTING, SLACK ADJUSTER	1
2	SLACK ADJUSTER-1-1/4" 24 SPLINE	1



4AS00022 - SERVICE KIT - STEERING STOP BOLT

ITEM	DESCRIPTION	QTY
1	5/8 UNC HEX JAM NUT, GR 5	1
2	BOLT-STOP, STEERING, GEOMET	1

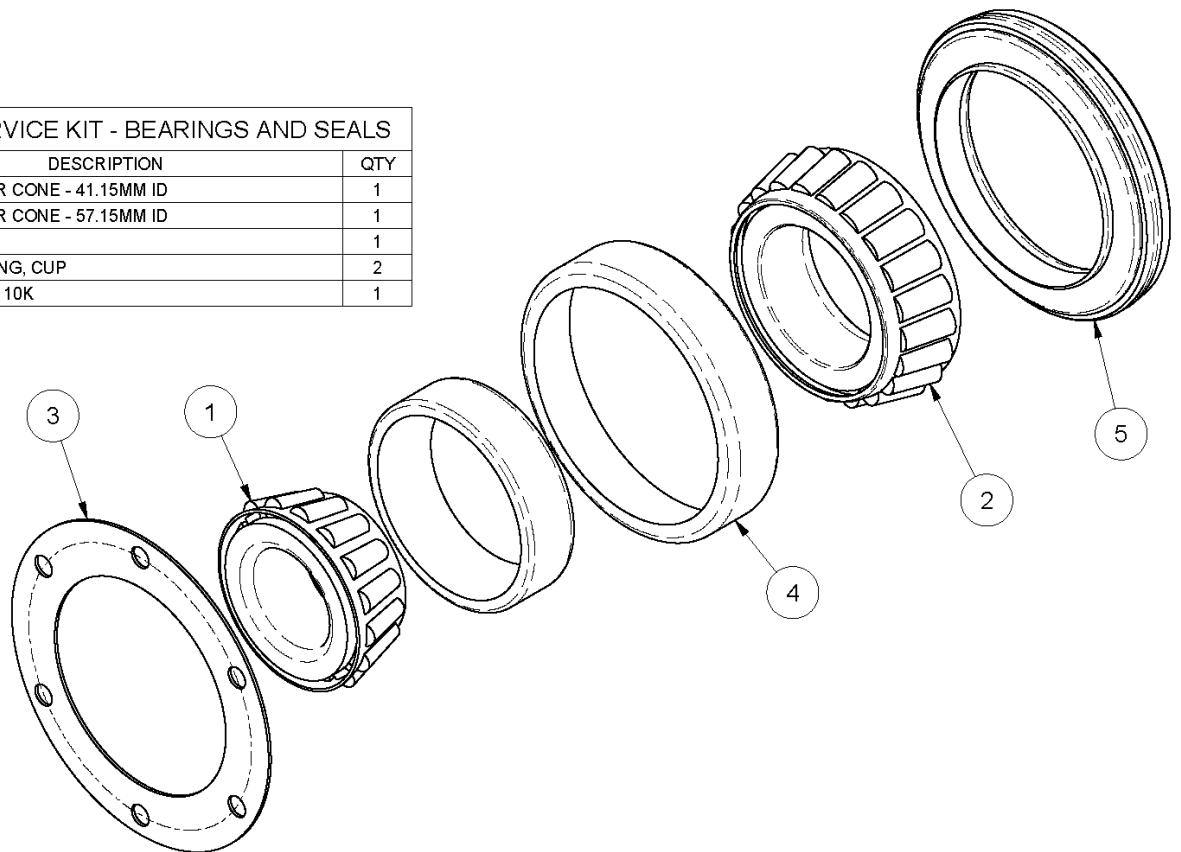


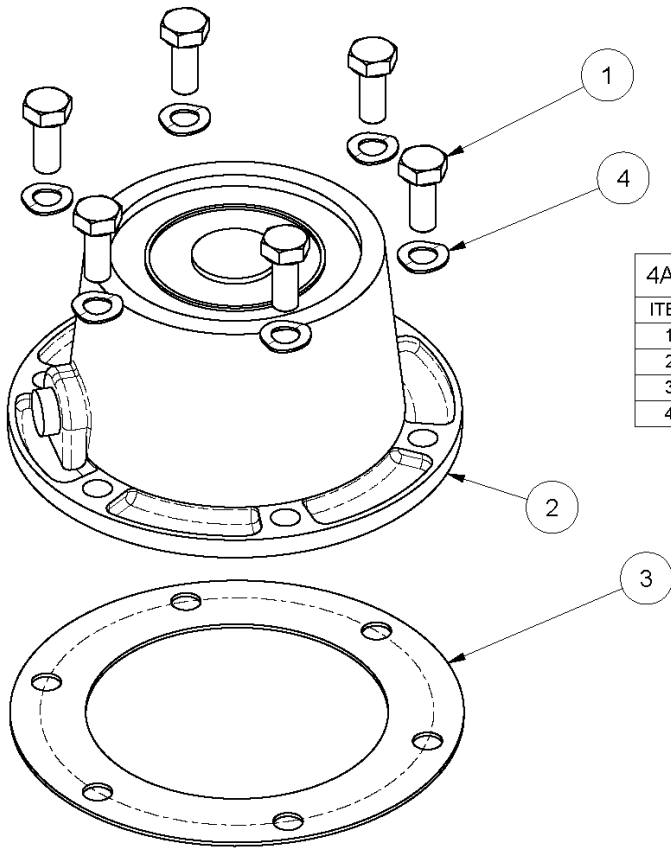
4AS0023 - SERVICE KIT - COMPLETE STEERING STABILIZER

ITEM	DESCRIPTION	QTY
1	HEX HEAD FLANGE SCREW, M12 X 1.75 X 110, CLASS 10.9	2
2	HEX HEAD FLANGE SCREW, M12 X 1.75 X 80, CLASS 10.9	2
3	HEX TOP LOCK NUT, M12 X 1.75, 10	4
4	SHOCK ABSORBER, WIDE BODY	2
5	WASHER-HARDENED, 12MM	4

4AS0028 - SERVICE KIT - BEARINGS AND SEALS

ITEM	DESCRIPTION	QTY
1	BEARING-INNER CONE - 41.15MM ID	1
2	BEARING-INNER CONE - 57.15MM ID	1
3	GASKET	1
4	ROLLER BEARING, CUP	2
5	SEAL-SPINDLE, 10K	1



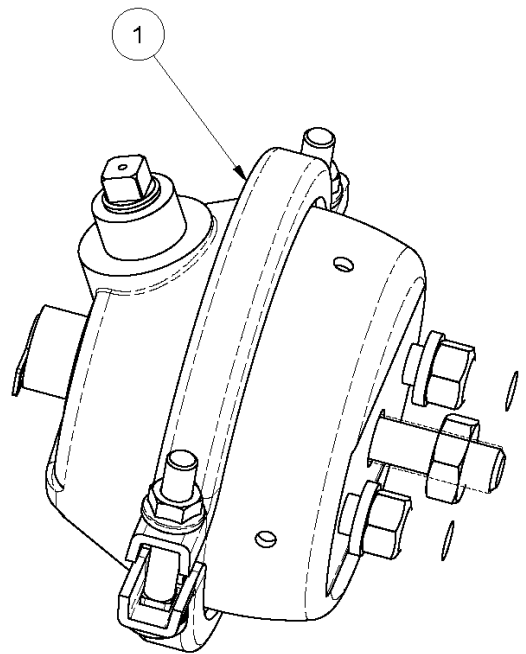


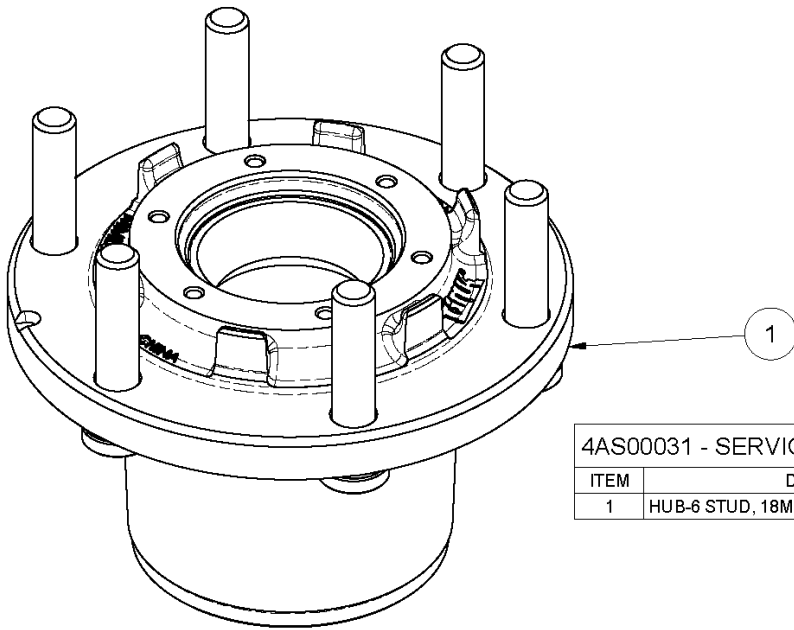
4AS00029 - SERVICE KIT - HUB CAP ASSEMBLY

ITEM	DESCRIPTION	QTY
1	5/16 X 7/8 UNC HEX CAP SCREW, GR 5	6
2	CAP-HUB, 6 HOLE, 4.5" B.C.	1
3	GASKET	1
4	WASHER-SPRING	6

4AS00030 - SERVICE KIT - CHAMBER-BRAKE

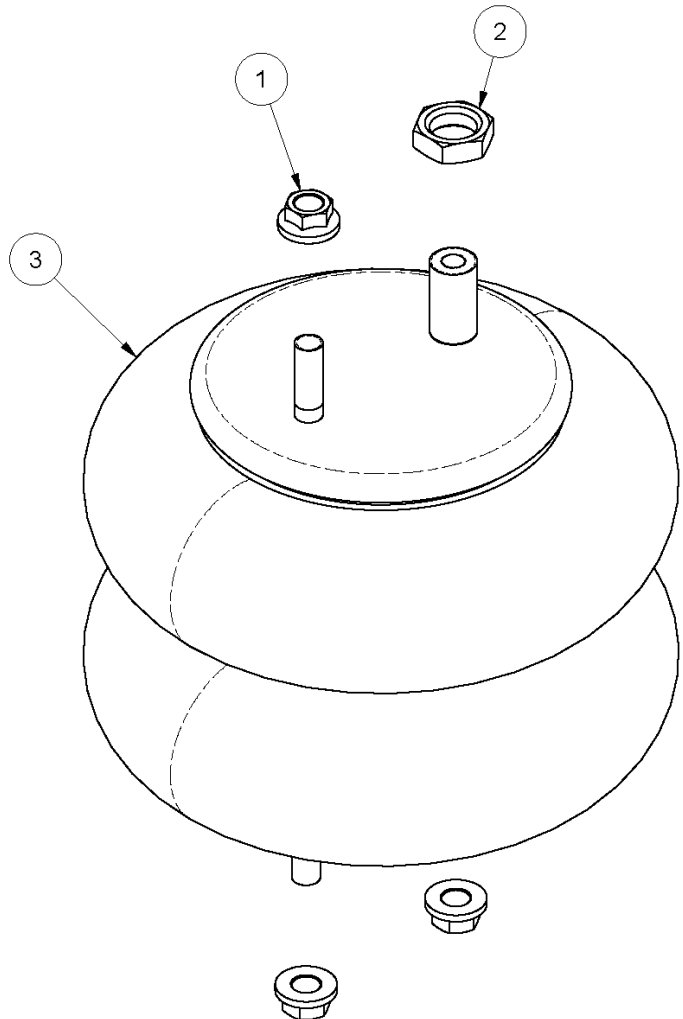
ITEM	DESCRIPTION	QTY
1	CHAMBER-BRAKE, TYPE 12	1





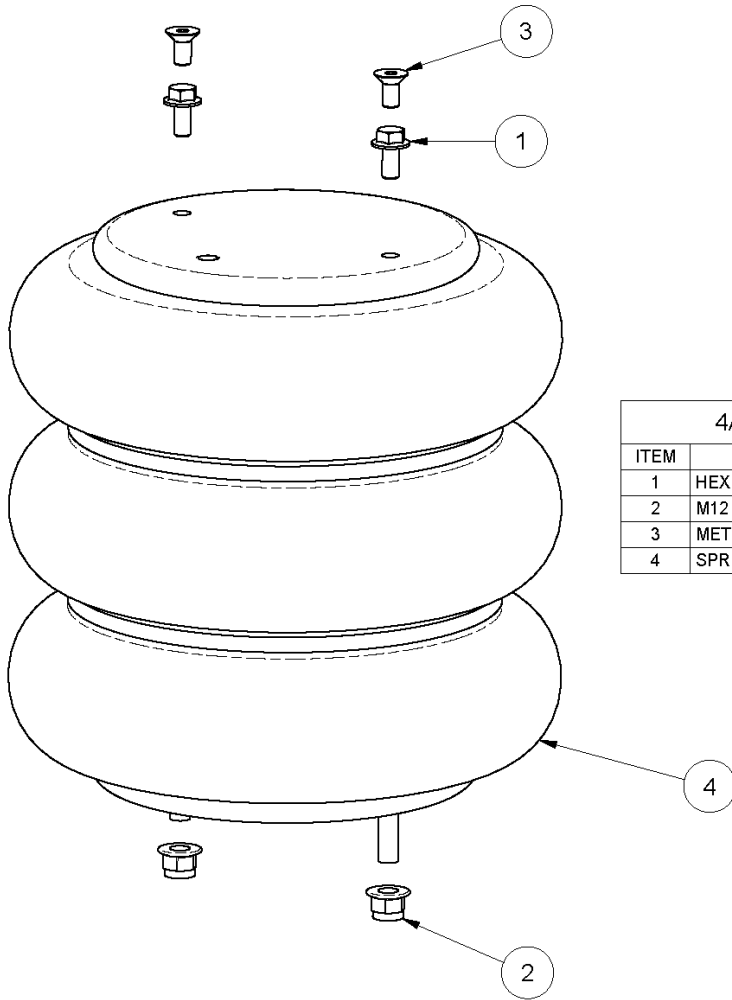
4AS00031 - SERVICE KIT - HUB PILOTED HUB

ITEM	DESCRIPTION	QTY
1	HUB-6 STUD, 19MM	1



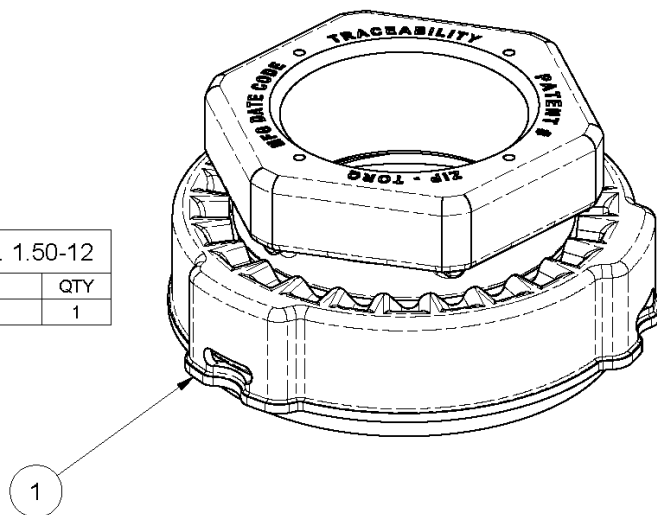
4AS00032 - SERVICE KIT - LIFT SPRING

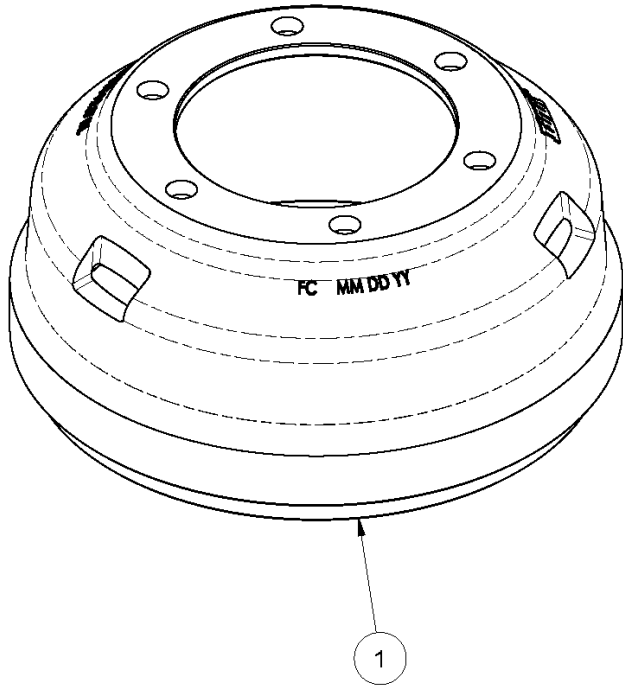
ITEM	DESCRIPTION	QTY
1	M12 X 1.75 SERRATED FLANGE NUT	3
2	M20 X 1.5 JAM NUT	1
3	SPRING-AIR	1



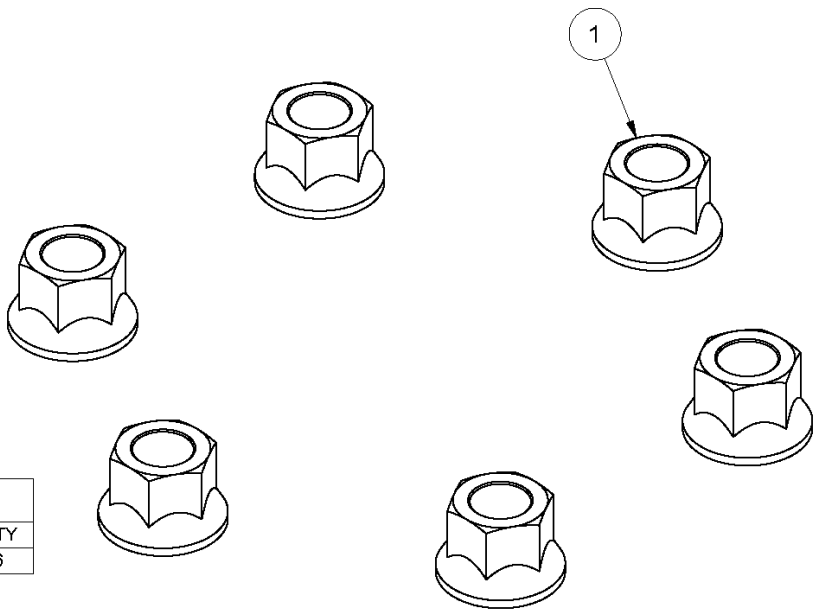
4AS00033 - SERVICE KIT - LOAD SPRING		
ITEM	DESCRIPTION	QTY
1	HEX HEAD FLANGE SCREW, M10 X 1.50 X 20, CLASS 10.9	2
2	M12 X 1.75 HEX FLANGE NYLOCK NUT (CLASS 8)	2
3	METRIC FLAT HEAD CAP SCREW, M10 X 1.50, CLASS 10.9	2
4	SPRING-AIR	1

4AS00034 - SERVICE KIT - NUT-ZIP-TORQ. 1.50-12		
ITEM	DESCRIPTION	QTY
1	NUT-ZIP-TORQ, 1.50-12	1





4AS00046 - SERVICE KIT - DRUM		
ITEM	DESCRIPTION	QTY
1	12.25X4" -6 STUD , BRAKE DRUM 205MM BC	1



4AS00048 - SERVICE KIT - WHEEL NUT		
ITEM	DESCRIPTION	QTY
1	NUT-FLANGE, M18X1.5	6



LINK MANUFACTURING, LTD.
223 15TH ST. NE, SIOUX CENTER, IA 51250
1-800-222-6283 www.linkmfg.com