

**LINK** | **Air Link<sup>®</sup> TD**  
Tandem Drive Suspension

Link Mfg. Ltd.  
223 15th St. N.E.  
Sioux Center, IA USA  
51250-2120  
[www.linkmfg.com](http://www.linkmfg.com)

**QUESTIONS?  
CALL CUSTOMER  
SERVICE  
1-800-222-6283**

# INSTALLATION INSTRUCTIONS

**4AL00001  
4AL00002  
Air Spring Kit**



**IMPORTANT:** IT IS IMPORTANT THAT THE ENTIRE INSTALLATION INSTRUCTIONS BE READ THOROUGHLY BEFORE PROCEEDING WITH THE INSTALLATION.






## 1. INTRODUCTION

Thank you for choosing a Link Air Link™ Suspension. We want to help you get the best results from this suspension and to operate it safely. This instruction contains information to assist in the installation of the air spring assemblies for your Link Air Link™ Suspension. This instruction is intended solely for use with this product.

All information in this instruction is based on the latest information available at the time of printing. Link Manufacturing reserves the right to change its products or manuals at any time without notice.

Damaged components should be returned to Link with a pre-arranged Returned Materials Authorization (RMA) number through the Customer Service Department. The damaged component may then be replaced if in compliance with warranty conditions.

## 2. SAFETY SYMBOLS, TORQUE SYMBOL, and NOTES

 <b>DANGER</b>	<b>DANGER</b> indicates a hazardous situation which if not avoided, will result in death or serious injury.
 <b>WARNING</b>	<b>WARNING</b> indicates a potentially hazardous situation which, if not avoided, could result in death or serious injury.
 <b>CAUTION</b>	<b>CAUTION</b> indicates a potentially hazardous situation which, if not avoided, could result in minor or moderate injury.
 <b>NOTICE</b>	<b>NOTICE</b> indicates a potentially hazardous situation which, if not avoided, may result in property damage.
 <b>TORQUE</b>	<b>TORQUE</b> indicates named fasteners are to be tightened to a specified torque value.
<b>NOTE:</b>	A Note provides information or suggestions that help you correctly perform a task.

## 3. SAFE WORKING PRACTICES

### 3.1 **CAUTION**

When handling parts, wear appropriate gloves, eyeglasses, ear protection, and other safety equipment.

### 3.2 **CAUTION**

Practice safe lifting procedures. Consider size, shape, and weight of assemblies. Obtain help or the assistance of a crane when lifting heavy assemblies. Make certain the path of travel is clear.

## 4. INSTALLATION GUIDELINES

**4.1** In order for this suspension to operate properly, it must operate in the parameters specified by Link.

**4.2** It is the responsibility of the installer to determine the location of the suspension in order to obtain proper load distribution.

**4.3** No alterations of any Link suspension component is permitted without proper authorization from qualified Link personnel.

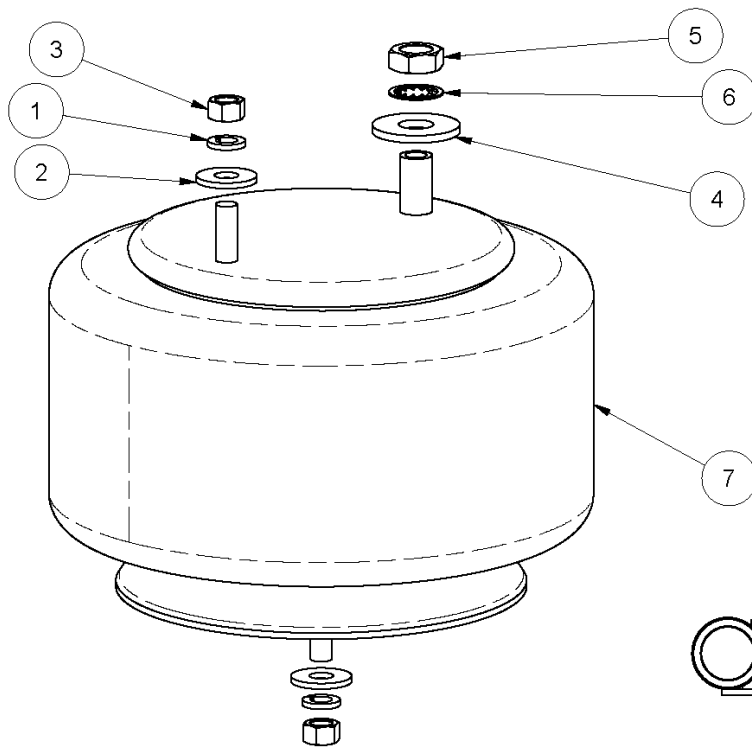
**4.4** No welding of any suspension components is permitted except when specified by Link.

### 4.5 **CAUTION**

The vehicle manufacturer should be consulted before any modifications are made to the frame of the vehicle. Cutting or altering the frame in certain areas may affect the manufacturer's warranty.

### 4.6 **CAUTION**

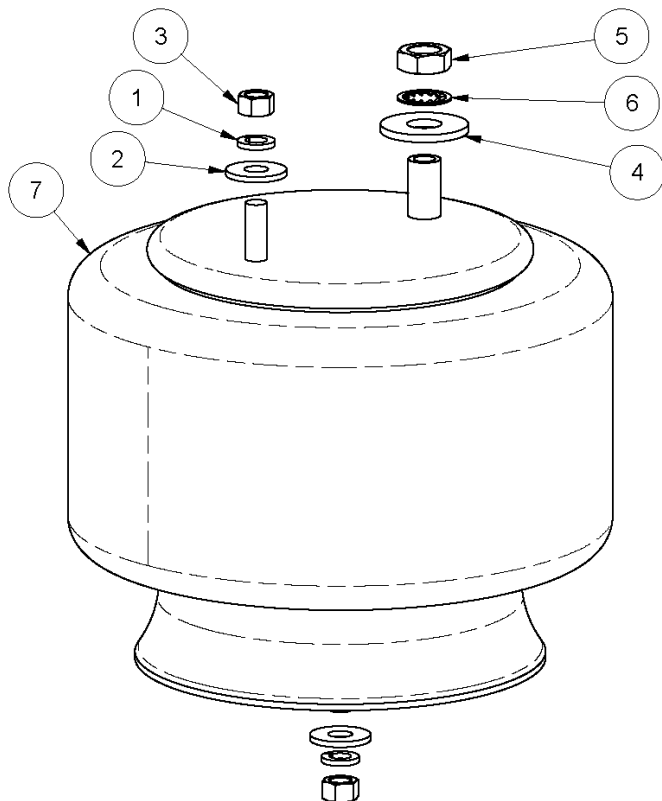
Proper tightening of fasteners is important to the performance and safety of the suspension. Follow all torque specifications throughout the instructions.



FOR USE WITH GEN 3 SUSPENSION

4AL00001 - SERVICE KIT - AIR SPRING		
ITEM	DESCRIPTION	QTY
1	1/2 LOCK WASHER OIL&PHOS	2
2	1/2 TYPE A PLAIN WASHER, PHOS & OIL	2
3	1/2 UNC HEX NUT (GR B) O&P	2
4	3/4 TYPE A PLAIN WASHER, PHOS & OIL	1
5	3/4 UNF HEX JAM NUT, O&P	1
6	3/4" INTERNAL TOOTH LOCK WASHER	1
7	SPRING-AIR	1

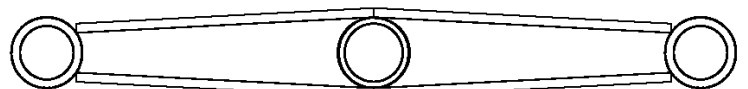
GEN 3 WALKING BEAM CONFIGURATION



FOR USE WITH GEN 2 SUSPENSION

4AL00002 - SERVICE KIT - AIR SPRING		
ITEM	DESCRIPTION	QTY
1	1/2 LOCK WASHER OIL&PHOS	2
2	1/2 TYPE A PLAIN WASHER, PHOS & OIL	2
3	1/2 UNC HEX NUT (GR B) O&P	2
4	3/4 TYPE A PLAIN WASHER, PHOS & OIL	1
5	3/4 UNF HEX JAM NUT, O&P	1
6	3/4" INTERNAL TOOTH LOCK WASHER	1
7	SPRING-AIR	1

GEN 2 WALKING BEAM CONFIGURATION



## 5. ASSEMBLING THE AIR SPRING TO THE AIR SPRING HANGER AND TRAILING ARM

### 5.1 Required Tools

- Torque Wrench 30 FT-LB minimum
- Socket (3/4")
- Wrench (1 1/8")
- Wrench (3/4")
- Ratchet Wrench

**NOTE:** The following steps are for aftermarket installation applications.

**5.2** Place an air spring into the air spring hanger. Line up the air spring studs with the openings on the air hanger (See FIG. 1).

**NOTICE** Ensure alignment of the stud and combo air/stud to the appropriate slot in the air spring hanger. Refer to suspension drawing for details.

**5.3** Line up the stud on the base of the air bag with the corresponding opening on the trailing arm. Secure the bottom of the air spring to the trailing arm using the 1/2" flat washer, lock washer and standard hex nut (See FIG. 2).

**TORQUE** 1/2" fasteners to 30 FT-LBS.

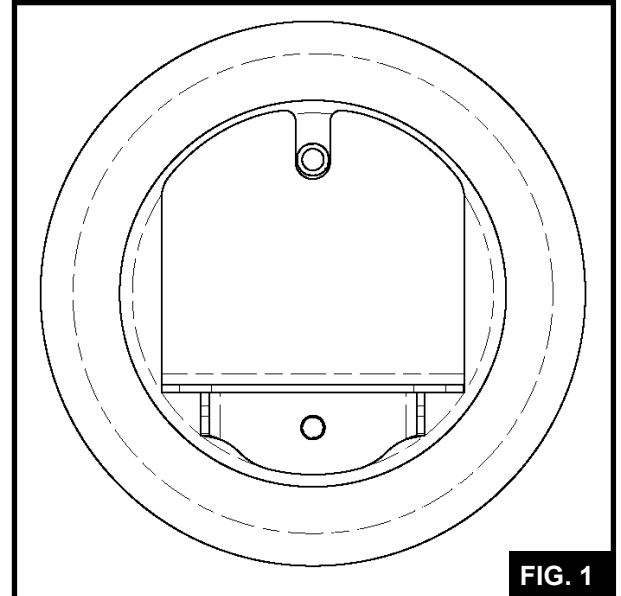


FIG. 1

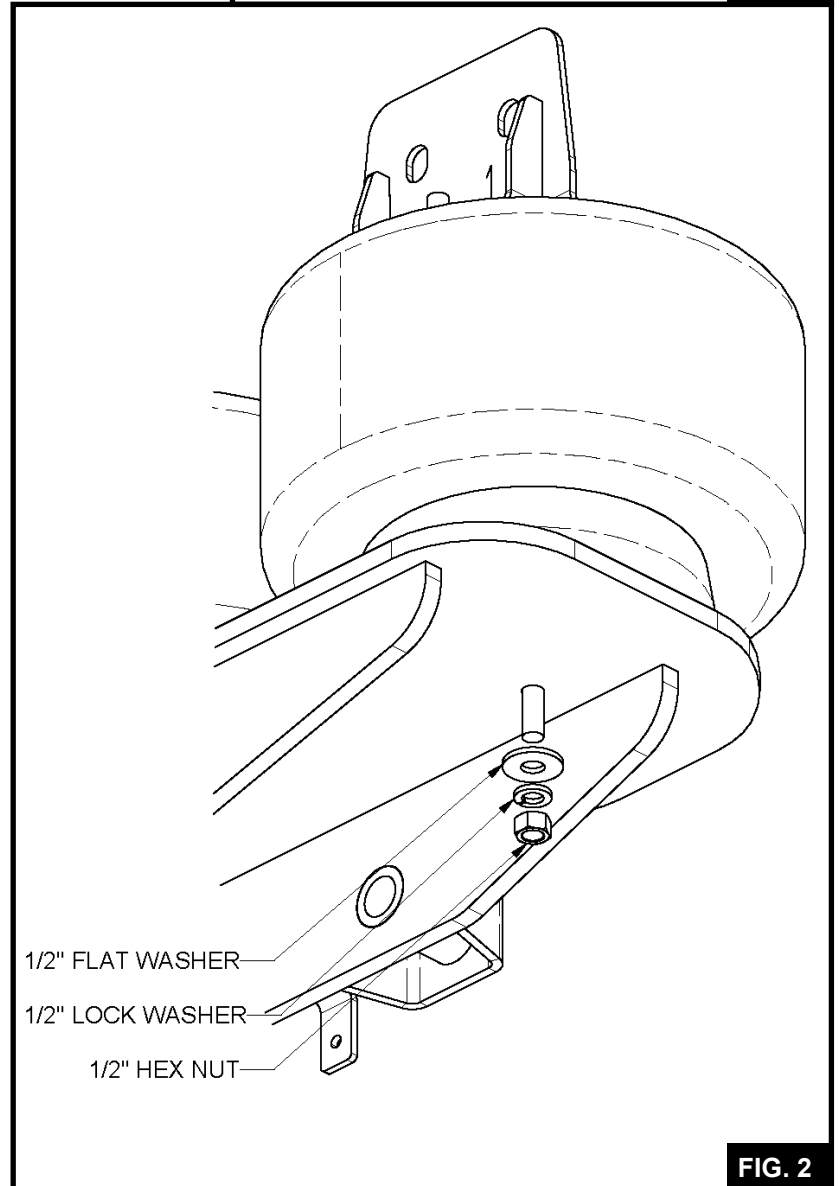


FIG. 2

## 5. (CONTINUED)

**5.4** Secure the air spring top stud to the air spring hangers, using the 1/2" flat washer, lock washer and standard hex nut (See FIG. 3).

**TORQUE** 1/2" fasteners to 30 FT-LBS.

**5.4** Secure the combo fitting to the air spring hangers with the 3/4" flat washer, internal tooth lock washer and the jam nut (See FIG. 3).

**TORQUE** 3/4" fasteners to 30 FT-LBS.

**5.5** Repeat steps 1 through 4 to each of the four air springs (See FIG. 4). Secure into the suspension.

**NOTICE** It is easiest to install the forward air springs first, then the rear based on the room in the suspension.

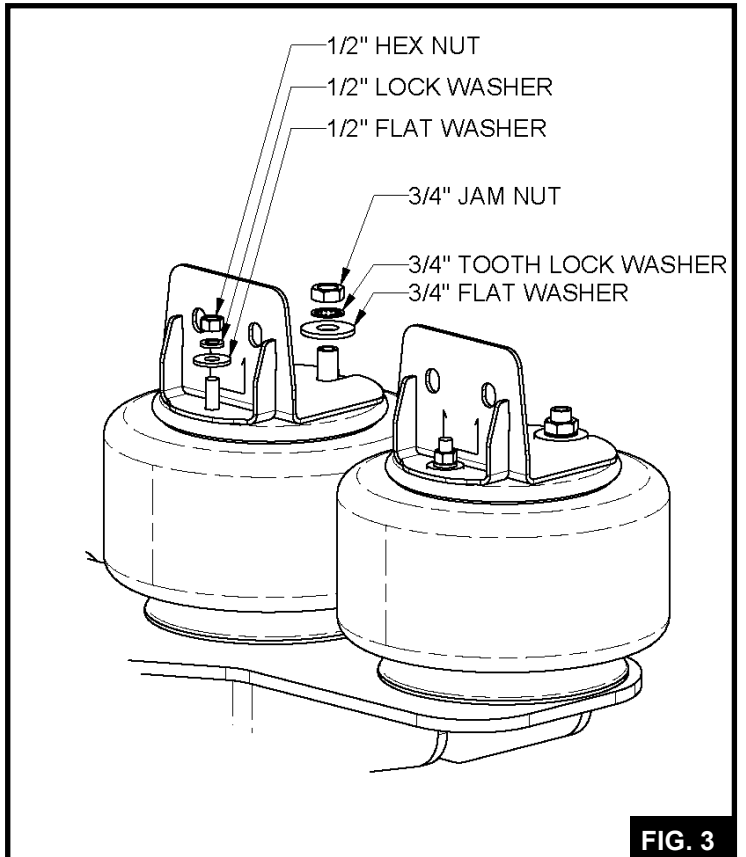


FIG. 3

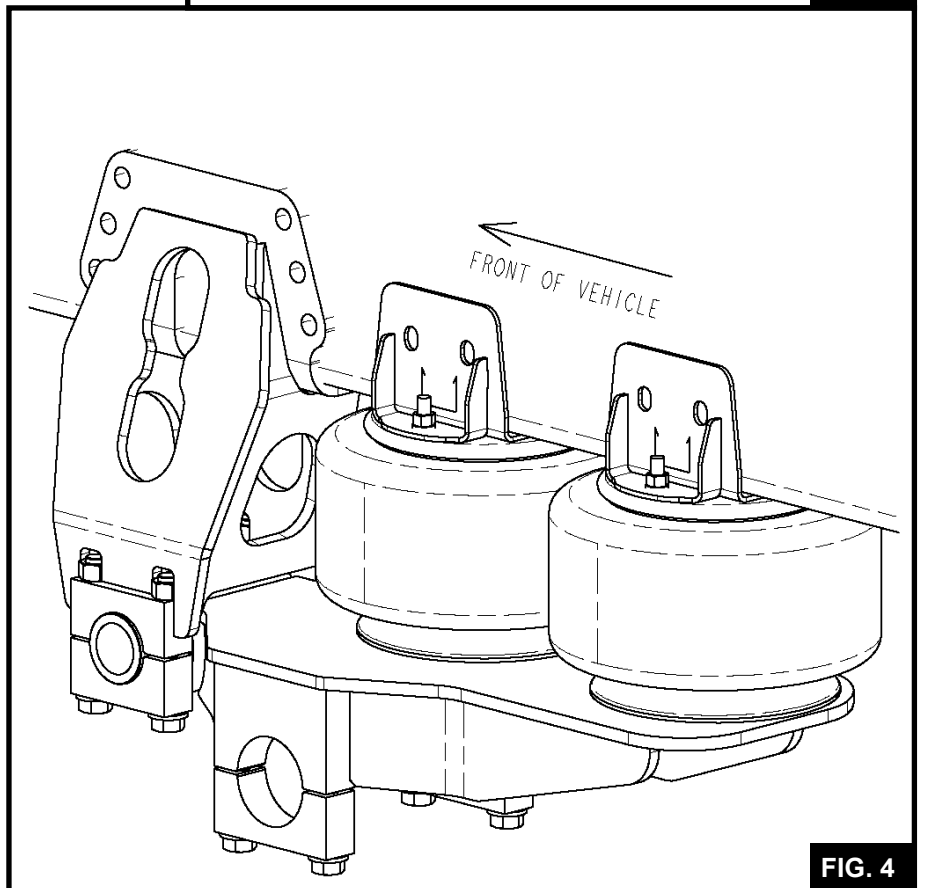


FIG. 4



LINK MANUFACTURING, LTD.  
223 15TH ST. NE, SIOUX CENTER, IA 51250  
1-800-222-6283 [www.linkmfg.com](http://www.linkmfg.com)