

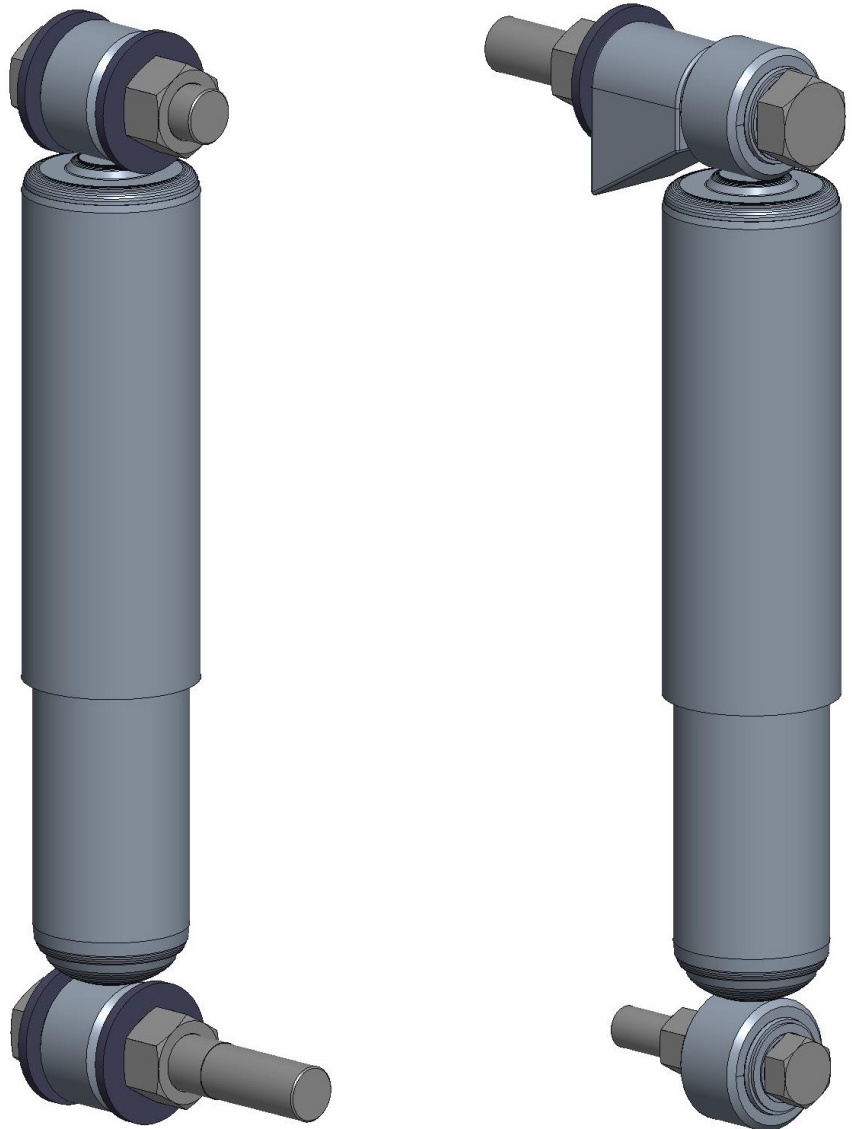
LINK | **Air Link[®] TD**
Tandem Drive Suspension

Link Mfg. Ltd.
223 15th St. N.E.
Sioux Center, IA USA
51250-2120
www.linkmfg.com

**QUESTIONS?
CALL CUSTOMER
SERVICE
1-800-222-6283**

INSTALLATION INSTRUCTIONS

**4AL00003 (Gen 3)
4AL00004 (Gen 2)
Shock Kit**



IMPORTANT: IT IS IMPORTANT THAT THE ENTIRE INSTALLATION INSTRUCTIONS BE READ THOROUGHLY BEFORE PROCEEDING WITH THE INSTALLATION.






1. INTRODUCTION

Thank you for choosing a Link Air Link™ Suspension. We want to help you get the best results from this suspension and to operate it safely. This instruction contains information to assist in the installation of the shock assemblies for your Link Air Link™ Suspension. This instruction is intended solely for use with this product.

All information in this instruction is based on the latest information available at the time of printing. Link Manufacturing reserves the right to change its products or manuals at any time without notice.

Damaged components should be returned to Link with a pre-arranged Returned Materials Authorization (RMA) number through the Customer Service Department. The damaged component may then be replaced if in compliance with warranty conditions.

2. SAFETY SYMBOLS, TORQUE SYMBOL, and NOTES

 DANGER	DANGER indicates a hazardous situation which if not avoided, will result in death or serious injury.
 WARNING	WARNING indicates a potentially hazardous situation which, if not avoided, could result in death or serious injury.
 CAUTION	CAUTION indicates a potentially hazardous situation which, if not avoided, could result in minor or moderate injury.
 NOTICE	NOTICE indicates a potentially hazardous situation which, if not avoided, may result in property damage.
 TORQUE	TORQUE indicates named fasteners are to be tightened to a specified torque value.
NOTE:	A Note provides information or suggestions that help you correctly perform a task.

3. SAFE WORKING PRACTICES

3.1 **CAUTION**

When handling parts, wear appropriate gloves, eyeglasses, ear protection, and other safety equipment.

3.2 **CAUTION**

Practice safe lifting procedures. Consider size, shape, and weight of assemblies. Obtain help or the assistance of a crane when lifting heavy assemblies. Make certain the path of travel is clear.

4. INSTALLATION GUIDELINES

4.1 In order for this suspension to operate properly, it must operate in the parameters specified by Link.

4.2 It is the responsibility of the installer to determine the location of the suspension in order to obtain proper load distribution.

4.3 No alterations of any Link suspension component is permitted without proper authorization from qualified Link personnel.

4.4 No welding of any suspension components is permitted except when specified by Link.

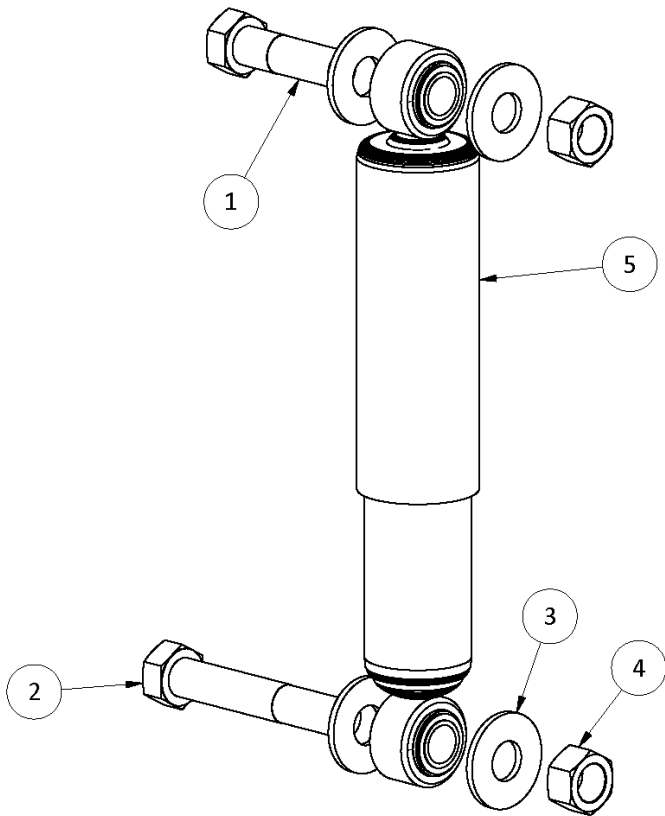
4.5 **CAUTION**

The vehicle manufacturer should be consulted before any modifications are made to the frame of the vehicle. Cutting or altering the frame in certain areas may affect the manufacturer's warranty.

4.6 **CAUTION**

Proper tightening of fasteners is important to the performance and safety of the suspension. Follow all torque specifications throughout the instructions.

4.7 There are two versions of the Link Air Link™ Suspension, Gen 2 and Gen 3. In order to identify which suspension you have refer to the walking beam images associated with the kit on page 3 of this manual.

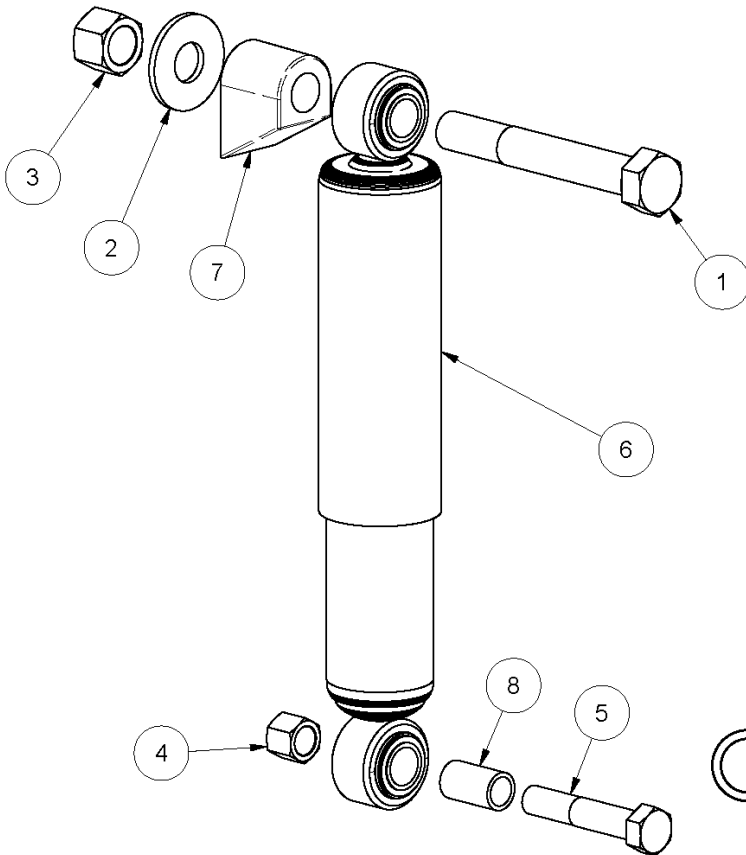
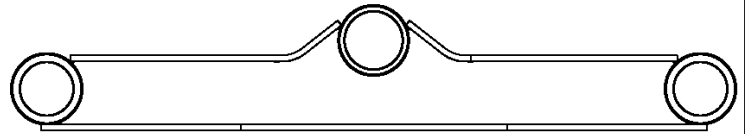


FOR USE WITH GEN 3 SUSPENSION

4AL00003 - SERVICE KIT - SHOCK

ITEM	DESCRIPTION	QTY
1	1 X 3 1/2 UNC HEX CAP SCR (GR 8) O&P	2
2	1 X 6 UNC HEX CAP SCR (GR 8) O&P	2
3	1" TYPE A PLAIN WASHER, PHOS & OIL	4
4	1" UNC HEX TOP LOCK NUT (GR C) O&P	4
5	SHOCK	2

GEN 3 WALKING BEAM CONFIGURATION

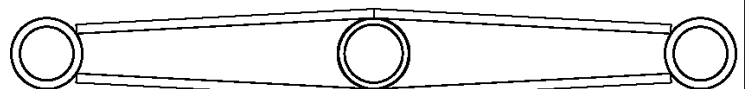


FOR USE WITH GEN 2 SUSPENSION

4AL00004 - SERVICE KIT - SHOCK

ITEM	DESCRIPTION	QTY
1	1 X 7 UNC HEX CAP SCR (GR 8) O&P	2
2	1" TYPE A PLAIN WASHER, PHOS & OIL	2
3	1" UNC HEX NYLOCK NUT (GR B)	2
4	3/4 UNF HEX NYLOCK NUT (GR B)	2
5	3/4 x 4 UNF HEX CAP SCR (GR 8) O&P	2
6	SHOCK	2
7	SPACER-SHOCK	2
8	TUBE-SHOCK	2

GEN 2 WALKING BEAM CONFIGURATION



5. ASSEMBLING THE GEN 3 SHOCK TO THE FRAME AND TRAILING ARM

5.1 Required Tools

- Torque Wrench 250 FT-LB minimum
- Socket (1 1/2")
- Wrench (1 1/2")
- Ratchet Wrench or Air Impact Gun

NOTE: The following steps are for aftermarket installation applications.

5.2 Orient the shock so that the dust cover is on the top and open downwards (See FIG. 1).

5.3 Install and align the lower shock eye to the shock bracket of the trailing arm (See FIG. 2).

NOTE: The trailing arm must be level when installing the shock.

5.4 Insert the 1" hex bolt through the shock bracket and through the lower shock eye and install the flat washer and hex nut (See FIG. 2).

⚠ WARNING Make sure the bolt head is oriented to outside of the shock bracket.

5.5 Align the upper shock eye until the bolt lines up with the threaded hole in the frame mounted shock bracket (See FIG. 3).

5.6 Install the 1" bolt through the upper shock eye into the upper shock mount bracket on the frame.

5.7 Install the 1" flat washer on outside of upper shock and along with the hex nut.

5.8 Install bolt until it is fully seated.

TORQUE 1" fasteners to 250 FT-LBS.

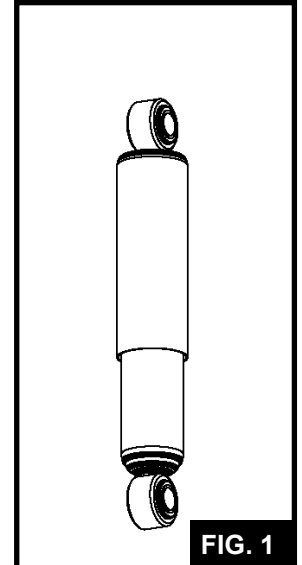


FIG. 1

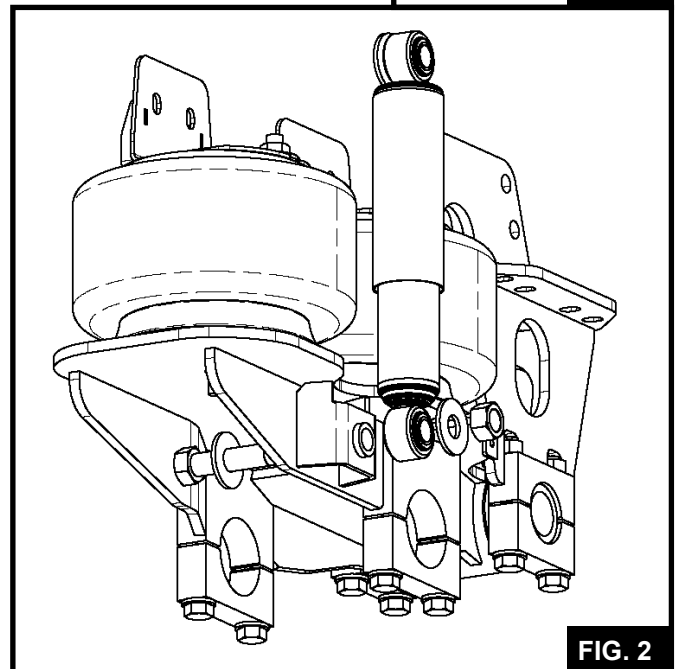


FIG. 2

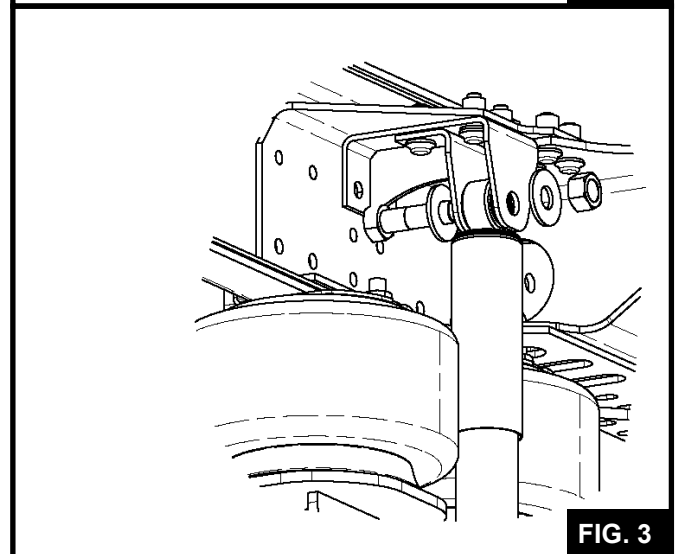


FIG. 3

6. ASSEMBLING THE GEN 2 SHOCK TO THE FRAME AND TRAILING ARM

6.1 Required Tools

- Torque Wrench 250 FT-LB minimum
- Socket (1 1/2")
- Socket (1 1/8")
- Wrench (1 1/8")
- Ratchet Wrench or Air Impact Gun

NOTE: The following steps are for aftermarket installation applications.

6.2 Orient the shock so that the dust cover is on the top and open downwards and press shock spacer into the lower shock eye (See FIG. 4).

NOTICE This allows the lower eye to adapt to 3/4" hardware.

6.3 Install the lower shock eye in between the plates of the trailing arm shock mount bracket and line up the bores (See FIG. 5).

NOTE: The trailing arm must be level when installing the shock.

6.4 Insert the 3/4" bolt through the shock bracket and install the 3/4" Nylock nut (See FIG. 5).

WARNING Make sure bolt head is oriented to the outside of the suspension.

6.5 Align the upper shock eye until the bolt lines up with the threaded hole in the frame mounted shock bracket (See FIG. 5).

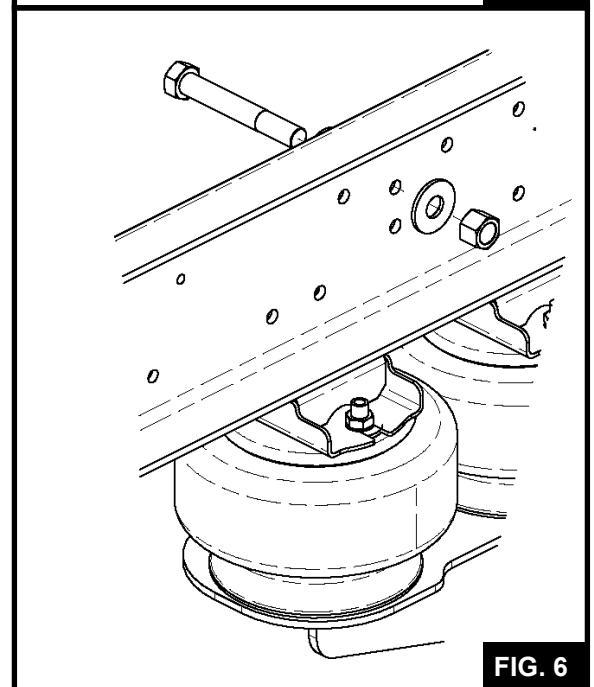
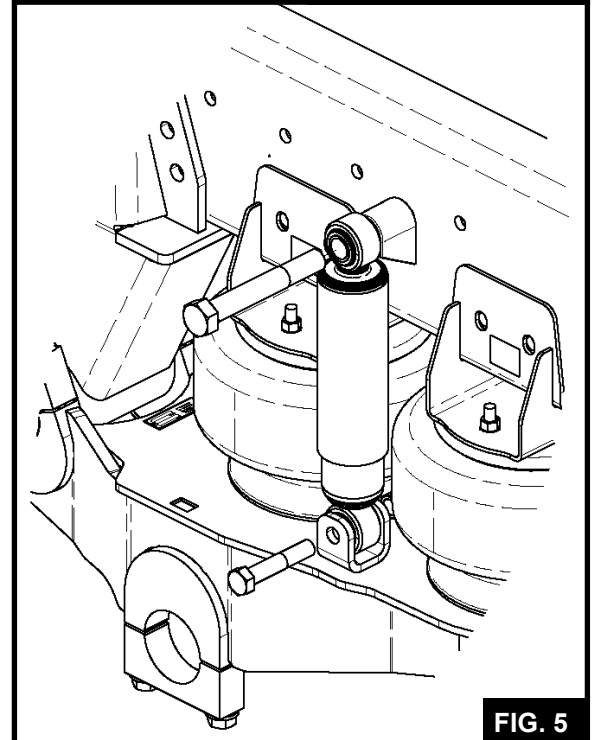
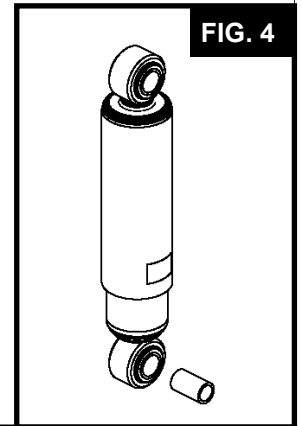
6.6 Install the 1" flat washer on outside of upper shock.

6.7 Install the 1" bolt through the upper shock eye into the upper shock mount bracket on the frame.

6.8 Install bolt until it is fully seated.

TORQUE 1" fasteners to 250 FT-LBS.

TORQUE 3/4" fasteners to 200 FT-LBS.



7. SHOCK LEAK INSPECTION

7.1 With the shock absorber fully extended, inspect the shock for any leaking that may occur. Most types of shock absorbers are equipped with a premium seal to prevent leaking. However, in the event that the shock absorber is leaking, a stream of fluid will appear such as shown in **Figure 7** from the upper seal. This is easily identified by checking underneath the main body (dust cover) of the shock absorber. If leaking is present, replace immediately as this is considered unacceptable.

