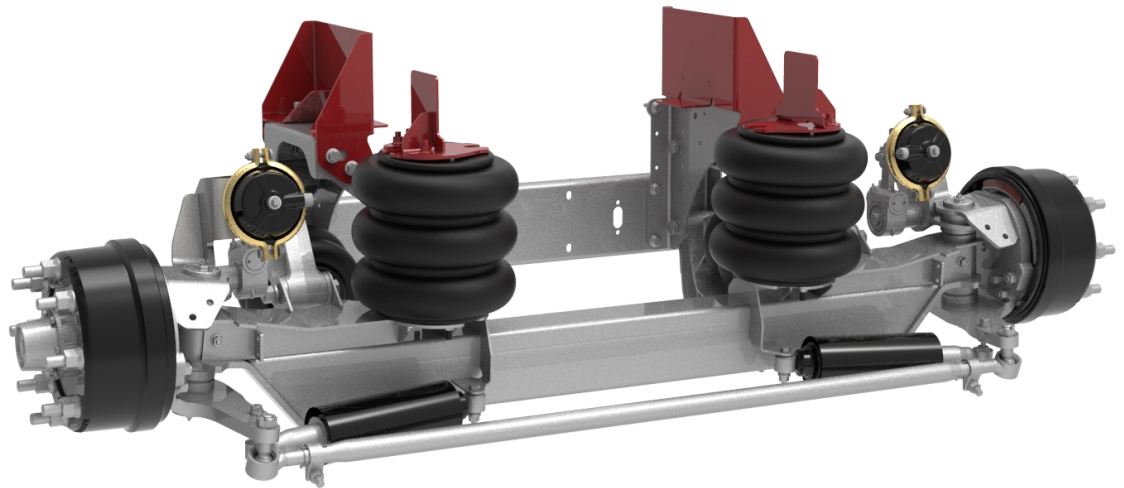


LINK Auxiliary Suspensions

INSTALLATION INSTRUCTIONS

10K Auxiliary Suspension
10,000 LBS. CAPACITY



Link Mfg. Ltd.
223 15th St. N.E.
Sioux Center, IA USA
51250-2120
www.linkmfg.com

**QUESTIONS?
CALL CUSTOMER
SERVICE
1-800-222-6283**

Refer to separate Owner's Manual for details regarding operation and maintenance.

80003565
FEB 25, 2022

IMPORTANT: IT IS IMPORTANT THAT THE ENTIRE INSTALLATION INSTRUCTIONS BE READ THOROUGHLY BEFORE PROCEEDING WITH SUSPENSION INSTALLATION.






1. INTRODUCTION

Thank you for choosing a Link 10K Auxiliary Suspension. We want to help you get the best results from this suspension and to operate it safely. This manual contains information to introduce you to the Link 10K Auxiliary Suspension and to assist you with its installation. This manual is intended solely for use with this product.

All information in this manual is based on the latest information available at the time of printing. Link Manufacturing reserves the right to change its products or manuals at any time without notice.

Damaged components should be returned to Link with a pre-arranged Returned Materials Authorization (RMA) number through the Customer Service Department. The damaged component may then be replaced if in compliance with warranty conditions.

2. SAFETY SYMBOLS, TORQUE SYMBOL, and NOTES

	DANGER indicates a hazardous situation which if not avoided, will result in death or serious injury.
	WARNING indicates a potentially hazardous situation which, if not avoided, could result in death or serious injury.
	CAUTION indicates a potentially hazardous situation which, if not avoided, could result in minor or moderate injury.
	NOTICE indicates a potentially hazardous situation which, if not avoided, may result in property damage.
	TORQUE indicates named fasteners are to be tightened to a specified torque value.
NOTE:	A Note provides information or suggestions that help you correctly perform a task.

3. SAFE WORKING PRACTICES:

3.1

When handling parts, wear appropriate gloves, eyeglasses, ear protection, and other safety equipment.

3.2

Practice safe lifting procedures. Consider size, shape, and weight of assemblies. Obtain help or the assistance of a crane when lifting heavy assemblies. Make certain the path of travel is clear.

4. INSTALLATION GUIDELINES

4.1 In order for this suspension to operate properly, it must operate in the parameters specified by Link.

4.2 The installer must verify the vehicle is configured properly for the lift axle(s) being added.

4.3 It is the responsibility of the installer to determine the location of the suspension in order to obtain proper load distribution.

4.4 Suspension Identification: Each assembly has an identification label located on the hanger of the suspension on the drivers side of the vehicle. The label includes the Link part number for the axle and the suspension serial number.

4.5 No alterations of any Link suspension component is permitted without proper authorization from qualified Link personnel.

4.6 No welding of any suspension components is permitted except when specified by Link.

4.7

The vehicle manufacturer should be consulted before any modifications are made to the frame of the vehicle. Cutting or altering the frame in certain areas may affect the manufacturer's warranty.

4.8

It is the responsibility of the installer to ensure that compliance with FMVSS 121 is maintained by the braking system.

4.9

Proper tightening of fasteners is important to the performance and safety of the suspension. Follow all torque specifications throughout the instructions.

5. PRE-INSTALLATION CHECKLIST

- Verify that the intended axle spacing to be used conforms to Federal and local bridge laws.
- Verify that the frame width matches the suspension specifications (33 3/8" to 35").
- Verify that adequate air supply exists to support braking requirements for the lift axle being installed.
- Verify clearance between the drive shaft and the auxiliary suspension, with the axle lifted and lowered.
- Verify tire clearance in all directions, with the axle lifted and lowered.
- Verify air spring clearance in all directions, with the axle lifted and lowered.
- Verify suspension clearance with truck components, with the axle lifted and lowered.

6. RIDE HEIGHT AND FRAME ACCOMMODATIONS FOR LINK 10K AUXILIARY SUSPENSION

6.1 **NOTICE**

In order for the suspension to function properly, the "Ride Height" of the suspension must be within the range specified by Link Mfg. Refer to the charts on the following pages to select the correct frame kit based on the combination of variables present in your truck's configuration.

6.2 To determine the appropriate Frame Mount Kit use the formula below and then refer to the Lift Chart.

$$\text{Loaded Frame Height} - \text{Loaded Tire Radius} = \text{Ride Height}$$

6.3 With the correct chart, the amount of lift can be found by intersecting the Loaded Tire Radius with the Loaded Frame Height.

NOTE: When measuring frame to ground clearance, be sure to measure with vehicle loaded, at the intended suspension location and on level ground.

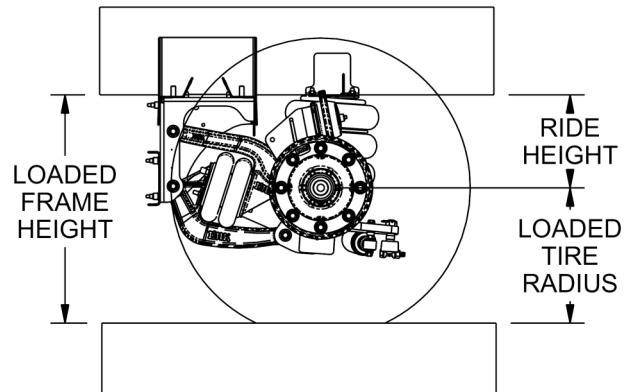
7. FRAME BRACKET KITS:

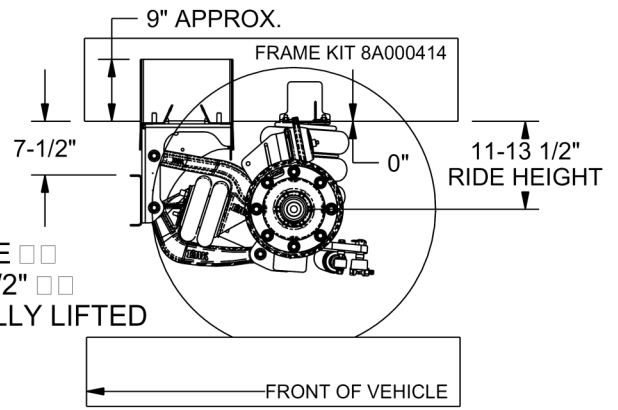
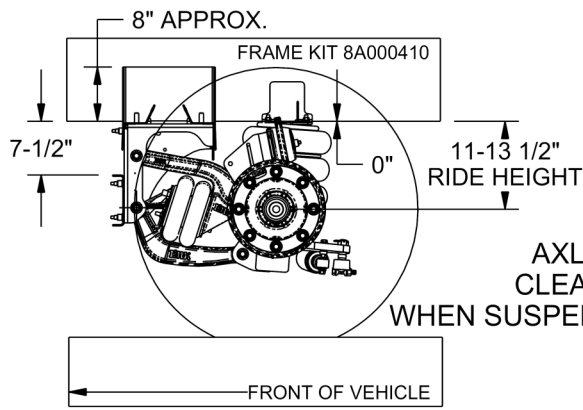
There are 8 frame bracket kits available to allow for a wide range of ride heights and mounting requirements. See the pictures and charts on the following pages for details on Loaded Tire Radius and Suspension Lift.

8A000410-13 are standard height mounting kits. These kits are designed primarily for use in configurations where additional equipment may need to be bolt to the truck frame above the mounting brackets. From the bottom of the truck frame to the top of the bracket, approximately 8 inches of clear space is required.

8A000414-17 are tall height mounting kits. These kits are designed for configurations where additional equipment is not bolted to the truck frame above the brackets. From the bottom of the truck frame to the top of the bracket, approximately 9 inches of clear space is required.

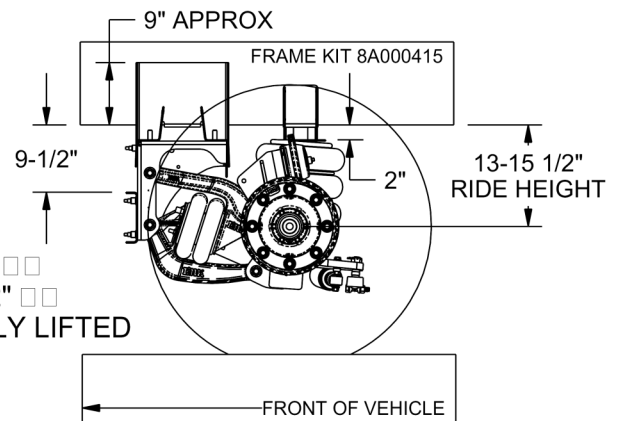
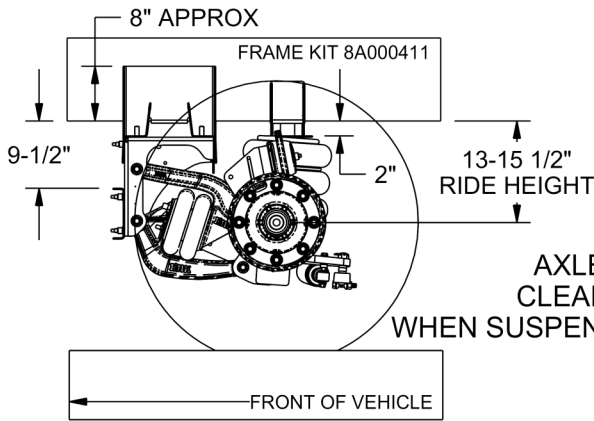
TUBE TYPE	TUBELESS	ISO (METRIC)	LOADED TIRE RADIUS	DIAMETER
7.50R15		215/75R17.5	14	30.2
8.25R15	8.5R17.5	225/70R19.5	15	32.9
	9R17.5	245/70R19.5	15.5	33.1
	10R17.5		15.5	33.9
	8R19.5		16	34
10.00R15			16.5	35.8
7.50R20	8R22.5	255/70R22.5	17	36.5
	11R17.5	245/75R22.5	17	36.6
8.25R20	9R22.5	235/80R22.5	17.5	37.8
		255/75R22.5	17.5	37.7





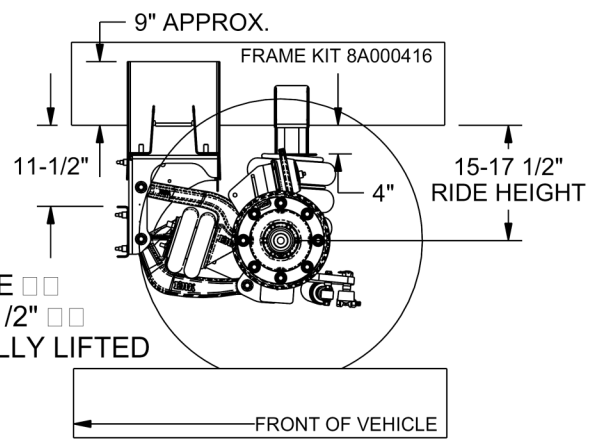
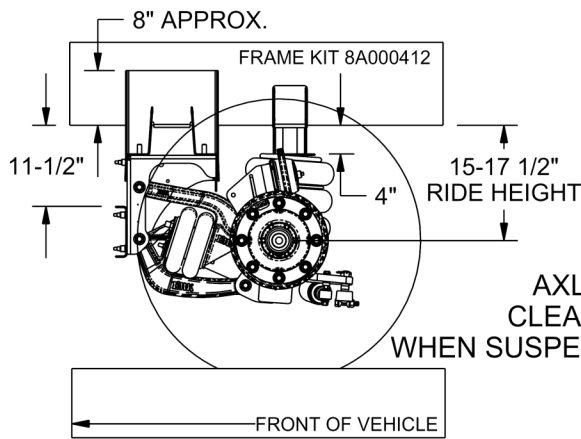
AXLE DRIVE LINE
 CLEARANCE - 6 1/2"
 WHEN SUSPENSION IS FULLY LIFTED

10K LIFT CHART	RIDE HEIGHT 11-13 1/2" <input type="checkbox"/> <input type="checkbox"/> (FRAME MOUNT KIT 8A000410 OR 8A000414)											
LOADED FRAME HEIGHT	25"	25 1/2"	26"	26 1/2"	27"	27 1/2"	28"	28 1/2"	29"	29 1/2"	30"	30 1/2"
TIRE RADIUS												
14" (LOADED)	7"	7 1/2"	8"	8 1/2"	9"	9 1/2"						
15" (LOADED)			7"	7 1/2"	8"	8 1/2"	9"	9 1/2"				
16" (LOADED)					7"	7 1/2"	8"	8 1/2"	9"	9 1/2"		
17" (LOADED)							7"	7 1/2"	8"	8 1/2"	9"	9 1/2"



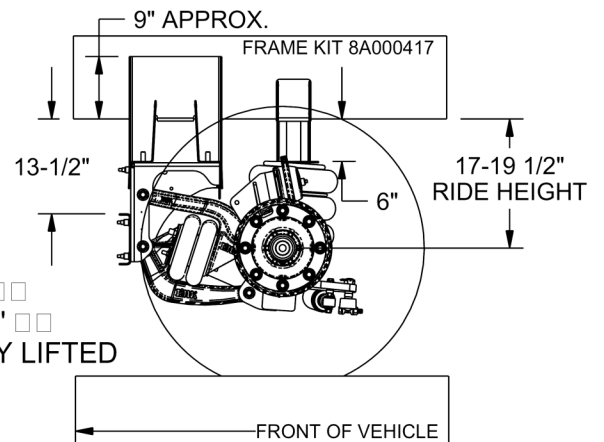
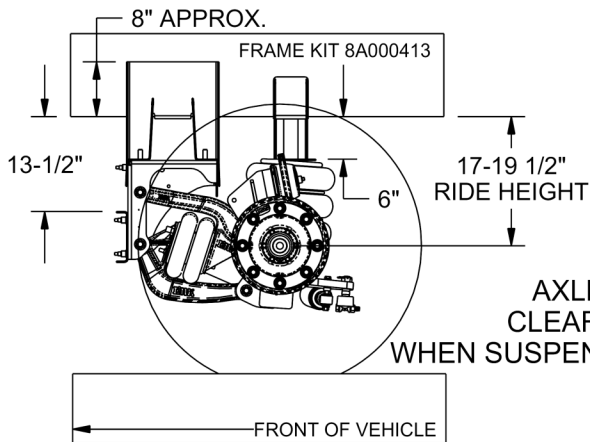
AXLE DRIVE LINE
 CLEARANCE - 8 1/2"
 WHEN SUSPENSION IS FULLY LIFTED

10K LIFT CHART	RIDE HEIGHT 13-15 1/2" <input type="checkbox"/> <input type="checkbox"/> (FRAME MOUNT KIT 8A000411 OR 8A000415)											
LOADED FRAME HEIGHT	27"	27 1/2"	28"	28 1/2"	29"	29 1/2"	30"	30 1/2"	31"	31 1/2"	32"	32 1/2"
TIRE RADIUS												
14" (LOADED)	7"	7 1/2"	8"	8 1/2"	9"	9 1/2"						
15" (LOADED)			7"	7 1/2"	8"	8 1/2"	9"	9 1/2"				
16" (LOADED)					7"	7 1/2"	8"	8 1/2"	9"	9 1/2"		
17" (LOADED)							7"	7 1/2"	8"	8 1/2"	9"	9 1/2"



AXLE DRIVE LINE □□
 CLEARANCE - 10 1/2" □□
 WHEN SUSPENSION IS FULLY LIFTED

10K LIFT CHART	RIDE HEIGHT 15-17 1/2" □□ (FRAME MOUNT KIT 8A000412 OR 8A000416)											
LOADED FRAME HEIGHT	29"	29 1/2"	30"	30 1/2"	31"	31 1/2"	32"	32 1/2"	33"	33 1/2"	34"	34 1/2"
TIRE RADIUS												
14 (LOADED)	7"	7 1/2"	8"	8 1/2"	9"	9 1/2"						
15 (LOADED)			7"	7 1/2"	8"	8 1/2"	9"	9 1/2"				
16 (LOADED)					7"	7 1/2"	8"	8 1/2"	9"	9 1/2"		
17 (LOADED)							7"	7 1/2"	8"	8 1/2"	9"	9 1/2"



AXLE DRIVE LINE □□
 CLEARANCE - 12 1/2" □□
 WHEN SUSPENSION IS FULLY LIFTED

10K LIFT CHART	RIDE HEIGHT 17-19 1/2" □□ (FRAME MOUNT KIT 8A000413 OR 8A000418)											
LOADED FRAME HEIGHT	31"	31 1/2"	32"	32 1/2"	33"	33 1/2"	34"	34 1/2"	35"	35 1/2"	36"	36 1/2"
TIRE RADIUS												
14 (LOADED)	7"	7 1/2"	8"	8 1/2"	9"	9 1/2"						
15 (LOADED)			7"	7 1/2"	8"	8 1/2"	9"	9 1/2"				
16 (LOADED)					7"	7 1/2"	8"	8 1/2"	9"	9 1/2"		
17 (LOADED)							7"	7 1/2"	8"	8 1/2"	9"	9 1/2"

8. SUSPENSION LOCATION

8.1 Before determining the suspension location, thoroughly review the pre-installation checklist found in Section 5 of this manual. Be sure that the vehicle is located on a flat and level surface before measuring for suspension location. When this is complete, mark the suspension location and boundaries on the truck frame rails. (See below for details). Contact Link Application Specialists for answers to any additional questions.

8.2 Prior to suspension installation, any interference with existing frame bolts or brackets should be addressed. If any modification to the auxiliary suspension is needed, you should consult Link.

NOTE: Truck frame cross-members should be located at or near the front frame brackets.

NOTE: For purposes of increased weight carrying capacity or better weight distribution, these dimensional distances may be increased but never decreased less than the specified minimum distance between references.

9. SUSPENSION INSTALLATION

9.1 With the suspension location determined, clamp the front and rear frame brackets to the truck frame rails.

NOTICE The mounting surfaces of the auxiliary suspension brackets must be tight against the sides and the bottom of the truck frame rails.

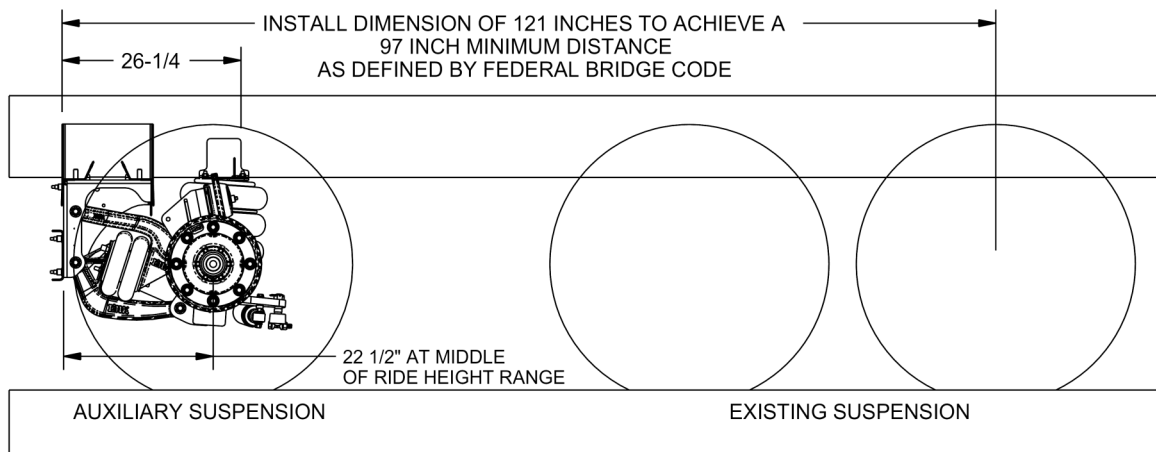
9.2 Double check the suspension location and check for any interference concerns. Also, check that drilling will not interfere with any brake, fuel, or air lines, wiring or other components that might be located on the inside of the frame.

9.3 Once the frame brackets are clamped tightly to the outside and bottom surfaces of the truck frame, check all clearance issues and then center punch all mount holes. (See **Fig. 3** for recommended mount hole location.)

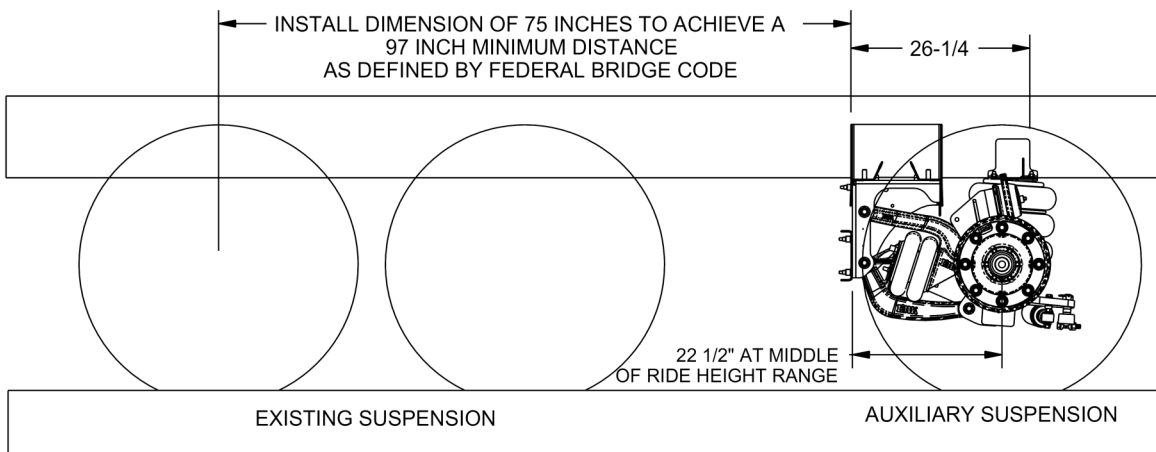
9.4 With mount holes marked, drill 21/32" diameter holes at hole locations.

9.5 Fasten frame brackets to the frame rail with SAE 5/8" UNC GRADE 8 HEX FLANGE BOLTS and 5/8" GRADE G PREVAILING TORQUE HEX

PUSHER CONFIGURATION



TAG CONFIGURATION



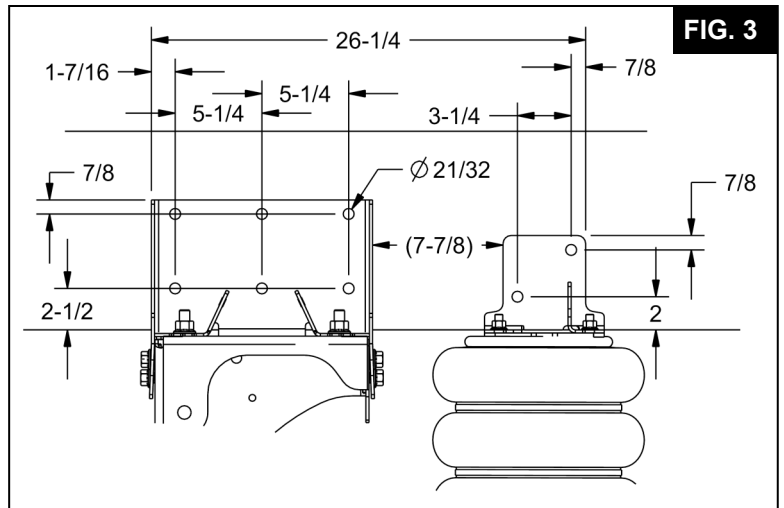
FLANGE NUTS (not supplied, available with optional installation kit 800A0032 or 800A0305).

TORQUE 5/8" fasteners to 170-236 FT-LBS.

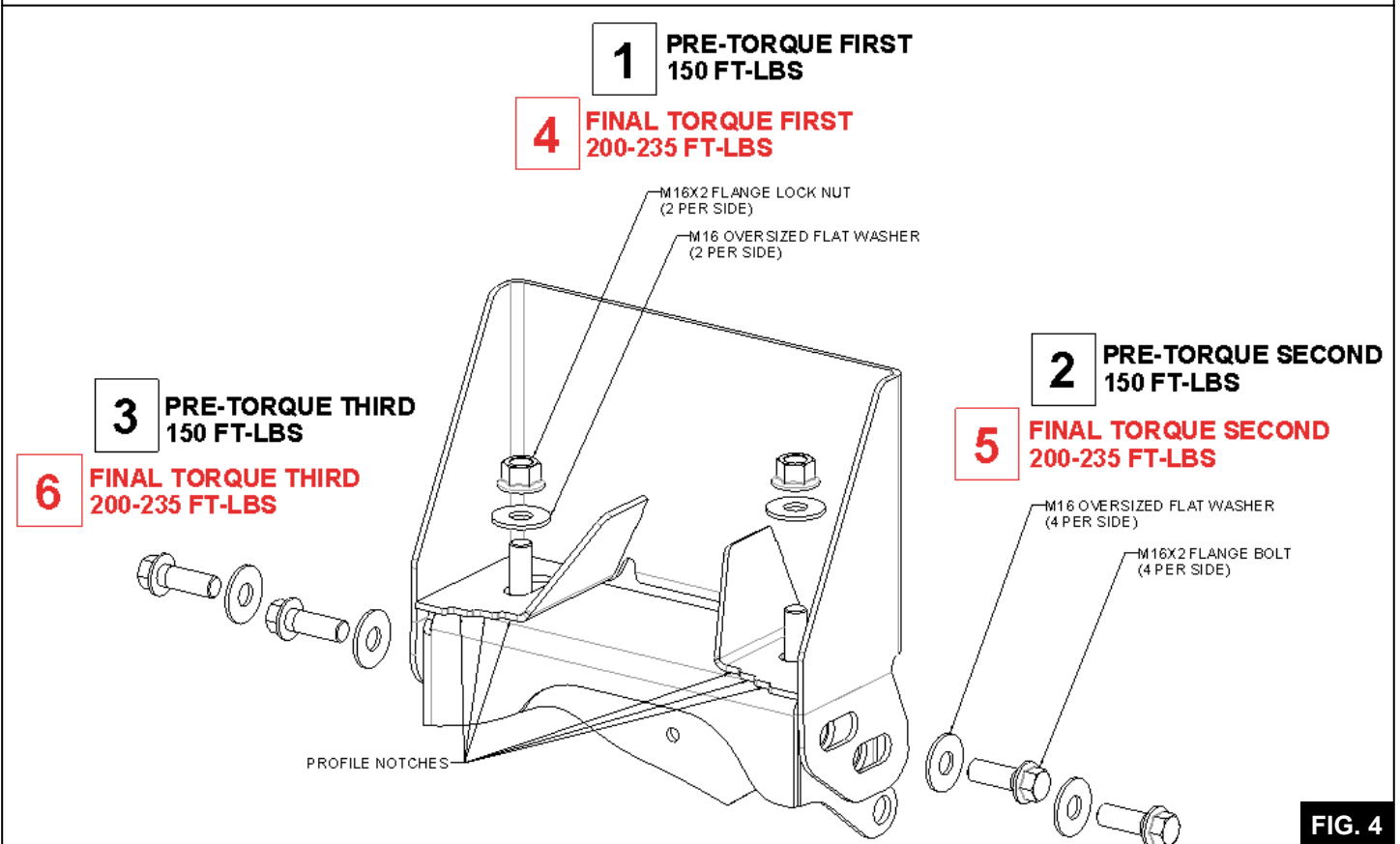
9.6 Assemble the suspension to the front frame brackets using the provided mounting hardware (See Fig. 4 for fastener detail).

NOTE: Center the suspension on the truck using the profile notches on the hanger as a visual indicator (See Fig. 4).

TORQUE M16 fasteners as shown in Fig. 4.



CAUTION FOLLOW THE PROPER SEQUENCE LISTED BELOW FOR PRE-TORQUE AND FINAL TORQUE PROCEDURES TO INSURE PROPER PERFORMANCE AND DURABILITY OF THE SUSPENSION.



9.7 Assemble the load springs to rear frame brackets using the M10x1.50 load spring upper bolts (See Fig. 5 and Fig. 6 for fastener detail).

TORQUE M10 fasteners to 20-30 FT-LBS.

FIG. 5

8A000410 / 8A000414 KITS

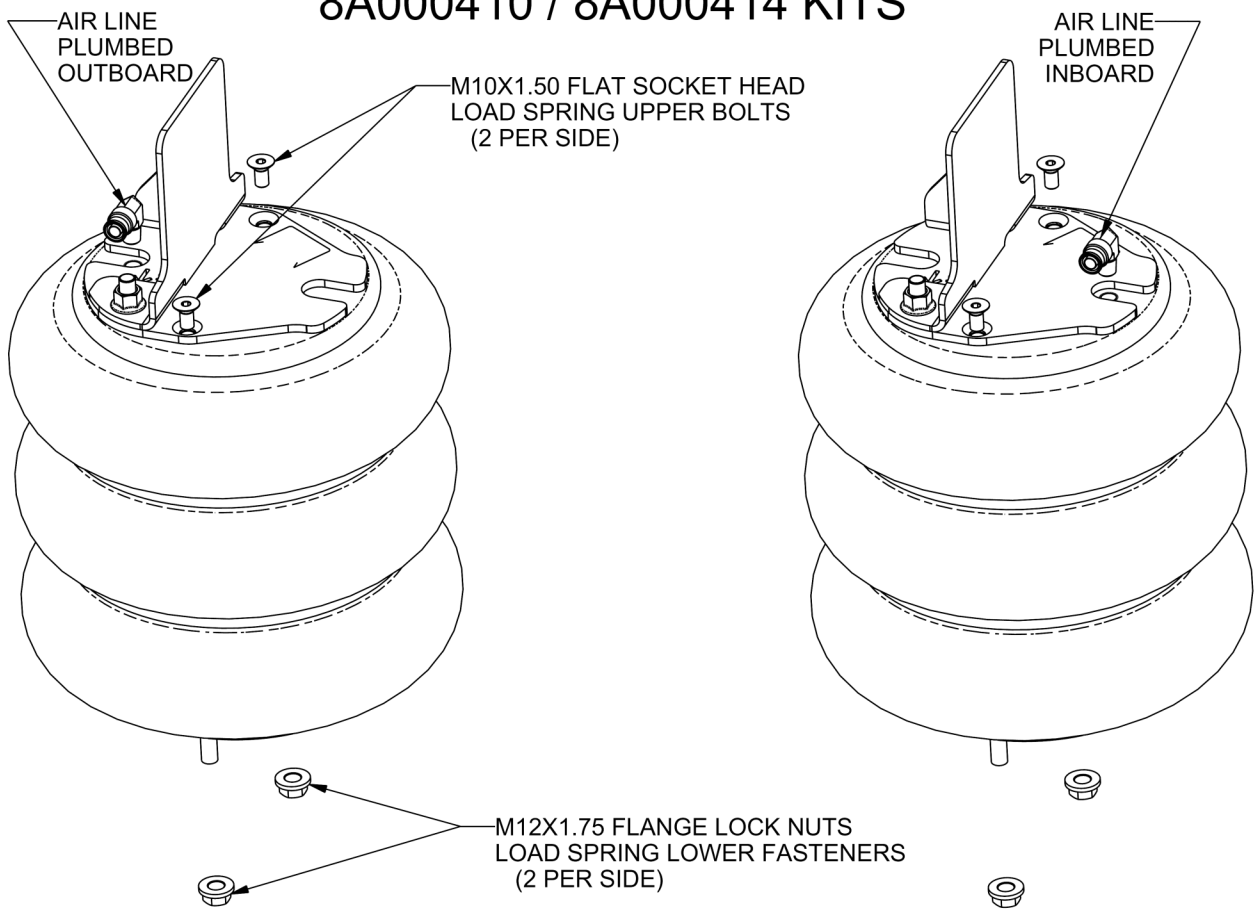
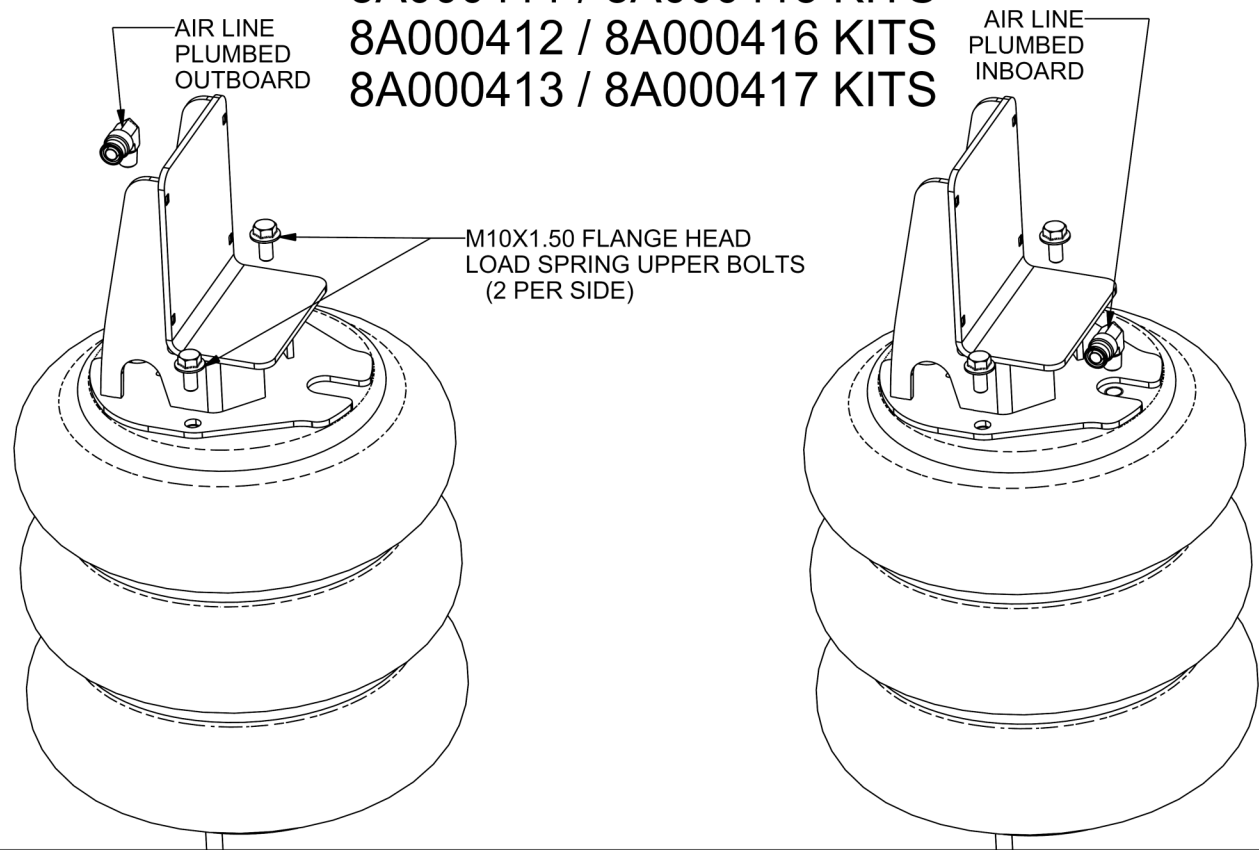


FIG. 6

8A000411 / 8A000415 KITS 8A000412 / 8A000416 KITS 8A000413 / 8A000417 KITS



10. STEERING STOP ADJUSTMENT

10.1 The Steering Stop Screw is preset for maximum steer angle available without bottoming the steering shock absorber. The steering radius can be reduced to avoid tire contact with other parts of the vehicle by loosening the jam nut and turning out the steering stop screw (see Fig. 7).

10.2 After adjustment, tighten 5/8" jam nut.

TORQUE 5/8" jam nut to 45-60 FT-LBS

11. PLUMBING

11.1 Refer to the installation instructions that came with your chosen air control kit.

11.2 Suspensions are shipped from the manufacturer with the load springs oriented for in-board plumbing. To change the orientation to outboard, remove the lower stud fasteners beneath the load springs, rotate the air springs 180 degrees, and re install stud fasteners (See Fig. 5 and Fig. 6 on previous page for fastener detail).

TORQUE M12 fasteners to 20-30 FT-LBS.

NOTE: Contact Link for available air control options.

12. FINAL ASSEMBLY AND INSPECTION CHECKLIST

___ Are all fasteners installed and tightened to proper torque specifications? **NOTE:** All fastener torque specifications are given for dry fasteners with no additional lubrication required.

___ Are all wheel lug nuts tightened to recommended torque specifications?

___ Has the air control installation been completed, checked for leaks, and operating properly?

___ Has the suspension been raised, lowered, and inspected for any interference between the auxiliary suspension and any truck components?

___ Are brakes and slack adjusters properly set, and

the wheels are free to rotate?

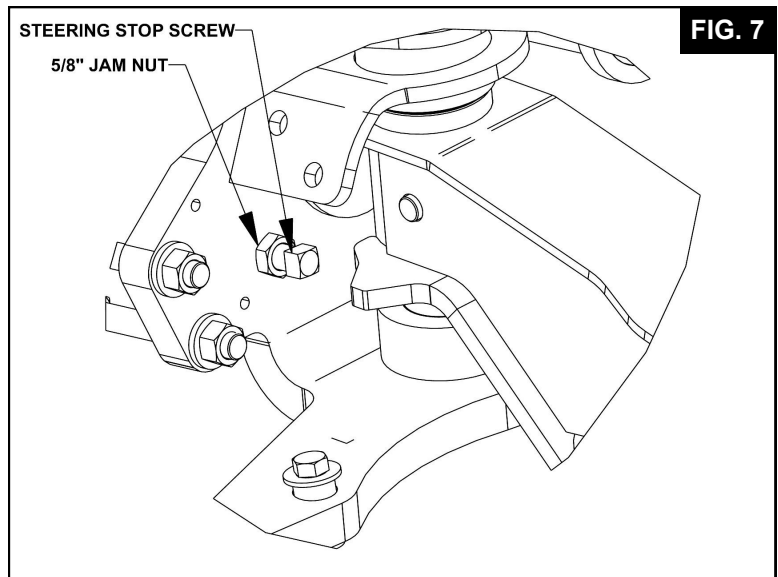
___ Are wheel hubs sufficiently filled with the manufacturer's specified lubricant? (SAE 80W-90 Mineral based)?

___ **Is the TOE-IN set properly (1/8 +/- 1/16 measured at the tire centers)?**

___ Verify the steering knuckles come into contact with the stop bolts before the tires interfere with any other truck components?

NOTICE With the vehicle unloaded, the auxiliary axle's ride springs must be limited to a maximum of 20 psi to avoid improper weight distribution or component damage.

Refer to separate Owner's Manual for details regarding operation and maintenance.





LINK MANUFACTURING, LTD.
223 15TH ST. NE
SIOUX CENTER, IA 51250
1-800-222-6283
www.linkmfg.com

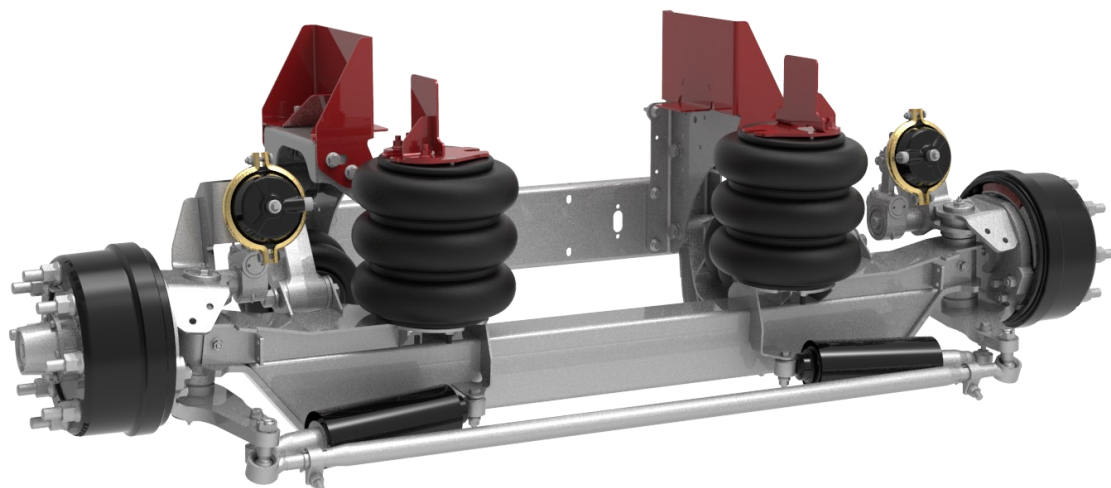
LINK[®] | **Suspensiones
auxiliares**

Link Mfg. Ltd.
223 15th St. N.E.
Sioux Center, IA
EE. UU. 51250-2120
www.linkmfg.com

**¿PREGUNTAS?
LLAME A ATENCIÓN
AL CLIENTE
1-800-222-6283**

INSTRUCCIONES DE INSTALACIÓN

Suspensión auxiliar de 10 K
CAPACIDAD DE 10,000 LB



Consulte el Manual del propietario separado para los detalles relacionados con la operación y el mantenimiento.

80003565
25 DE FEBRERO DE 2022

IMPORTANTE: ES IMPORTANTE LEER LAS INSTRUCCIONES PARA LA INSTALACIÓN EN SU TOTALIDAD Y CUIDADOSAMENTE ANTES DE PROCEDER CON LA INSTALACIÓN DE LA SUSPENSIÓN.






1. INTRODUCCIÓN

Gracias por elegir una suspensión auxiliar de Link de 10 K. Queremos ayudarlo a obtener los mejores resultados de esta suspensión y operarla con seguridad. Este manual contiene información para introducirlo a la suspensión auxiliar de Link de 10 K y ayudarlo con su instalación. Este manual está destinado exclusivamente para usarse con este producto.

Toda la información contenida en este manual se basa en la información más reciente disponible al momento de su impresión. Ling Manufacturing se reserva el derecho de cambiar sus productos o manuales en cualquier momento sin aviso previo.

Los componentes dañados deben devolverse a Link con un número acordado previamente de Autorización de Devolución de Materiales (RMA) a través del Departamento de Atención al Cliente. Entonces el componente dañado podrá reemplazarse en cumplimiento con las condiciones de garantía.

2. SÍMBOLOS DE SEGURIDAD, SÍMBOLO DE TORSIÓN y NOTAS

 PELIGRO	PELIGRO: indica una situación riesgosa que, de no evitarse, provocará una lesión grave o la muerte.
 ADVERTENCIA	Una ADVERTENCIA indica una situación posiblemente riesgosa que, de no evitarse, podría conducir a una lesión leve o a la muerte.
 PRECAUCIÓN	PRECAUCIÓN: indica una situación posiblemente riesgosa que, de no evitarse, podría conducir a una lesión leve o moderada.
 AVISO	AVISO: indica una situación posiblemente riesgosa que, de no evitarse, podría resultar en daños a la propiedad.
 TORSIÓN	TORSIÓN: indica que los sujetadores nombrados se deben apretar a un valor de torsión especificado.
NOTA:	Una Nota proporciona información o sugerencias que le ayudan a realizar una tarea de manera correcta.

3. PRÁCTICAS DE TRABAJO SEGURO:

3.1 **PRECAUCIÓN**

Al manipular las piezas, use guantes, lentes, protección para los oídos y otros elementos de equipo de seguridad adecuados

3.2 **PRECAUCIÓN**

Practique procedimientos de elevación seguros. Considere el tamaño, la forma y el peso de los ensamblajes. Busque ayuda o la asistencia de una grúa cuando levante ensamblajes pesados. Asegúrese de que la trayectoria esté despejada.

4. LINEAMIENTOS PARA LA INSTALACIÓN

4.1 Para que esta suspensión funcione correctamente, debe operar dentro los parámetros especificados por Link.

4.2 El instalador debe verificar que el vehículo esté configurado adecuadamente para los ejes que se agreguen.

4.3 El instalador es responsable de determinar la ubicación de la suspensión a fin de obtener una distribución de carga adecuada.

4.4 Identificación de la suspensión:
Cada ensamble tiene una etiqueta de identificación ubicada en el gancho de la suspensión, en el lado del conductor del vehículo. La etiqueta incluye el número de parte de Link del eje y el número de serie de la suspensión.

4.5 No se permite la alteración de ningún componente de la suspensión Link sin la debida autorización del personal calificado de Link.

4.6 No se permite la soldadura de ningún componente de la suspensión, a menos que lo especifique Link.

4.7 **PRECAUCIÓN**

Se debe consultar al fabricante del vehículo antes de realizar cualquier modificación en el bastidor del vehículo. Cortar o alterar el bastidor en ciertas áreas puede afectar la garantía del fabricante.

4.8 **ADVERTENCIA**

El instalador es responsable de asegurar que el sistema de frenado guarde conformidad con FMVSS 121.

4.9 **PRECAUCIÓN**

El apriete correcto de los sujetadores es importante para el desempeño y la seguridad de la suspensión. Siga todas las especificaciones de torsión a lo largo de las instrucciones.

5. LISTA DE VERIFICACIÓN PREVIA A LA INSTALACIÓN

- Verifique que el espaciado entre los ejes que se pretende utilizar cumpla con las leyes estadounidenses federales y estatales sobre fórmulas puente.
- Verifique que el ancho del bastidor coincida con las especificaciones de la suspensión (33 3/8" a 35").
- Verifique que haya un suministro de aire adecuado para los requisitos de frenado para el eje de elevación que se instale.
- Verifique que haya espacio libre entre el eje de mando y la suspensión auxiliar, con el eje tanto elevado como abajo.
- Verifique que haya espacio libre entre las llantas en todas las direcciones, con el eje tanto elevado como abajo.
- Verifique que haya espacio libre en los muelles en todas las direcciones, con el eje tanto elevado como abajo.
- Verifique que haya espacio libre entre la suspensión y los componentes del camión, con el eje tanto elevado como abajo.

6. ALTURA DE LA CARROCERÍA Y DISPOSICIONES DEL BASTIDOR PARA LA SUSPENSIÓN AUXILIAR DE LINK DE 10 K

6.1 AVISO

Para que la suspensión funcione adecuadamente, la "altura de la carrocería" debe estar dentro del rango especificado por Link Mfg. Consulte los cuadros en las páginas siguientes para seleccionar el kit de bastidor correcto con base en la combinación de las variables presentes en la configuración de su camión.

6.2 Para determinar cuál es el kit de montaje del bastidor use la siguiente fórmula y luego consulte el Cuadro de elevación.

$$\text{Altura del bastidor con carga} - \text{Radio de las llantas con carga} = \text{Altura de la carrocería}$$

6.3 En el cuadro correcto es posible encontrar la cantidad de elevación en la intersección entre el radio de las llantas con carga y la altura del bastidor con carga.

NOTA: Al medir el espacio libre entre el bastidor y el suelo, asegúrese de hacerlo con el vehículo cargado, con la ubicación planeada de la suspensión y a nivel del piso.

7. KITS DE SOPORTE DEL BASTIDOR:

Hay 8 kits de soporte del bastidor disponibles para cubrir una amplia variedad de alturas de la carrocería y requisitos de montaje. Mire en las fotos y los cuadros de las siguientes páginas los detalles del radio de las llantas con carga y la elevación de la suspensión.

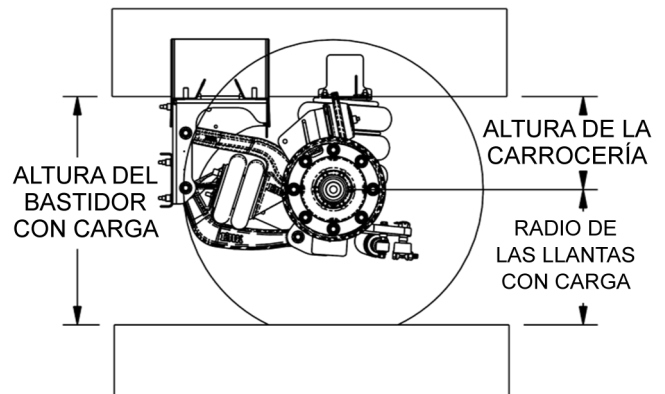
8A000410-13 son los kits de montaje de altura estándar.

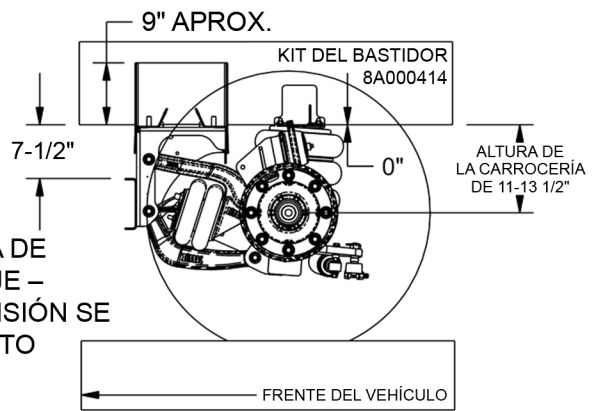
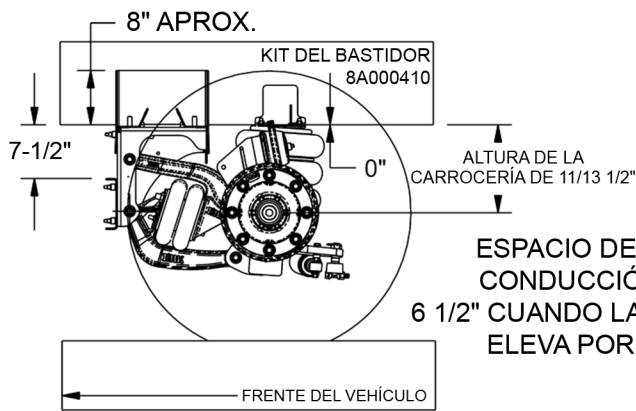
Estos kits están diseñados para usarse principalmente en configuraciones donde pueda ser necesario unir equipo adicional al bastidor del camión por encima de los soportes de montaje. Desde la parte inferior del bastidor del camión hasta la parte superior del soporte, se requieren aproximadamente 8 pulgadas de espacio libre.

8A000414-17 son los kits de montaje de altura alta.

Estos kits están diseñados para configuraciones donde el equipo adicional no esté unido al bastidor del camión por encima de los soportes. Desde la parte inferior del bastidor del camión hasta la parte superior del soporte, se requieren aproximadamente 9 pulgadas de espacio libre.

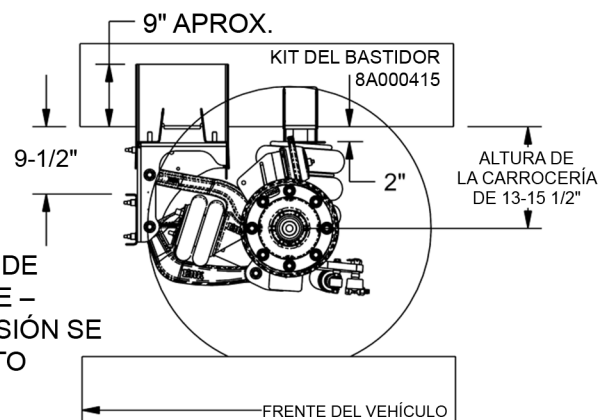
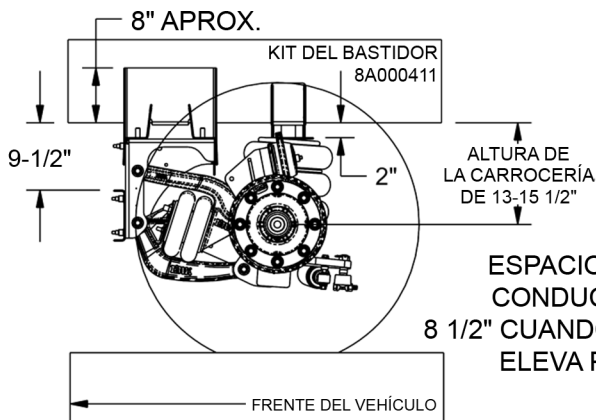
TIPO DE TUBO	SIN TUBOS	ISO (MÉTRICO)	RADIO DE LAS LLANTAS CON CARGA	DIÁMETRO
7.50R15		215/75R17.5	14	30.2
8.25R15	8.5R17.5	225/70R19.5	15	32.9
	9R17.5	245/70R19.5	15.5	33.1
	10R17.5		15.5	33.9
	8R19.5		16	34
10.00R15			16.5	35.8
7.50R20	8R22.5	255/70R22.5	17	36.5
	11R17.5	245/75R22.5	17	36.6
8.25R20	9R22.5	235/80R22.5	17.5	37.8
		255/75R22.5	17.5	37.7





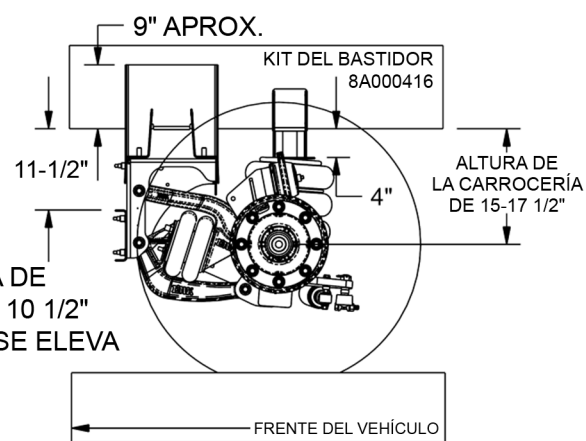
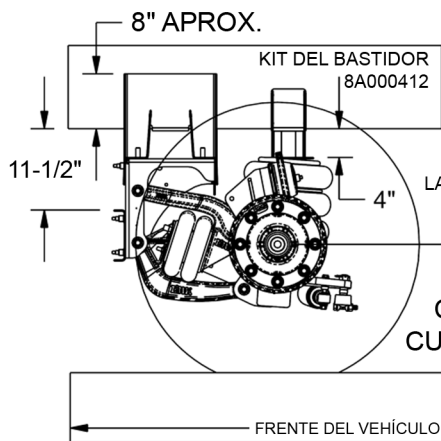
ESPACIO DE LA LÍNEA DE CONDUCCIÓN DEL EJE – 6 1/2" CUANDO LA SUSPENSIÓN SE ELEVA POR COMPLETO

CUADRO PARA LA ELEVACIÓN DE 10K ALTURA DEL BASTIDOR CON CARGA	ALTURA DE LA CARROCERÍA 11-13 1/2" □□ (KIT DE MONTAJE DEL BASTIDOR 8A000410 O 8A000414)											
	25"	25 1/2"	26"	26 1/2"	27"	27 1/2"	28"	28 1/2"	29"	29 1/2"	30"	30 1/2"
RADIO DE LAS LLANTAS												
14" (CON CARGA)	7"	7 1/2"	8"	8 1/2"	9"	9 1/2"						
15" (CON CARGA)			7"	7 1/2"	8"	8 1/2"	9"	9 1/2"				
16" (CON CARGA)					7"	7 1/2"	8"	8 1/2"	9"	9 1/2"		
17" (CON CARGA)							7"	7 1/2"	8"	8 1/2"	9"	9 1/2"



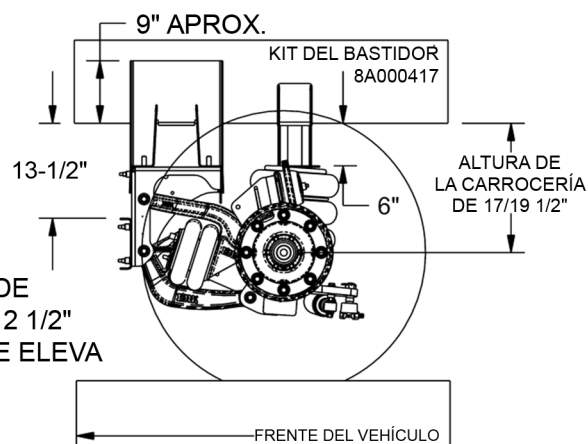
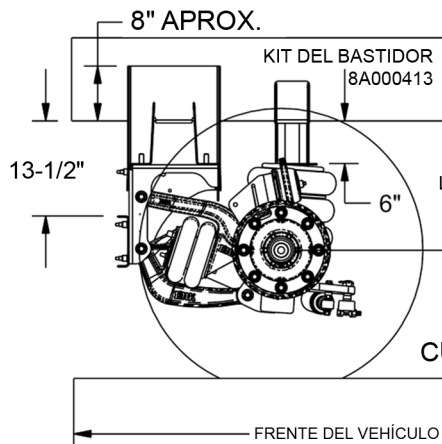
ESPACIO DE LA LÍNEA DE CONDUCCIÓN DEL EJE – 8 1/2" CUANDO LA SUSPENSIÓN SE ELEVA POR COMPLETO

CUADRO PARA LA ELEVACIÓN DE 10K ALTURA DEL BASTIDOR CON CARGA	ALTURA DE LA CARROCERÍA 13-15 1/2" (KIT DE MONTAJE DEL BASTIDOR 8A000411 O 8A000415)											
	27"	27 1/2"	28"	28 1/2"	29"	29 1/2"	30"	30 1/2"	31"	31 1/2"	32"	32 1/2"
RADIO DE LAS LLANTAS												
14" (CON CARGA)	7"	7 1/2"	8"	8 1/2"	9"	9 1/2"						
15" (CON CARGA)			7"	7 1/2"	8"	8 1/2"	9"	9 1/2"				
16" (CON CARGA)					7"	7 1/2"	8"	8 1/2"	9"	9 1/2"		
17" (CON CARGA)							7"	7 1/2"	8"	8 1/2"	9"	9 1/2"



ESPACIO DE LA LÍNEA DE CONDUCCIÓN DEL EJE – 10 1/2" CUANDO LA SUSPENSIÓN SE ELEVA POR COMPLETO

CUADRO PARA LA ELEVACIÓN DE 10K	ALTURA DE LA CARROCERÍA 15-17 1/2" □□ (KIT DE MONTAJE DEL BASTIDOR 8A000412 O 8A000416)											
ALTURA DEL BASTIDOR CON CARGA	29"	29 1/2"	30"	30 1/2"	31"	31 1/2"	32"	32 1/2"	33"	33 1/2"	34"	34 1/2"
RADIO DE LAS LLANTAS												
14 (CON CARGA)	7"	7 1/2"	8"	8 1/2"	9"	9 1/2"						
15 (CON CARGA)			7"	7 1/2"	8"	8 1/2"	9"	9 1/2"				
16 (CON CARGA)					7"	7 1/2"	8"	8 1/2"	9"	9 1/2"		
17 (CON CARGA)							7"	7 1/2"	8"	8 1/2"	9"	9 1/2"



ESPACIO DE LA LÍNEA DE CONDUCCIÓN DEL EJE – 12 1/2" CUANDO LA SUSPENSIÓN SE ELEVA POR COMPLETO

CUADRO PARA LA ELEVACIÓN DE 10K	ALTURA DE LA CARROCERÍA 17-19 1/2" □□ (KIT DE MONTAJE DEL BASTIDOR 8A000413 O 8A000418)											
ALTURA DEL BASTIDOR CON CARGA	31"	31 1/2"	32"	32 1/2"	33"	33 1/2"	34"	34 1/2"	35"	35 1/2"	36"	36 1/2"
RADIO DE LAS LLANTAS												
14 (CON CARGA)	7"	7 1/2"	8"	8 1/2"	9"	9 1/2"						
15 (CON CARGA)			7"	7 1/2"	8"	8 1/2"	9"	9 1/2"				
16 (CON CARGA)					7"	7 1/2"	8"	8 1/2"	9"	9 1/2"		
17 (CON CARGA)							7"	7 1/2"	8"	8 1/2"	9"	9 1/2"

8. UBICACIÓN DE LA SUSPENSIÓN

8.1 Antes de determinar la ubicación de la suspensión, revise cuidadosamente la lista de verificación previa a la instalación en la Sección 5 de este manual.

Asegúrese de que el vehículo esté en una superficie plana y nivelada antes de hacer las mediciones para la ubicación de la suspensión. Una vez que termine, marque la ubicación de la suspensión y los límites en los carriles del bastidor del camión. (Vea los detalles a continuación). Comuníquese con un Especialista de la Aplicación de Link si tiene más preguntas.

8.2 Antes de la instalación de la suspensión, resuelva cualquier interferencia existente con los pernos o los soportes del bastidor. Si se requiere cualquier modificación a la suspensión auxiliar, debe consultar con Link.

NOTA: Los travesaños del bastidor del camión deben ubicarse en o cerca de los soportes frontales del bastidor.

NOTA: Para propósitos de una capacidad de carga de mayor peso o una mejor distribución del peso, estas distancias dimensionales pueden incrementarse, pero nunca disminuirse a menos de la distancia mínima especificada entre las referencias.

9. INSTALACIÓN DE LA SUSPENSIÓN

9.1 Una vez determinada la ubicación de la suspensión, sujete los soportes frontales y traseros del bastidor a los carriles del bastidor del camión.

AVISO Las superficies de montaje de la suspensión auxiliar deben quedar bien apretados a los laterales y la parte inferior de los carriles del bastidor del camión.

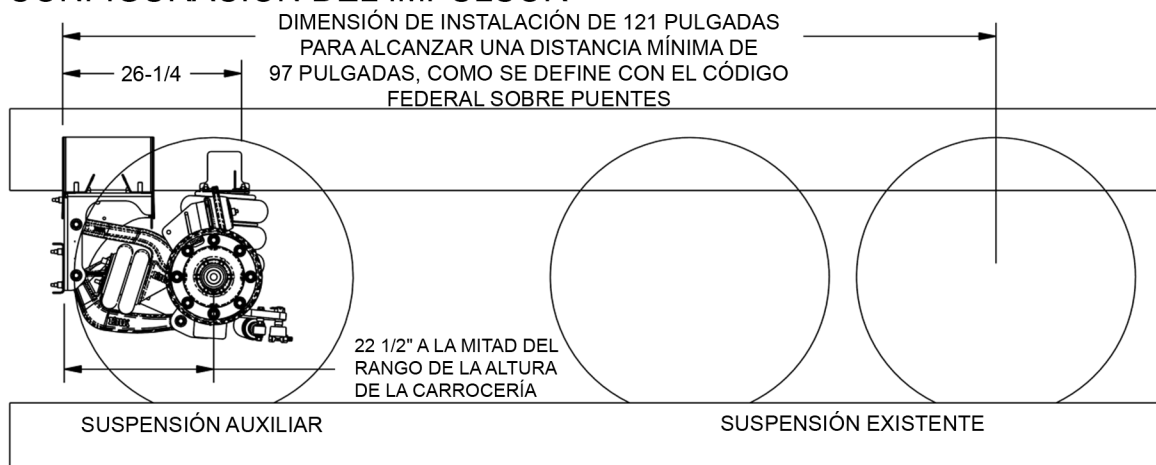
9.2 Confirme la ubicación de la suspensión y revise cualquier problema de interferencia. También asegúrese de que la perforación no vaya a interferir con ninguna línea de frenos, combustible o aire, cables u otros componentes que podría estar colocados en el interior del bastidor.

9.3 Una vez que los soportes del bastidor estén bien ajustados a la superficie externa y la inferior del bastidor del camión, revise todos los problemas de espacio libre y luego granete todos los agujeros para el montaje. (Vea en la **Fig. 3** la ubicación recomendada para los agujeros de montaje).

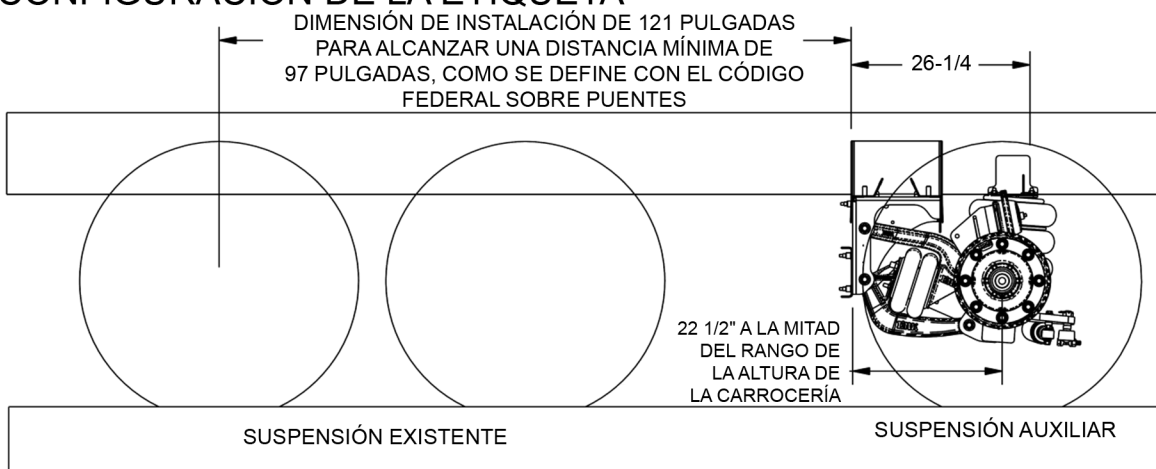
9.4 Con los agujeros marcados, perfórelos con un diámetro de 21/32" en su ubicación.

9.5 Una los soportes del bastidor a los carriles del bastidor con PERNOS DE BRIDA HEXAGONAL GRADO 8 SAE 5/8" DE ROSCA CORRIENTE y TUERCAS DE BRIDA HEXAGONAL DE TORSIÓN GRADO G DE 5/8" (no se incluyen; están disponibles con el kit de instalación opcional 800A0032 o 800A0305).

CONFIGURACIÓN DEL IMPULSOR



CONFIGURACIÓN DE LA ETIQUETA



TORSIÓN Sujetadores de 5/8" a 170-236 FT-LB.

9.6 Ensamble la suspensión a los soportes frontales del bastidor con los herrajes de montaje proporcionados (vea en la Fig. 4 los detalles de sujeción).

NOTA: Centre la suspensión en el camión usando las muescas de perfil en el gancho como un indicador visual (Consulte la Fig. 4).

TORSIÓN Los sujetadores M16 se muestran en la Fig. 4.

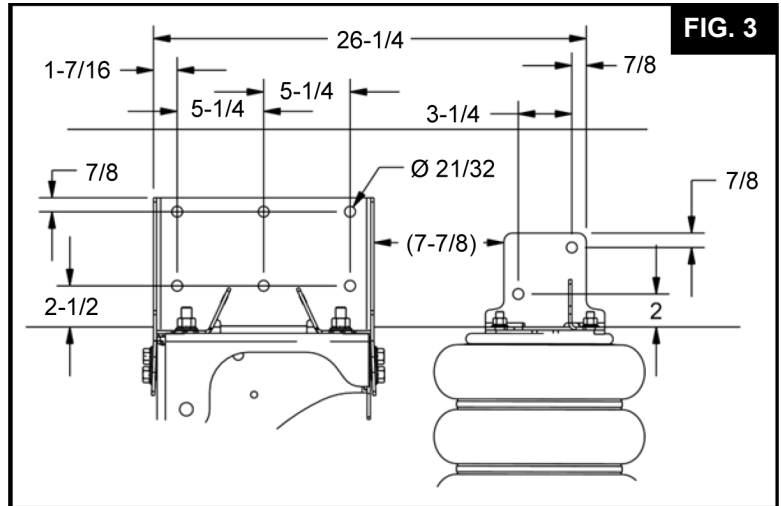


FIG. 3

PRECAUCIÓN SIGA LA SECUENCIA ADECUADA QUE SE INDICA ABAJO PARA VER LOS PROCEDIMIENTOS PREVIOS A LA TORSIÓN Y DE LA TORSIÓN FINAL PARA ASEGURAR UN DESEMPEÑO ADECUADO Y LA DURABILIDAD DE LA SUSPENSIÓN.

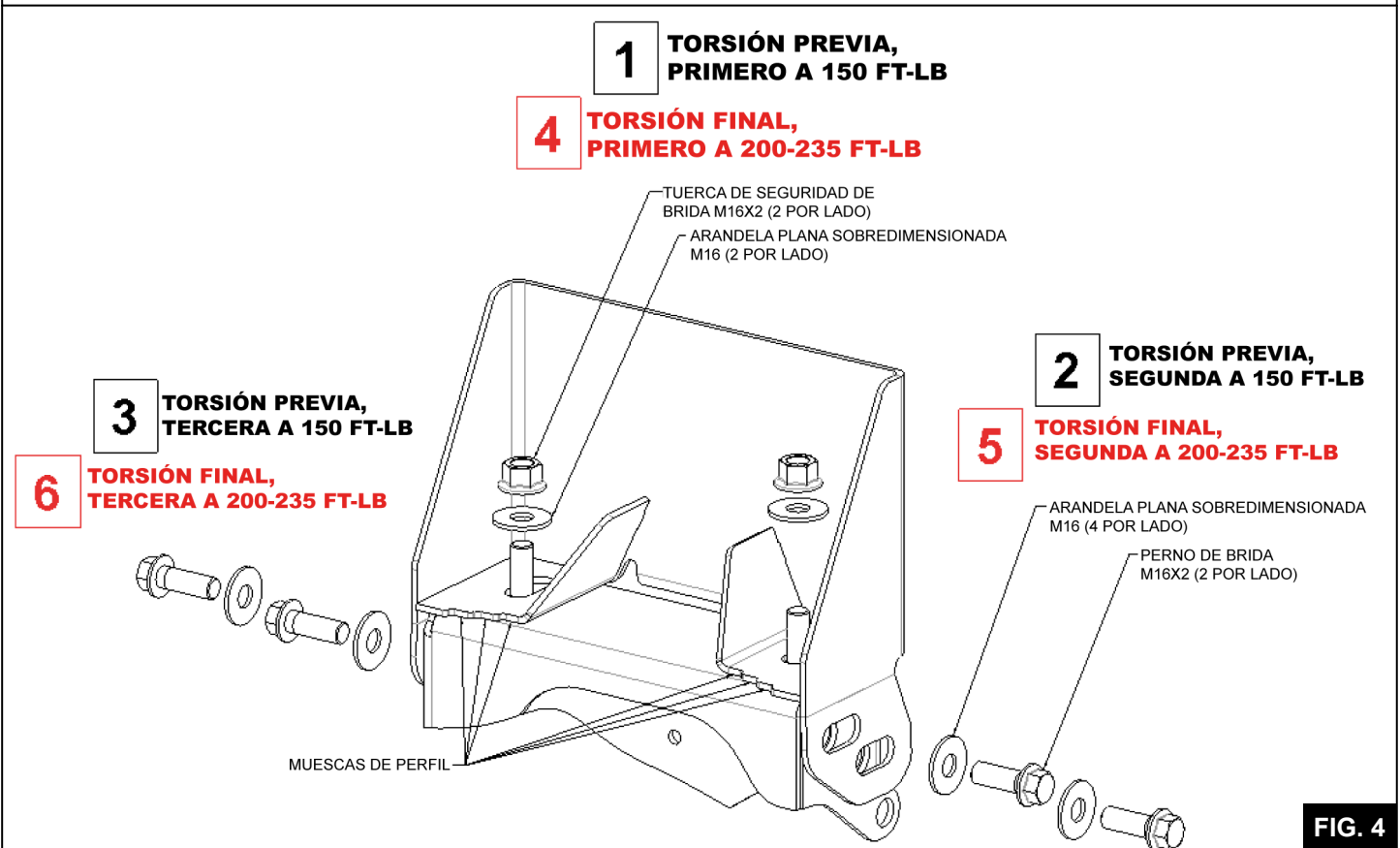


FIG. 4

9.7 Ensamble los muelles de carga a los soportes traseros del bastidor usando los pernos superiores del muelle de carga M10x1.50 (consulte los detalles de sujeción en la Fig. 5 y la Fig. 6).

TORSIÓN Sujetadores M10 a 20-30 FT-LB.

FIG. 5

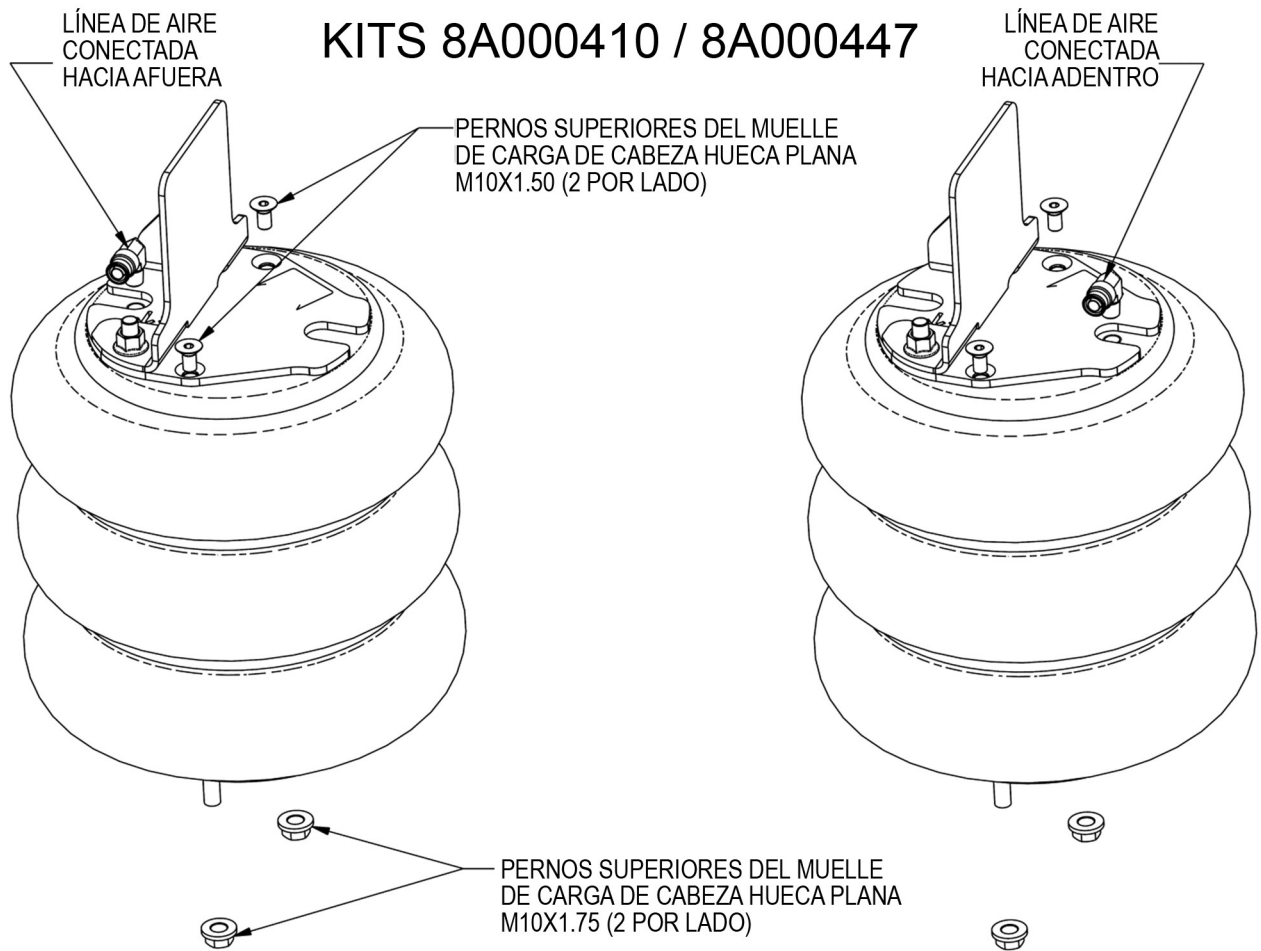
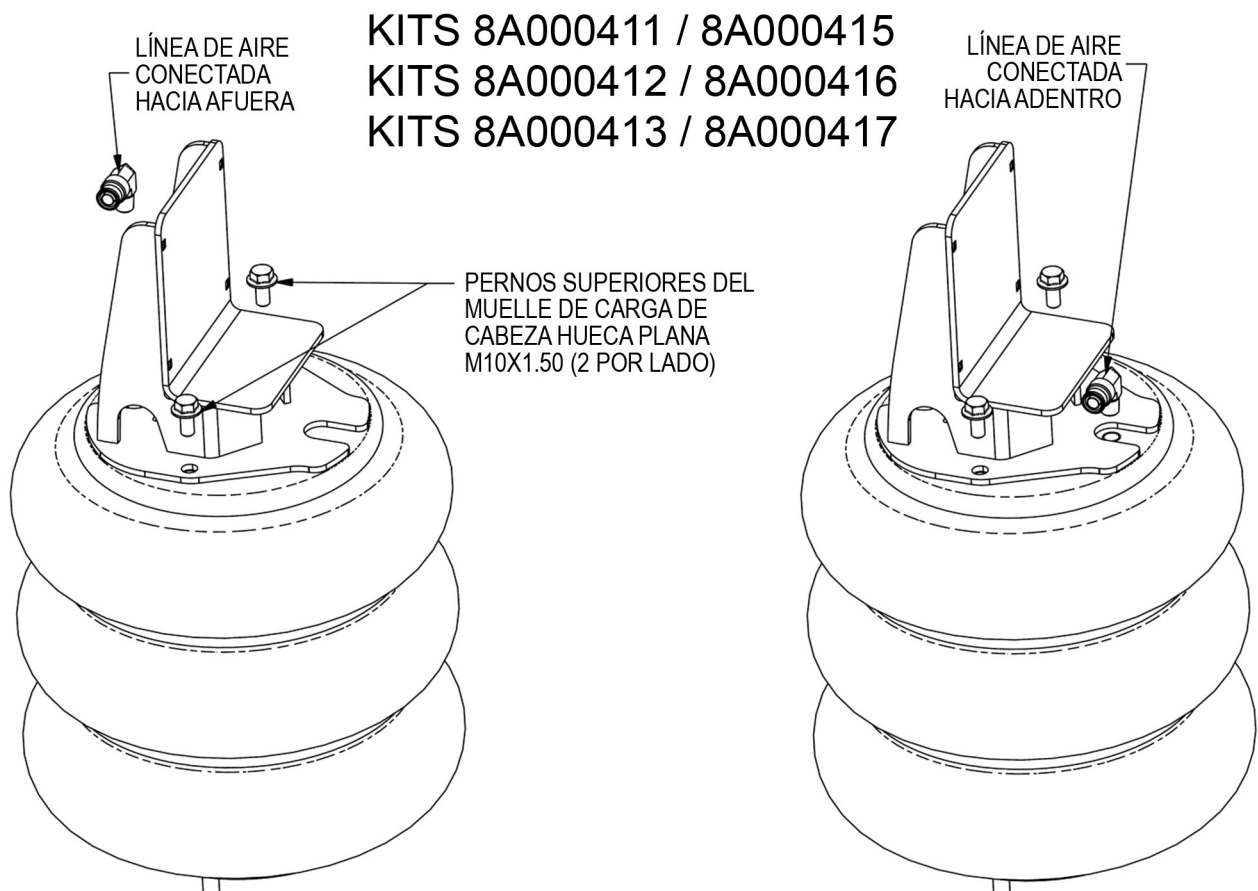


FIG. 6



10. AJUSTE DEL PARO DE DIRECCIÓN

10.1 El tornillo de paro de la dirección está configurado previamente al ángulo de dirección máxima sin llevar a fondo el amortiguador de impacto de la dirección. El radio de dirección puede reducirse para evitar el contacto de la llanta con otras partes del vehículo, aflojando la contratuerca y girando hacia fuera el tornillo del paro de dirección (vea la **Fig. 7**).

10.2 Después del ajuste, apriete la contratuerca de 5/8".

TORSIÓN contratuerca de 5/8" a 45-60 FT-LB

11. TUBERÍAS

11.1 Consulte las instrucciones de instalación incluidas con su kit de control de aire elegido.

11.2 Las suspensiones se envían de fábrica con muelles de carga con las tuberías orientadas hacia el interior. Para cambiar la orientación hacia afuera, retire los pernos prisioneros inferiores debajo de los muelles de carga, gire los muelles neumáticos 180 grados, y reinstale los pernos prisioneros (vea la **Fig. 5** y **Fig. 6** en la página anterior para ver el detalle de los sujetadores).

TORSIÓN Sujetadores M12 a 20-30 FT-LB.

NOTA: Póngase en contacto con Link para conocer opciones de control de aire disponibles.

12. ENSAMBLADO FINAL Y LISTA DE VERIFICACIÓN PARA LA INSPECCIÓN

___ ¿Se instalaron todos los sujetadores y se apretaron de acuerdo con las especificaciones de torsión? **NOTA:** Todas las especificaciones de torsión de las piezas de sujeción se proporcionan para sujetadores sin lubricación adicional requerida.

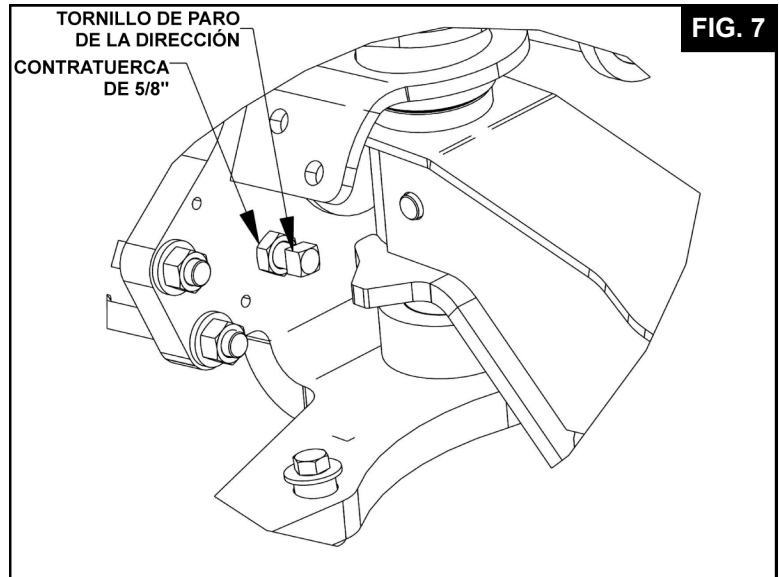
___ ¿Se apretaron las tuercas de las llantas de acuerdo con las especificaciones de torsión recomendadas?

___ ¿Se ha completado la instalación del control de aire, se revisó que no hubiera fugas y opera adecuadamente?

___ ¿Se ha levantado y bajado la suspensión y se ha revisado que no haya interferencia entre la suspensión auxiliar y cualquier componente del camión?

AVISO Con el vehículo descargado, los muelles de marcha del eje auxiliar deben limitarse a un máximo de 20 psi para evitar una distribución del peso incorrecta o daño a los componentes.

Consulte el Manual del propietario separado para ver los detalles relacionados con la operación y el mantenimiento.



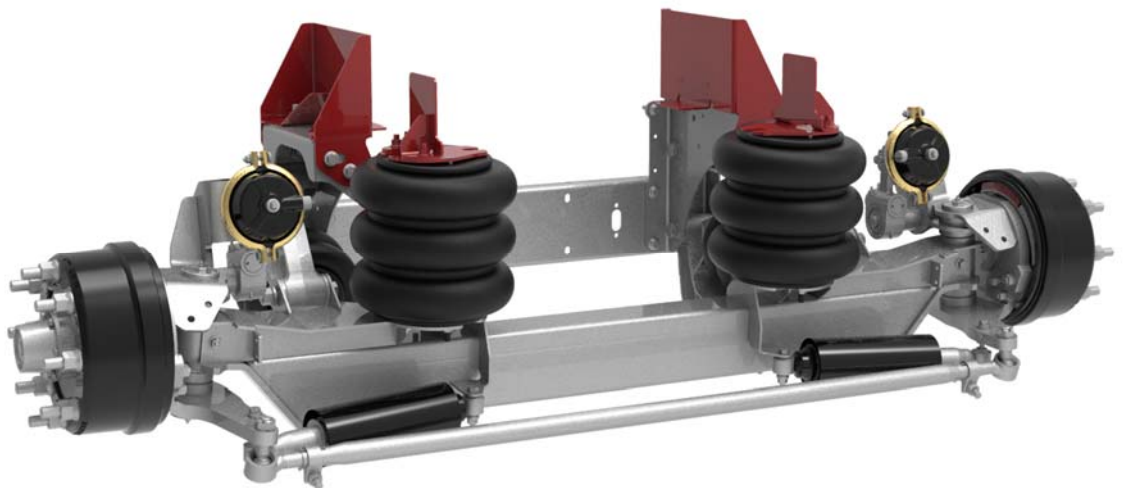


LINK MANUFACTURING, LTD.
223 15TH ST. NE
SIOUX CENTER, IA 51250
1-800-222-6283
www.linkmfg.com

LINK® | **Auxiliaire
Suspensions**

INSTRUCTIONS D'INSTALLATION

Suspension auxiliaire 10K
10 000 LB CAPACITÉ



Lien Mfb. Ltd. 223
15e St. N.E.
Sioux Center, IA USA
51250-2120
www.linkmfg.com

**DES QUESTIONS ?
APPELER LE
SERVICE À LA
CLIENTÈLE
1-800-222-6283**

Consultez le manuel du propriétaire distinct pour plus de
détails concernant l'exploitation et l'entretien.

80003565
25 FÉVRIER 2022

IMPORTANT : IL EST IMPORTANT QUE TOUTES LES INSTRUCTIONS D'INSTALLATION SOIENT LUES ATTENTIVEMENT AVANT DE PROCÉDER À L'INSTALLATION DE LA SUSPENSION.






1. INTRODUCTION

Merci d'avoir choisi une suspension auxiliaire Link 10K. Nous voulons vous aider à obtenir les meilleurs résultats de cette suspension et à la faire fonctionner en toute sécurité. Ce manuel contient des renseignements pour vous présenter la suspension auxiliaire Link 10K et vous aider dans son installation. Ce manuel est destiné uniquement à être utilisé avec ce produit.

Tous les renseignements contenus dans ce manuel sont fondés sur les renseignements les plus récents disponibles au moment de l'impression. Link Manufacturing se réserve le droit de modifier ses produits ou manuels en tout temps sans préavis.

Les composants endommagés doivent être retournés à Link avec un numéro d'autorisation de retour (ARM) préétabli par l'entremise du Service à la clientèle. Le composant endommagé peut ensuite être remplacé s'il est conforme aux conditions de garantie.

2. SYMBOLES DE SÉCURITÉ, SYMBOLE DE COUPLE ET NOTES

	DANGER indique une situation dangereuse qui, si elle n'est pas évitée, entraînera la mort ou des blessures graves.
	AVERTISSEMENT indique une situation potentiellement dangereuse qui, si elle n'est pas évitée, pourrait entraîner la mort ou des blessures graves.
	ATTENTION indique une situation potentiellement dangereuse qui, si elle n'est pas évitée, pourrait entraîner des blessures mineures ou modérées.
	AVIS indique une situation potentiellement dangereuse qui, si elle n'est pas évitée, peut entraîner des dommages matériels.
	COUPLE indique que les attaches nommées doivent être serrées à une valeur de couple spécifiée.
NOTE:	Une note fournit des informations ou des suggestions qui vous aident à exécuter correctement une tâche.

3. PRATIQUES DE TRAVAIL SÉCURITAIRES :

3.1 ATTENTION

Lorsque vous manipulez des pièces, portez des gants, des lunettes, des protections auditives et d'autres équipements de sécurité appropriés.

3.2 ATTENTION

Pratiquez des procédures de levage sécuritaires. Tenez compte de la taille, de la forme et du poids des assemblages. Obtenir de l'aide ou de l'aide d'une grue pour soulever des assemblages lourds. Assurez-vous que le chemin de déplacement est clair.

4. DIRECTIVES D'INSTALLATION

4.1 Pour que cette suspension fonctionne correctement, elle doit fonctionner selon les paramètres spécifiés par Link.

4.2 L'installateur doit vérifier que le véhicule est configuré correctement pour l'essieu ou les essieux de levage ajoutés.

4.3 Il incombe à l'installateur de déterminer l'emplacement de la suspension afin d'obtenir une bonne répartition de la charge.

4.4 Identification de la suspension : Chaque ensemble comporte une étiquette d'identification située sur le cintre de la suspension du côté conducteur du véhicule. L'étiquette comprend le numéro de pièce Link pour l'essieu et le numéro de série de la suspension.

4.5 Aucune modification d'un composant de suspension Link n'est permise sans l'autorisation appropriée du personnel qualifié de Link.

4.6 Aucun soudage des composants de suspension n'est permis, sauf lorsque cela est spécifié par Link.

4.7 ATTENTION

Le constructeur du véhicule devrait être consulté avant d'apporter des modifications au châssis du véhicule. La coupe ou la modification du cadre dans certains cas peuvent avoir une incidence sur la garantie du fabricant.

4.8 AVERTISSEMENT

Il incombe à l'installateur de veiller à ce que le système de freinage respecte la norme FMVSS 121.

4.9 ATTENTION

Le bon serrage des attaches est important pour la performance et la sécurité de la suspension. Suivez toutes les spécifications de couple tout au long des instructions.

5. LISTE DE VÉRIFICATION PRÉALABLE À L'INSTALLATION

- Vérifier que l'espacement prévu des essieux à utiliser est conforme aux lois fédérales et locales sur les ponts.
- Vérifiez que la largeur du cadre correspond aux spécifications de suspension (33 3/8 po à 35 po).
- Vérifier s'il existe une alimentation en air suffisante pour répondre aux exigences relatives au freinage pour l'essieu de levage installé.
- Vérifier le dégagement entre l'arbre d'entraînement et la suspension auxiliaire, l'essieu étant soulevé et abaissé.
- Vérifier le dégagement des pneus dans toutes les directions, l'essieu étant soulevé et abaissé.
- Vérifier le dégagement du ressort pneumatique dans toutes les directions, l'essieu étant soulevé et abaissé.
- Vérifier le dégagement de suspension avec les composants du camion, l'essieu étant soulevé et abaissé.

6. HAUTEUR DE CAISSE ET LOGEMENT DU CADRE POUR LA SUSPENSION AUXILIAIRE DE LIAISON 10K

6.1 **AVIS**

Pour que la suspension fonctionne correctement, la « hauteur de conduite » de la suspension doit être comprise dans la plage spécifiée par Link Mfb. Reportez-vous aux graphiques des pages suivantes pour sélectionner la trousse de cadre appropriée en fonction de la combinaison des variables présentes dans la configuration de votre camion.

6.2 Pour déterminer la trousse de montage de cadre appropriée, utilisez la formule ci-dessous, puis reportez-vous au tableau de levage.

$$\text{Hauteur du cadre chargé} - \text{Rayon du pneu chargé} = \text{Hauteur de roulement}$$

6.3 Avec le tableau approprié, vous pouvez trouver la quantité de portance en croisant le rayon du pneu chargé avec la hauteur du cadre chargé.

NOTE: Lorsque vous mesurez le cadre jusqu'à la garde au sol, assurez-vous de mesurer avec le véhicule chargé, à l'emplacement prévu de suspension et au sol plat.

7. TROUSSES DE SUPPORT DE CADRE :

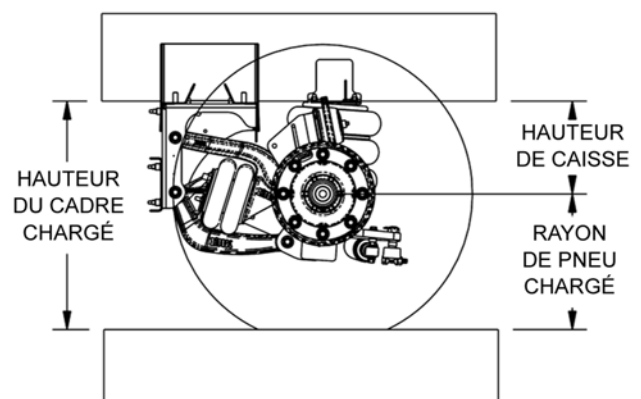
Il y a 8 ensembles de supports de cadre disponibles pour un large éventail de hauteurs de roulement et d'exigences de montage. Voir les photos et les graphiques des pages suivantes pour plus de détails sur le rayon des pneus chargés et l'élévateur de suspension.

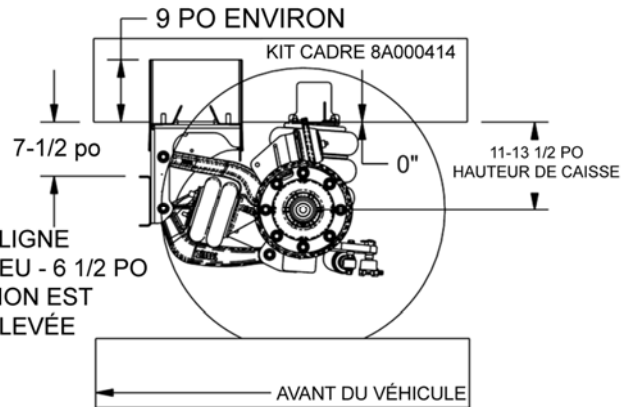
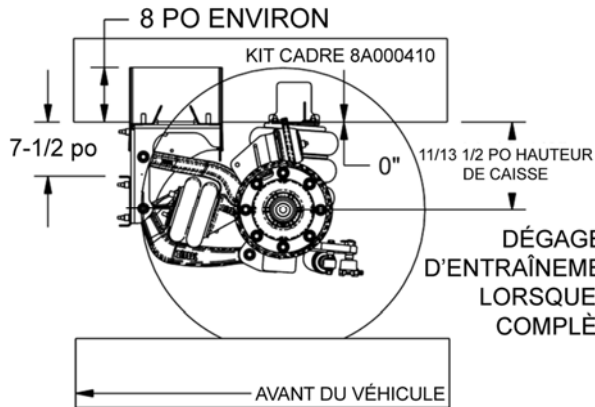
Les 8A000410-13 sont des trousse de montage en hauteur standard.

Ces trousse sont conçues principalement pour être utilisées dans des configurations où l'équipement supplémentaire peut devoir être boulonné au châssis du camion au-dessus des supports de montage. Du bas du châssis du camion jusqu'au haut du support, il faut environ 8 pouces d'espace libre.

Les 8A000414-17 sont des trousse de montage de grande hauteur. Ces trousse sont conçues pour des configurations où l'équipement supplémentaire n'est pas boulonné au châssis du camion au-dessus des supports. Du bas du châssis du camion jusqu'au haut du support, il faut environ 9 pouces d'espace libre.

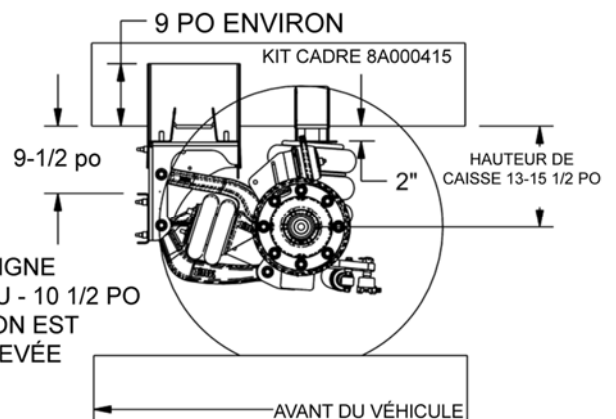
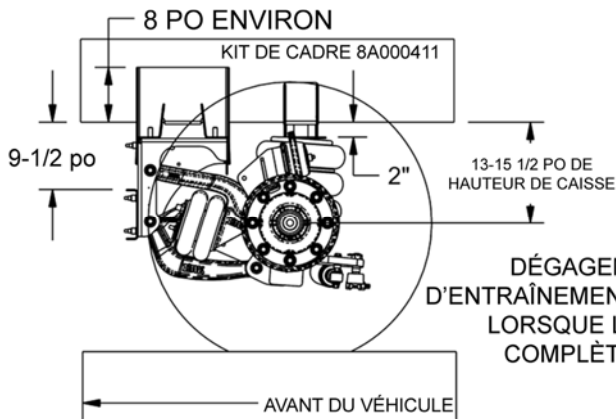
TYPE DE TUBE	SANS TUBE	ISO (METRIC)	RAYON DE PNEU CHARGÉ	DIAMÈTRE
7,50R15		215/75R17.5	14	30,2
8,25R15	8,5R17.5	225/70R19.5	15	32,9
	9R17.5	245/70R19.5	15,5	33,1
	10R17,5		15,5	33,9
	8R19.5		16	34
10.00R15			16,5	35,8
7,50R20	8R22,5	255/70R22.5	17	36,5
	11R17,5	245/75R22,5	17	36,6
8,25R20	9R22.5	235/80R22,5	17,5	37,8
		255/75R22,5	17,5	37,7





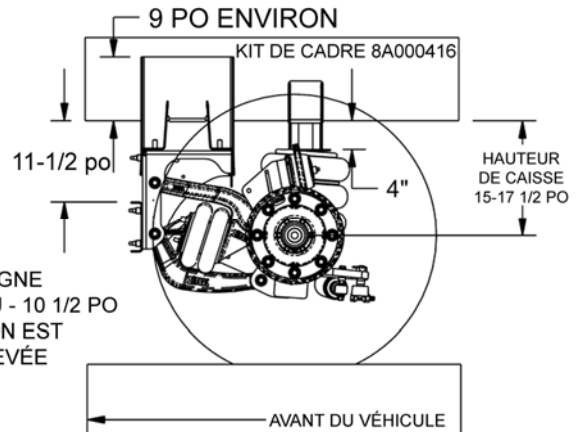
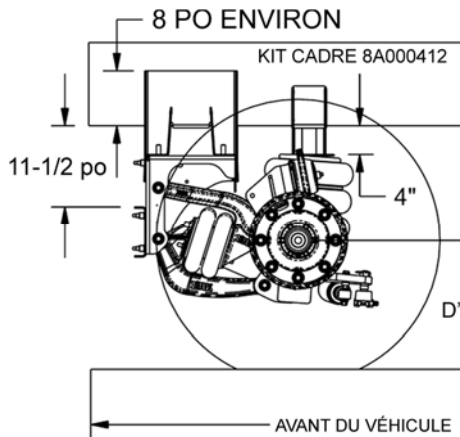
DÉGAGEMENT DE LA LIGNE
D'ENTRAÎNEMENT DE L'ESSIEU - 6 1/2 PO
LORSQUE LA SUSPENSION EST
COMPLÈTEMENT SOULEVÉE

TABLEAU DE LEVAGE 10 K	HAUTEUR DE CONDUITE 11-13 1/2 PO □□ (KIT DE MONTAGE SUR CADRE 8A000410 OU 8A000414)											
HAUTEUR DU CADRE CHARGÉ	25 po	25 1/2 po	26 po	26 1/2 po	27 po	27 1/2 po	28 po	28 1/2 po	29 po	29 1/2 po	30 po	30 1/2 po
RAYON DES PNEUS												
14 PO (CHARGÉ)	7 po	7 1/2 po	8 po	8 1/2 po	9 po	9 1/2 po						
15 PO (CHARGÉ)			7 po	7 1/2 po	8 po	8 1/2 po	9 po	9 1/2 po				
16 PO (CHARGÉ)					7 po	7 1/2 po	8 po	8 1/2 po	9 po	9 1/2 po		
17 PO (CHARGÉ)							7 po	7 1/2 po	8 po	8 1/2 po	9 po	9 1/2 po



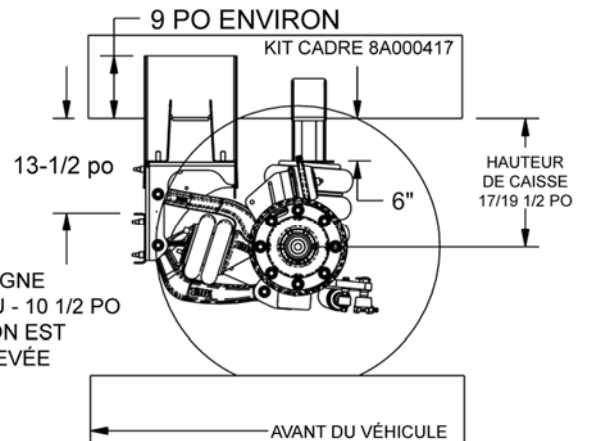
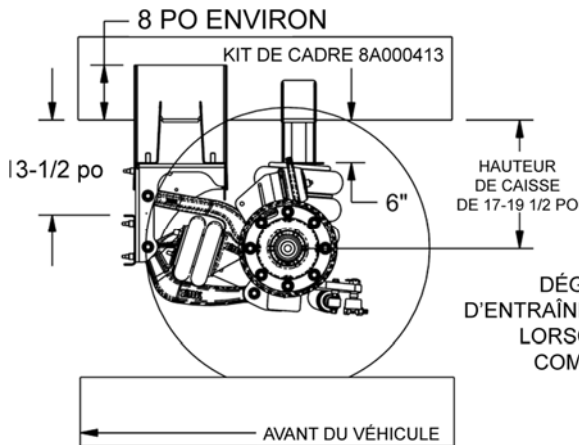
DÉGAGEMENT DE LA LIGNE
D'ENTRAÎNEMENT DE L'ESSIEU - 10 1/2 PO
LORSQUE LA SUSPENSION EST
COMPLÈTEMENT SOULEVÉE

TABLEAU DE LEVAGE 10 K	HAUTEUR DE CONDUITE 13-15 1/2 po (KIT DE MONTAGE SUR CADRE 8A000411 OU 8A000415)											
HAUTEUR DU CADRE CHARGÉ	27 po	27 1/2 po	28 po	28 1/2 po	29 po	29 1/2 po	30 po	30 1/2 po	31 po	31 1/2 po	32 po	32 1/2 po
RAYON DES PNEUS												
14 PO (CHARGÉ)	7 po	7 1/2 po	8 po	8 1/2 po	9 po	9 1/2 po						
15 PO (CHARGÉ)			7 po	7 1/2 po	8 po	8 1/2 po	9 po	9 1/2 po				
16 PO (CHARGÉ)					7 po	7 1/2 po	8 po	8 1/2 po	9 po	9 1/2 po		
17 PO (CHARGÉ)							7 po	7 1/2 po	8 po	8 1/2 po	9 po	9 1/2 po



DÉGAGEMENT DE LA LIGNE
D'ENTRAÎNEMENT DE L'ESSIEU - 10 1/2 PO
LORSQUE LA SUSPENSION EST
COMPLÈTEMENT SOULEVÉE

TABLEAU DE LEVAGE 10 K	HAUTEUR DE ROULEMENT 15-17 1/2 PO □□ (KIT DE MONTAGE SUR CADRE 8A000412 OU 8A000416)											
	29 po	29 1/2 po	30 po	30 1/2 po	31 po	31 1/2 po	32 po	32 1/2 po	33 po	33 1/2 po	34 po	34 1/2 po
RAYON DES PNEUS												
14 (CHARGÉ)	7 po	7 1/2 po	8 po	8 1/2 po	9 po	9 1/2 po						
15 (CHARGÉ)			7 po	7 1/2 po	8 po	8 1/2 po	9 po	9 1/2 po				
16 (CHARGÉ)					7 po	7 1/2 po	8 po	8 1/2 po	9 po	9 1/2 po		
17 (CHARGÉ)							7 po	7 1/2 po	8 po	8 1/2 po	9 po	9 1/2 po



DÉGAGEMENT DE LA LIGNE
D'ENTRAÎNEMENT DE L'ESSIEU - 10 1/2 PO
LORSQUE LA SUSPENSION EST
COMPLÈTEMENT SOULEVÉE

TABLEAU DE LEVAGE 10 K	HAUTEUR DE ROULEMENT 17-19 1/2 PO □□ (KIT DE MONTAGE SUR CADRE 8A000413 OU 8A000418)											
	31 po	31 1/2 po	32 po	32 1/2 po	33 po	33 1/2 po	34 po	34 1/2 po	35 po	35 1/2 po	36 po	36 1/2 po
RAYON DES PNEUS												
14 (CHARGÉ)	7 po	7 1/2 po	8 po	8 1/2 po	9 po	9 1/2 po						
15 (CHARGÉ)			7 po	7 1/2 po	8 po	8 1/2 po	9 po	9 1/2 po				
16 (CHARGÉ)					7 po	7 1/2 po	8 po	8 1/2 po	9 po	9 1/2 po		
17 (CHARGÉ)							7 po	7 1/2 po	8 po	8 1/2 po	9 po	9 1/2 po

8. LIEU DE SUSPENSION

8.1 Avant de déterminer l'emplacement de la suspension, examiner en profondeur la liste de vérification préalable à l'installation qui se trouve à la section 5 du présent manuel. Assurez-vous que le véhicule est situé sur une surface plane et plane avant de mesurer l'emplacement de la suspension. Lorsque cela est terminé, marquez l'emplacement de la suspension et les limites des rails du châssis du camion. (Voir ci-dessous pour plus de détails). Communiquez avec les spécialistes de l'application Link pour obtenir des réponses à toute question supplémentaire.

8.2 Avant l'installation de la suspension, toute interférence avec les boulons ou les supports de cadre existants devrait être corrigée. Si une modification de la suspension auxiliaire est nécessaire, veuillez consulter Link.

NOTE: Les traverses de cadre de camion doivent être situées à l'intérieur ou à proximité des supports du cadre avant.

NOTE: Aux fins d'une capacité de charge accrue ou d'une meilleure répartition du poids, ces distances dimensionnelles peuvent être augmentées, mais jamais diminuées et inférieures à la distance minimale spécifiée entre les références.

9. INSTALLATION DE SUSPENSION

9.1 Lorsque l'emplacement de la suspension est déterminé, serrez les supports de châssis avant et arrière sur les rails du châssis du camion.

AVIS

Les surfaces de montage des supports de suspension auxiliaires doivent être étanches contre les côtés et le fond des rails de châssis du camion.

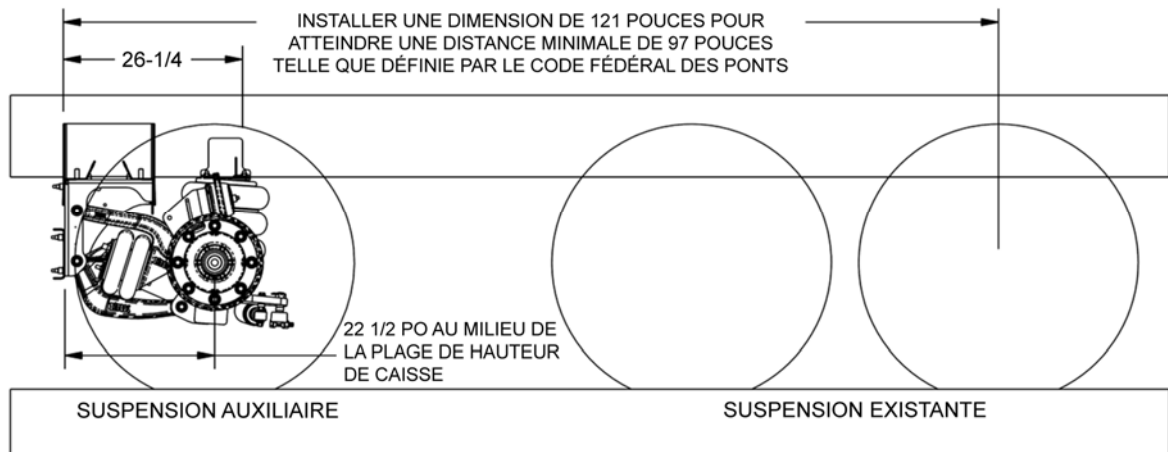
9.2 Vérifiez à nouveau l'emplacement de la suspension et vérifiez s'il y a des problèmes d'interférence. Vérifiez également que le forage n'interfère pas avec les conduites de frein, de carburant ou d'air, de câblage ou d'autres composants qui pourraient être situés à l'intérieur du cadre.

9.3 Une fois que les supports de cadre sont serrés étroitement aux surfaces extérieures et inférieures du châssis du camion, vérifiez tous les problèmes de dégagement, puis poinçonnez tous les trous de montage. (Voir Figure 3 pour l'emplacement recommandé du trou de montage.)

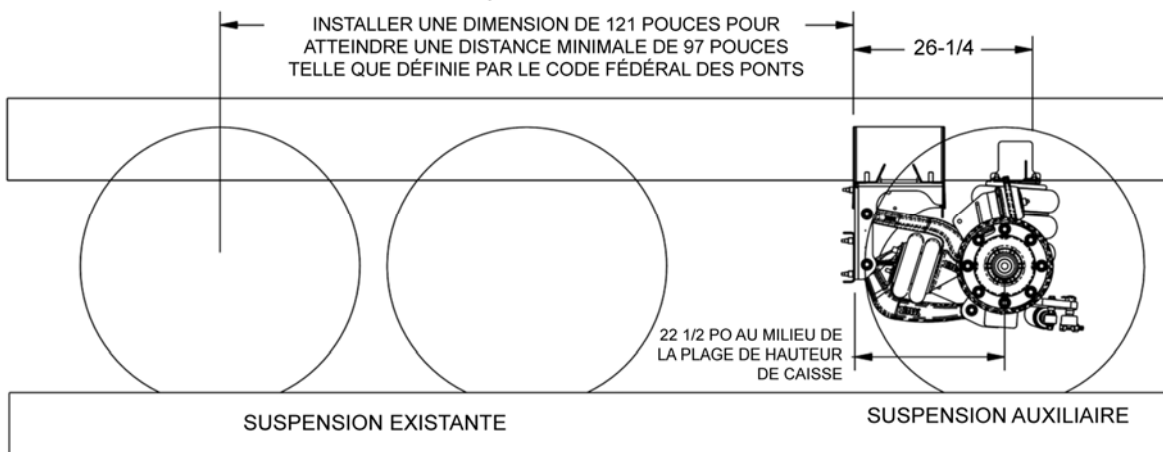
9.4 Avec des trous de montage marqués, percer des trous de 21/32 po de diamètre aux emplacements des trous.

9.5 Fixez les supports de cadre au rail de cadre avec des boulons à bride hexagonale SAE 5/8 PO UNC GRADE 8 et des ÉCROUS À BRIDE HEXAGONALE DE 5/8 PO GRADE G (non fournis, disponibles avec le kit d'installation 800A0032 ou 800A0305 en option).

CONFIGURATION DU POUSSOIR



CONFIGURATION DES ÉTIQUETTES

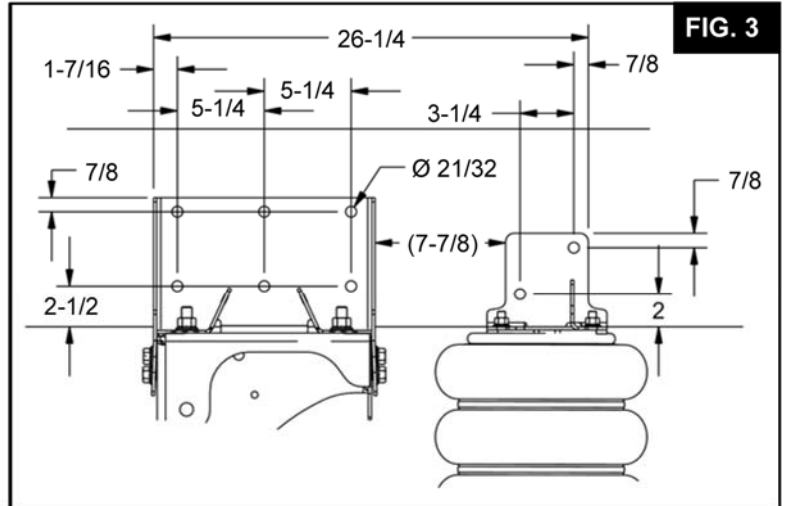


COUPLE Attaches de 5/8 po à 170-236 PI-LB.

9.6 Assembler la suspension sur les supports du cadre avant à l'aide du matériel de montage fourni (voir **figure 4** pour plus de détails sur la fixation).

NOTE: Centrez la suspension sur le camion en utilisant les encoches de profil du cintre comme indicateur visuel (voir **figure 4**).

COUPLE M16 fasteners as shown in Fig. 4.



ATTENTION

SUIVRE LA SÉQUENCE INDIQUÉE CI-DESSOUS POUR LES PROCÉDURES DE PRÉCOUPLE ET DE COUPLE FINAL AFIN D'ASSURER LA BONNE PERFORMANCE ET LA DURABILITÉ DE LA SUSPENSION.

1 PRE-TORQUE
FIRST 150 PI-LB

4 COUPLE FINAL
PREMIER 200-235 PI-LB

3 PRÉCOUPLE
TROISIÈME 150 PI-LB

6 COUPLE FINAL
TROISIÈME 200-235 PI-LB

2 PRÉCOUPLE
DEUXIÈME 150 PI-LB

5 COUPLE FINAL
DEUXIÈME 200-235 PI-LB

ÉCROU DE BLOCAGE À BRIDE M16X2 (2 PAR CÔTÉ)
RONDELLE PLATE SURDIMENSIONNÉE M16 (2 PAR CÔTÉ)

RONDELLE PLATE SURDIMENSIONNÉE M16 (4 PAR CÔTÉ)

BOULON À BRIDE M16X2 (2 PAR CÔTÉ)

ENCOCHES DE PROFIL

FIG. 4

9.7 Assembler les ressorts de charge sur les supports de châssis arrière à l'aide des boulons supérieurs du ressort de charge M10x1.50 (voir figure 5 et figure 6 pour les détails de l'attache).

COUPLE Attaches M10 à 20-30 PI-LB.

FIG. 5

8A000410 / 8A000414 KITS

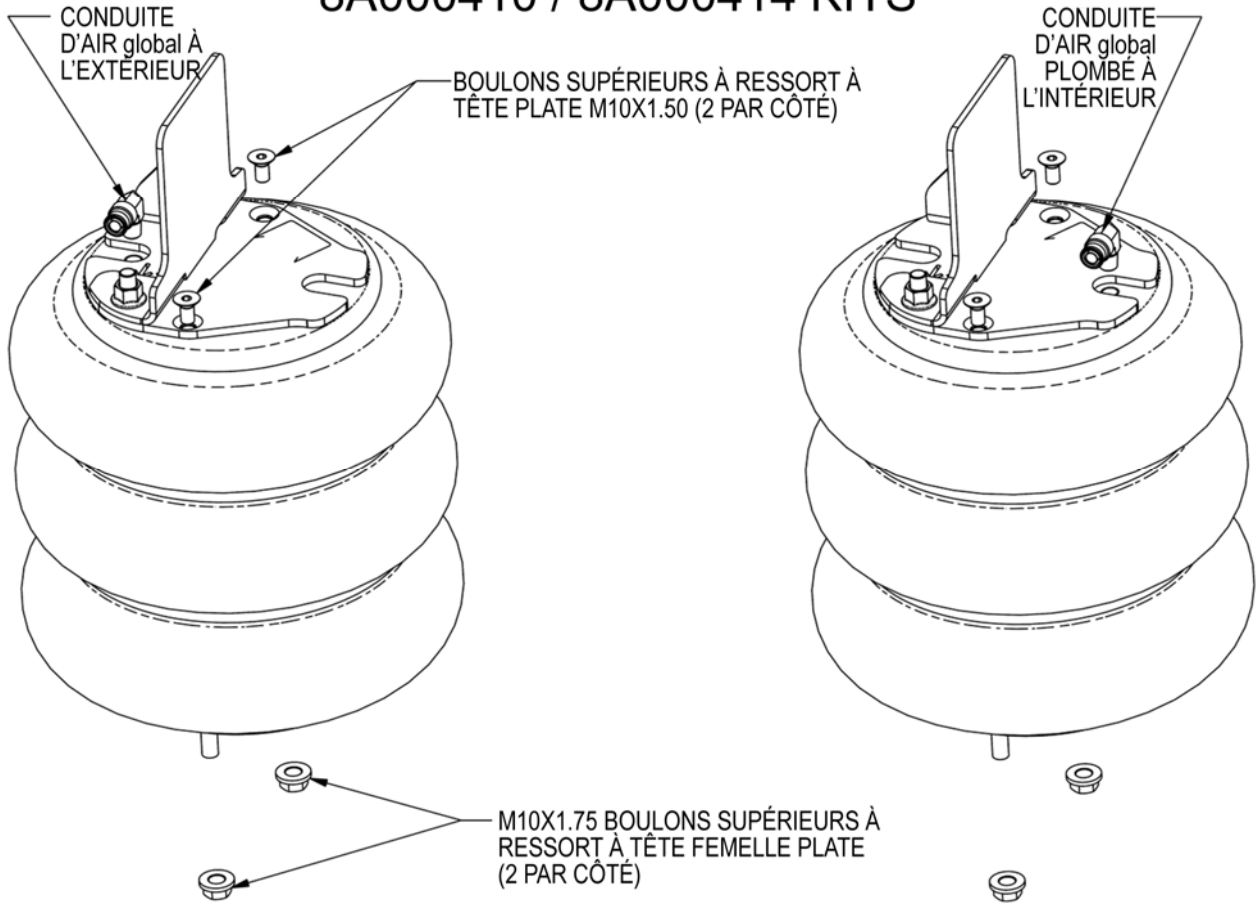
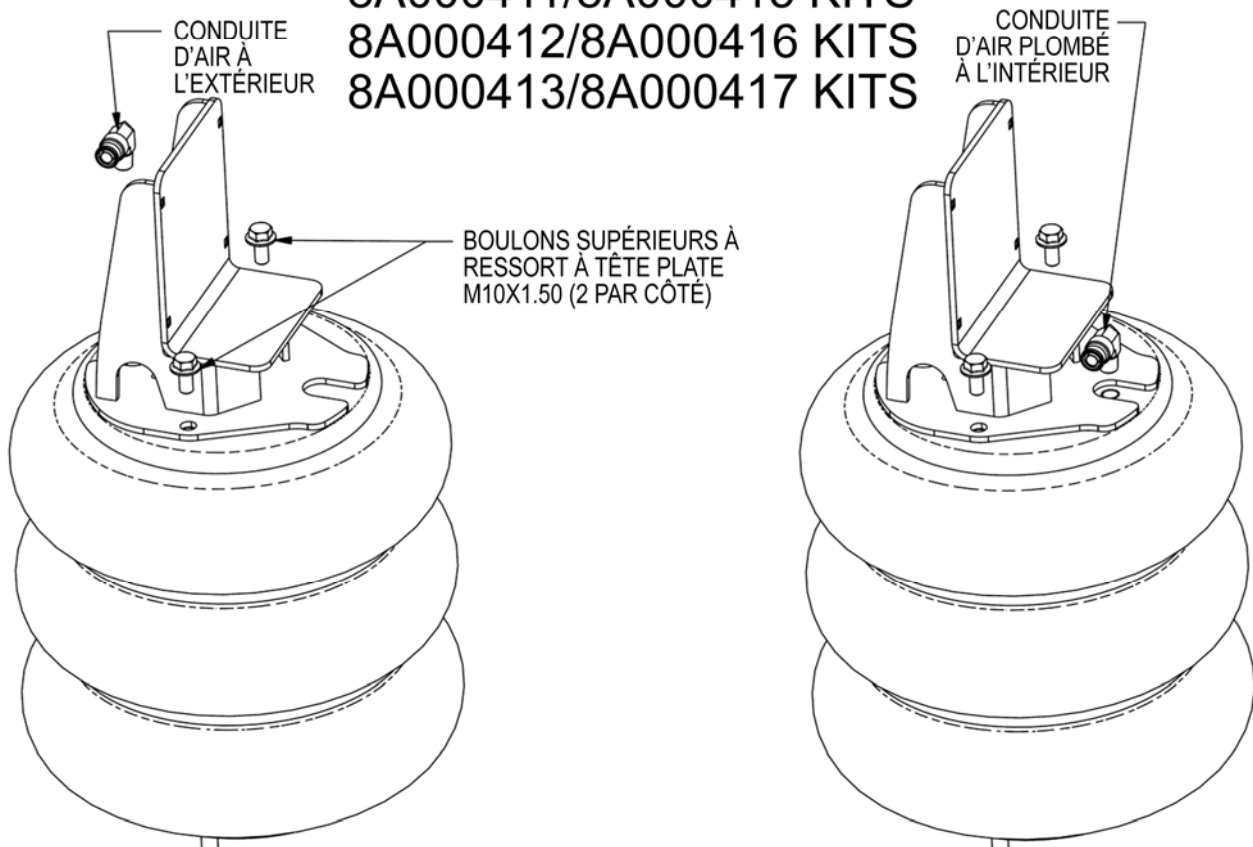


FIG. 6

8A000411/8A000415 KITS 8A000412/8A000416 KITS 8A000413/8A000417 KITS



10. RÉGLAGE DE L'ARRÊT DE DIRECTION

10.1 La vis d'arrêt de direction est préréglée pour un angle de direction maximal disponible sans fond l'amortisseur de direction. Le rayon de direction peut être réduit pour éviter le contact des pneus avec d'autres parties du véhicule en desserrant l'écrou de blocage et en tournant la vis d'arrêt de direction (voir figure 7).

10.2 Après ajustement, serrer l'écrou de bourrage de 5/8 po.

COUPLE 5/8 po écrou à bourrage à 45-60 PI-LB

11. PLOMBERIE

11.1 Reportez-vous aux instructions d'installation fournies avec la trousse de contrôle de l'air choisie.

11.2 Les suspensions sont expédiées par le fabricant avec les ressorts de charge orientés pour la plomberie intérieure. Pour changer l'orientation vers l'extérieur, retirez les attaches de goujons inférieurs sous les ressorts de charge, faites pivoter les ressorts pneumatiques à 180 degrés et réinstallez les fixations des goujons (voir figure 5 et figure 6 à la page précédente pour plus de détails sur les fixations.)

COUPLE M12 fasteners to 20-30 FT-LBS.

NOTE: Contactez le lien pour les options de contrôle aérien disponibles.

12. LISTE DE VÉRIFICATION DE L'ASSEMBLAGE FINAL ET DE L'INSPECTION

___ Toutes les pièces de fixation sont-elles installées et serrées selon les spécifications de couple appropriées ?
NOTE : Toutes les spécifications relatives au couple de fixation sont données pour les fixations sèches sans lubrification supplémentaire requise.

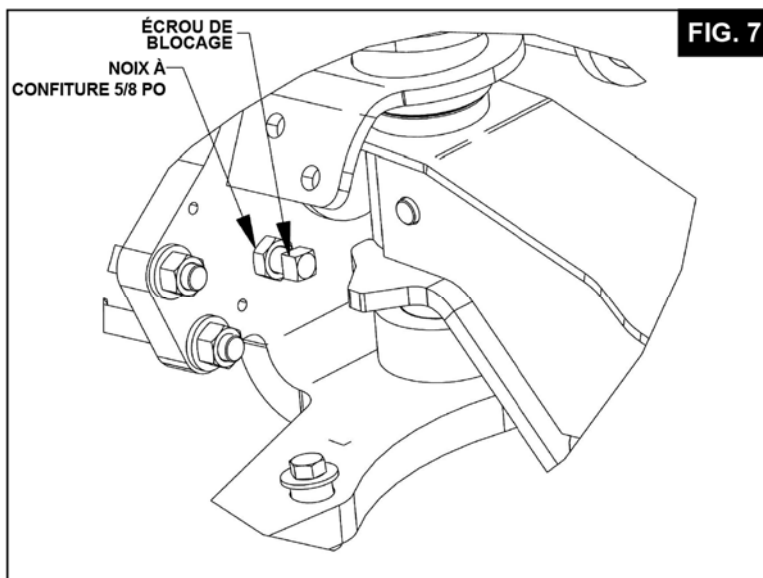
___ Tous les écrous de roue sont-ils serrés aux spécifications de couple recommandées ?

___ L'installation du contrôle aérien a-t-elle été terminée, vérifiée pour détecter les fuites et fonctionner correctement ?

___ La suspension a-t-elle été soulevée, abaissée et inspectée pour déceler toute interférence entre la suspension auxiliaire et les composants du camion ?

___ Les freins et les dispositifs de réglage du mou sont-ils bien réglés, et les roues sont libres de tourner ?

AVIS Lorsque le véhicule est déchargé, les ressorts de manœuvre de l'essieu auxiliaire doivent être limités à un maximum de 20 lb/po2 pour éviter une mauvaise répartition du poids ou des dommages aux composants.





LINK MANUFACTURING, LTD.
223 15E ST. NE
SIOUX CENTER, IA 51250 1-800-222-6283
www.linkmfg.com